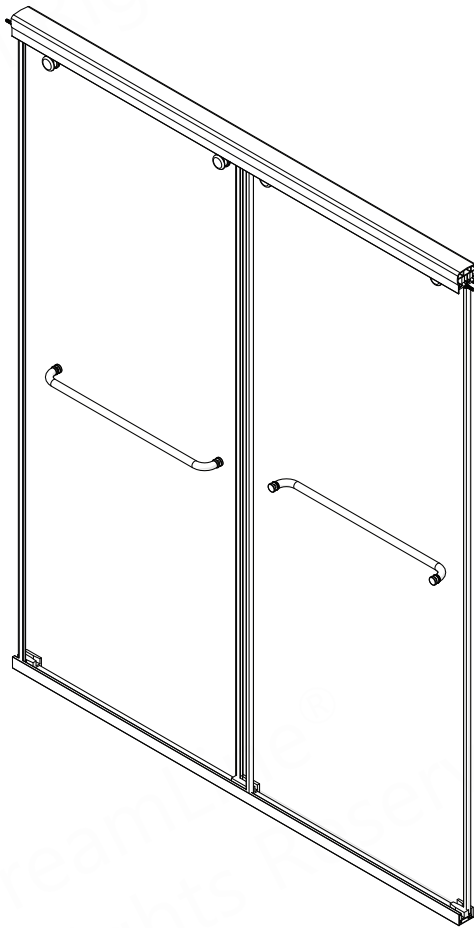




CHARISMA

SHOWER DOOR INSTALLATION INSTRUCTIONS

PLEASE REVIEW THIS ENTIRE MANUAL PRIOR TO INSTALLATION



MODEL #s:
SHDR-1348760-##
SHDR-1360760-##

##=finish
01- Chrome
04- Brushed Nickel

IMPORTANT!

DreamLine® reserves the right to alter, modify or redesign products at any time without prior notice for the purpose of product improvement and customer experience. Please refer to the model's web page on DreamLine.com for the latest technical drawings, installation manuals, warranty information or additional product details.

Do Not Return Product to the Store. Contact DreamLine® with any questions



Questions?

Please Call **DreamLine** Customer Support: **1-866-731-2244**
Hours of Operation M-F 8AM - 6PM EST

Support@DreamLine.com



NOTES

Record the following purchase information for your records or in the event you need to contact ®:

Purchase Order
Number _____

Store/Vendor
Purchased From _____

Installation Date _____

OD Number
(optional) _____
*found on the shipping box or label
if available.

Installed By: _____

SKU Number _____

Table of Contents

Section Title	Page #
Warnings and General Preparaton	2
Model Specific Preparation	3
Tools	4
Detailed Diagram of Shower Door Components	5
Parts List	6-7
Installation Steps	8-19
Door Glass Installation	16
Roller Assembly Adjustment Procedure	16
Towel Bar Handle Installation	16
Product Maintenance	20
Troubleshooting	21
Factory Parts Information	22-23

Symbol Legend



TIP - for ease of installation.



CORRECT - recommended.



NOTE - take note of special feature; additional information.

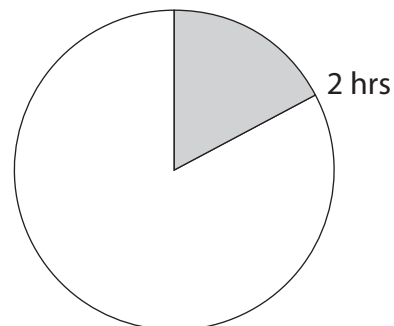


INCORRECT - not recommended.



REQUIRED - requires special attention; signifies a warning.

Average Installation Time





IMPORTANT

- DreamLine® reserves the right to alter, modify or redesign products any time without prior notice for product improvement and customer experience. Please refer to the model's web page on **DreamLine.com** for the latest technical drawings, installation manuals, warranty information or additional product details.
- This product should be installed by someone familiar with the construction requirements for this type of project and the care necessary for the safe installation and operation of the product.
- The safety of any installation is the responsibility of the installer.
- Professional installation recommended. (*All Models*)
- Professional installation required. (*Enigma Series*)
- To prevent damage or serious injury, Do Not lean against the installed panel/door/glass.
- To prevent damage or serious injury: Do Not attempt to lift or move a heavy lite of glass alone. Use an assistant and/or a professional grade glass suction cup.
- The installation of some models may require drilling down into the threshold. Contact the manufacturer of the base, tub, or threshold material with any questions regarding the drilling of holes into their product.
- All drawings in this installation manual are for illustrative purposes only and are not drawn to scale.

GENERAL PREPARATION

- After opening all boxes and packages, read this introduction carefully. Check that all the items are included in the package by marking off the components on the “**Detailed Diagram of Product Components**” page. Examine all boxes and packages for shipping damage. If the unit has been damaged, has a finishing defect, or is missing parts; please contact our Customer Support department within 3 business days of the delivery date. **Please note that DreamLine® will not replace any damaged products or missing parts free of charge after 3 business days or if the product has been installed.** Please contact DreamLine® if you have any questions.
- **Please note that you should refer to your local building codes with questions on installation compliance standards. Building and plumbing codes may vary by location, and DreamLine® is not responsible for code compliance standards for your project and will not accept any returns.**
- If this unit is going to be installed in a new construction, install all the required plumbing and drainage before installing the shower. **Use a competent and licensed (if required by local code) plumber for all plumbing installation.**
- Make sure that prior to beginning the installation, the surfaces are leveled and solid and will be able to support the total weight of the unit. Also make sure the walls are at right angles. Irregular installation surface level, radius corners or improper angle of side walls will result in serious problems for your installation. Please note that some adjustments and drilling will be necessary during the installation process.
- Protect all primary surfaces of the product during installation. Never set your glass down directly onto a tile floor. Leave corner protectors in place until it is necessary to remove them. Always use a piece of wood or cardboard to protect the bottom edge and corners of the glass prior to and during installation.
- This unit must be installed upon a finished threshold and against finished walls.
- *DreamLine® shower doors are not designed to be installed into a fiberglass surround due to the radius corners and lack of a solid surface to mount the hardware.*

TEMPERED GLASS WARNING

- Your Shower Door Glass Could Shatter Without Warning if Improperly Installed or Mishandled
- Do Not install or operate a shower door if the glass has chipped corners, slivered edges or is otherwise damaged and/or has been dropped or banged into a hard surface such as tile, marble or glass.
- **The main causes of tempered glass breakage are:**
 - Improper handling, storage or installation
 - Misuse/abuse
 - Lack of maintenance
 - Failure to replace damaged glass
 - **Improper handling during storage, unpacking and installation:**
 - Corners and edges are the most susceptible area to damage on a lite of tempered glass and should be protected and handled with care during storage, unpacking, installation and operation. A concentrated point of pressure or impact with a surface harder than itself may cause the tempered glass to shatter. The tempered glass may release immediately, within several hours or even days later.
 - **Incorrect installation of door hardware, rollers, hinges, channels, stopper or glass:**
 - Improper installation may include: loose hardware and/or lack of proper gaskets between the hardware and glass. Additionally, improper alignment of guide rails, wall profiles or other hardware during installation or operation may place stress on the glass edges and cause it to break.
 - This product must be installed by a professional and experienced installer familiar with the safe handling of tempered glass.
 - **Improper use of this product:**
 - Aggressively opening or closing the door may cause trauma to the glass, which can lead to breakage. This may occur immediately or hours or even days later.
 - **The shower door hardware and glass should be inspected periodically:**
 - Instruct the homeowner how to perform a periodic inspection of the shower hardware and glass - some minor adjustments may be necessary based upon the use (or misuse) of the shower door. Ensure that the hardware remains tight and that the door alignment and operation are correct. Any adjustments should be made upon discovery to prevent damage to the product.
 - Additional considerations should be given to the installation of frameless tempered glass products in households with young children or an elderly person due to an increased chance of improper handling. In such cases, alternatives such as shower curtains or grab bars should be considered.

WARNING: TO AVOID THE RISK OF DAMAGE OR INJURY:

- **Follow all recommendations and requirements as shown in the installation instructions.**
- Perform a thorough inspection of the glass and all parts for any damage prior to installation. Any damage to tempered glass can cause breakage. **Do Not install damaged glass!**
- Do Not install or operate a shower or tub door if the glass has chipped corners, slivered edges or is otherwise damaged. Do Not install or operate a shower or tub door that has been dropped or banged into a hard surface such as tile, marble or glass.
- **CAUTION:** Contact with any hard surface can damage tempered glass and cause it to shatter.
- This product uses tempered glass. Glass cannot be cut after it has been tempered. **Do Not attempt to cut tempered glass.**
- DreamLine® Glass Shower doors, Tub doors, Inline panels, and Return panels can shatter due to improper handling or lack of maintenance. Conduct periodic inspections of glass and all parts for possible damage, missing or loose parts.
- Always wear proper safety equipment such as: safety goggles, work gloves and appropriate footwear during the installation process.
- **WARNING. Risk of leakage and/or damage.** Follow all instructions regarding the application of silicone sealant or caulk. Allow 24 hours for the sealant to cure before the initial use of the shower or tub product. Follow the silicone manufacturer's recommendations regarding the use of their product.
- **Thoroughly read these instructions before installing or using this product.**
- **Leave this manual for the end-user of the product.**



This product should be installed by someone familiar with the construction requirements for this type of project and the care necessary for the safe installation and operation of the product.

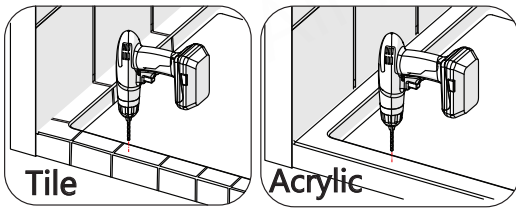
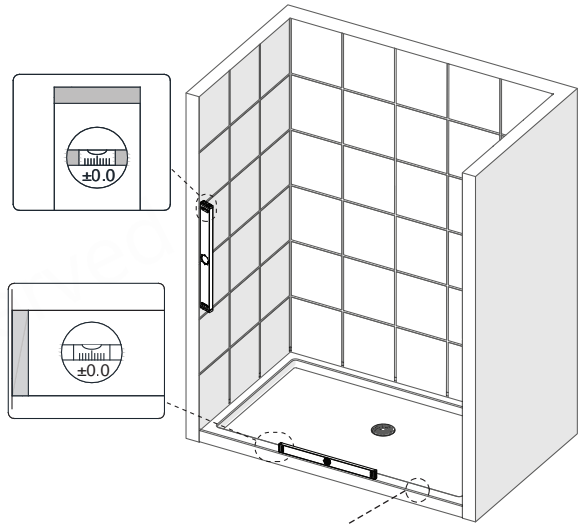


Model Specific Preparation

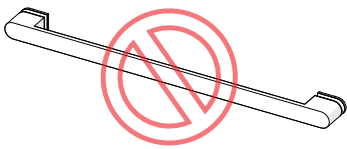
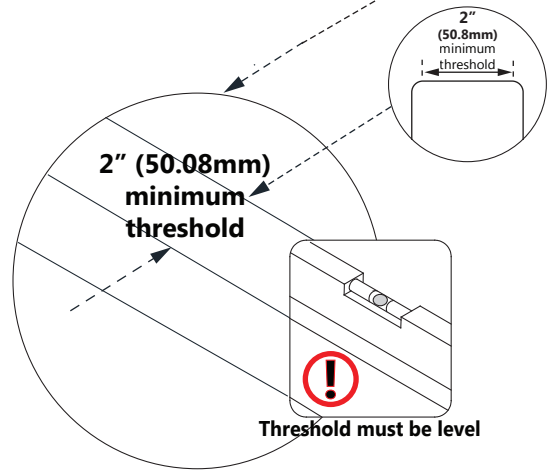
REQUIRED:

No Out-of-Plumb Adjustment; Verify threshold and walls with a level

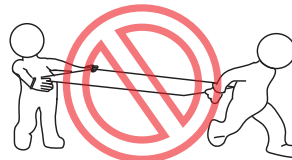
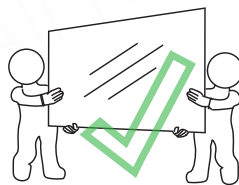
Threshold must be level



Contact the manufacturer of the base, tub or threshold material with any questions regarding the drilling of holes into their product.



DO NOT install the Towel Bars onto the Door Glass until instructed. DO NOT attempt to lift the glass with the Towel Bars. This could result in damage to the glass and/or serious personal injury. Always use an assistant or a professional-grade glass suction cup when handling heavy glass.

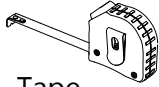


Professional installation recommended. Two installers required.

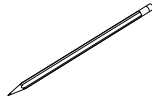
Tools



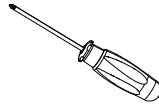
Level



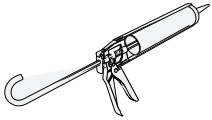
Tape Measure



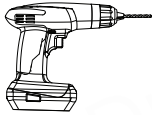
Pencil



Phillips Screwdriver

Drill bit
5/16"
(8mm)Drill bit
3/16"
(5mm)Drill bit
1/8"
(3mm)

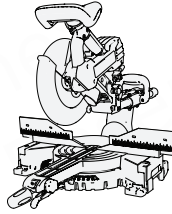
Silicone



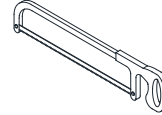
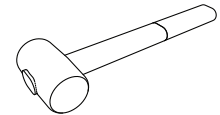
Power Drill



Power Driver



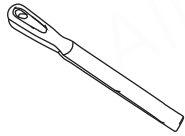
Compound Miter Saw

**OR** Hack Saw

Mallet



Painter's Tape



Metal File

Measure the finished opening before proceeding with the installation to be sure that the correct model size has been ordered.

Prior to installation, cover the shower/tub drain with tape to prevent losing screws or small parts.

Verify that the correct model size has been ordered; measure the finished opening **before** proceeding with the installation.

TIP

Confirm that the finished walls are plumb and the threshold is level and pitched into the shower area.

Use a good quality waterproof, mildew-resistant 100% silicone caulk.

Cover the shower/tub drain with tape prior to installation to prevent the loss of screws or small parts.

To prevent stripping the screw heads, set screw gun clutch to a low setting when installing screws and bolts.

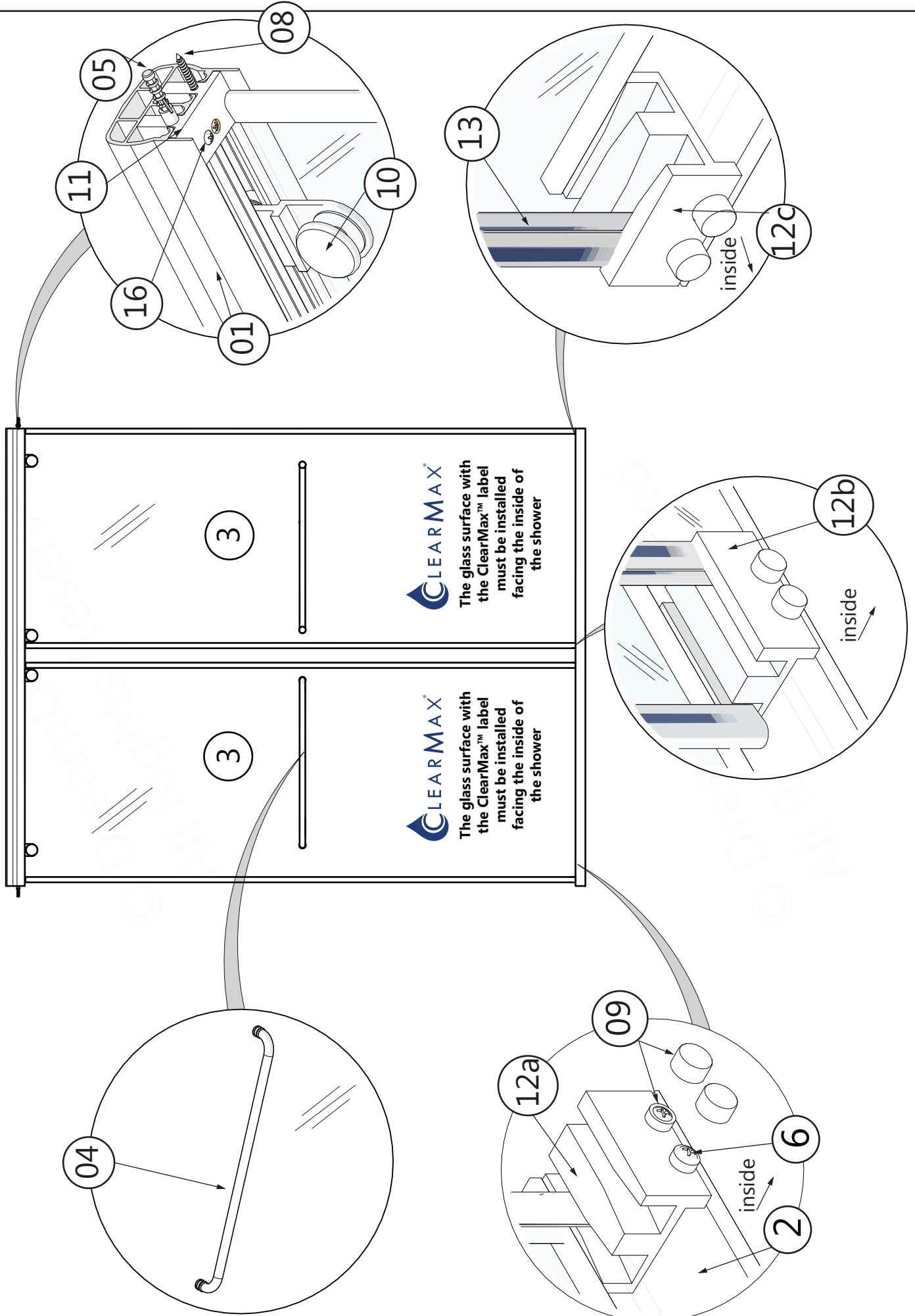
Use a type of drill bit that is appropriate for drilling into the finished surface material.

NOTE

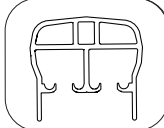
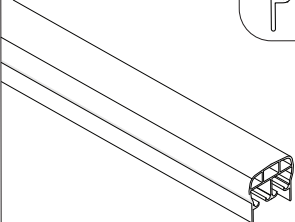
Unpack your unit carefully and inspect it. Lay it out and identify all parts using the **Detailed Diagram** on page 5; and packing list in this manual as a reference. Before discarding the carton, check for small hardware bags that may have fallen to the bottom of the box. If any parts are damaged or missing, please contact DreamLine® for replacement. The shipping boxes may contain extra parts not used in your model configuration.

Retain these installation instructions for future reference.

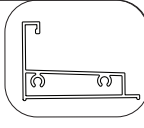

Detailed Diagram of Shower Door Components



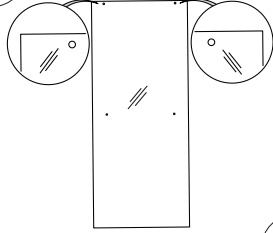
Parts List

01  

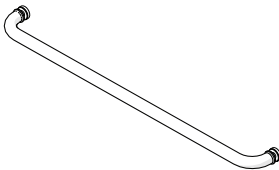
Top Guide Rail **x1**

02  

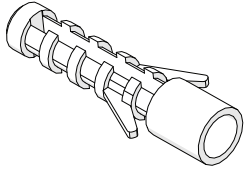
Bottom Guide Rail **x1**

03 

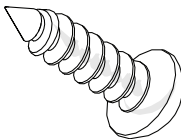
Door Glass **x2**

04 

Towel Bar Handle **x2**

05 

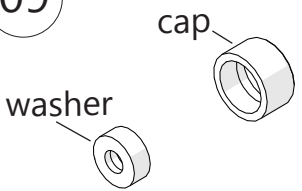
Wall Anchor, 8mm **x4**

06 

ST4.0 x16mm
Pan Head Screw **x6**

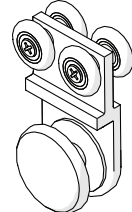
08 

ST4.0 x40mm
Pan Head Screw **x4**

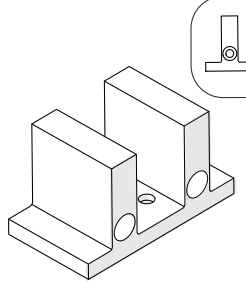
09 

cap
washer

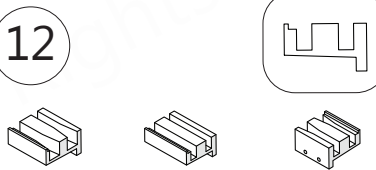
Decorative Cover
for Guide Block **x6**

10 

Roller Assembly **x4**

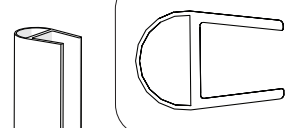
11 

Guide Rail Bracket **x2**

12 

Left 12a Middle 12b Right 12c

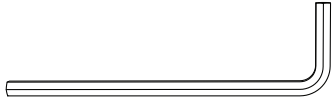
Guide Block
(left/middle/right) **x3**

13 

Bumper Vinyl Strips **x4**

Parts List

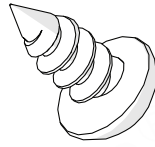
15



3mm Hex Wrench

x1

16



ST4.0 x10mm
Pan Head Screw

x4

1

Installation Steps

NOTE

Measure and use a level to check for any out-of-plumb condition.

If the Finished Opening Width (W) is **less than 48" (1219.2mm) or 60" (1524mm)**, the **Top Guide Rail (#01)** and the **Bottom Guide Rail (#02)** must be cut to:

W = Finished Opening (-) 1/16" (1.5mm)

W-Top
*at model height
_____ "

W-Middle
_____ "

W-Bottom
_____ "

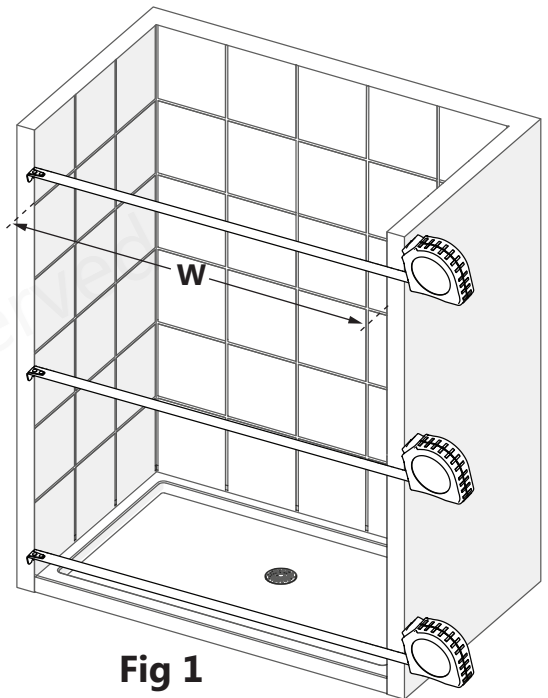


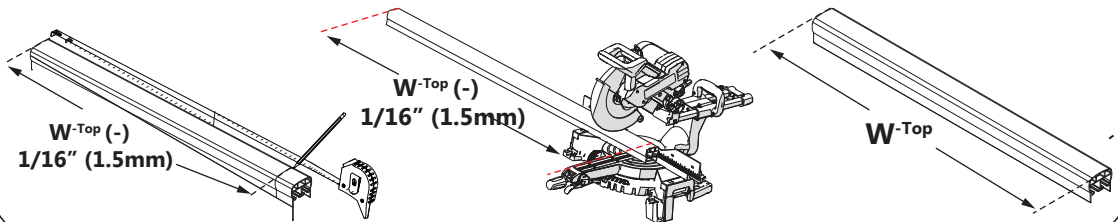
Fig 1

Fig 1a

W-Top *at model height _____ " (-) 1/16" = (L) *finished cut length _____ "



The **Top Guide Rail (#01)** fits wall-to-wall and can be cut from either end.



Use a metal file to deburr the cut ends.

Parts Needed

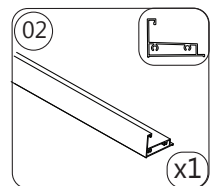
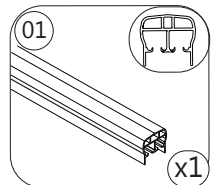


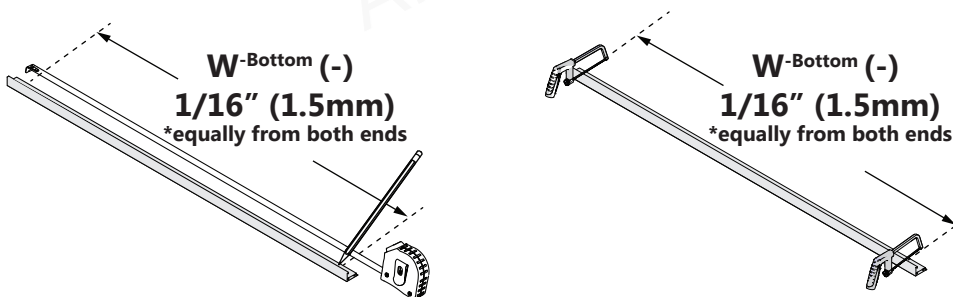
Fig 1b

W-Bottom _____ " (-) 1/16" = (L) *finished cut length _____ "

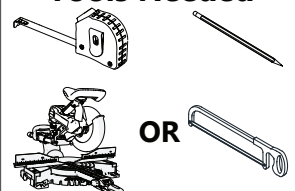
*cut equally from both ends



The **Bottom Guide Rail (#02)** must be cut equally from both ends in order to keep the center guide holes centered.



Tools Needed





Before marking its desired position, make sure the **Bottom Guide Rail (#02)** is parallel to the front edge of the shower base or tub deck.



Use a good quality waterproof, mildew-resistant 100% silicone caulk.

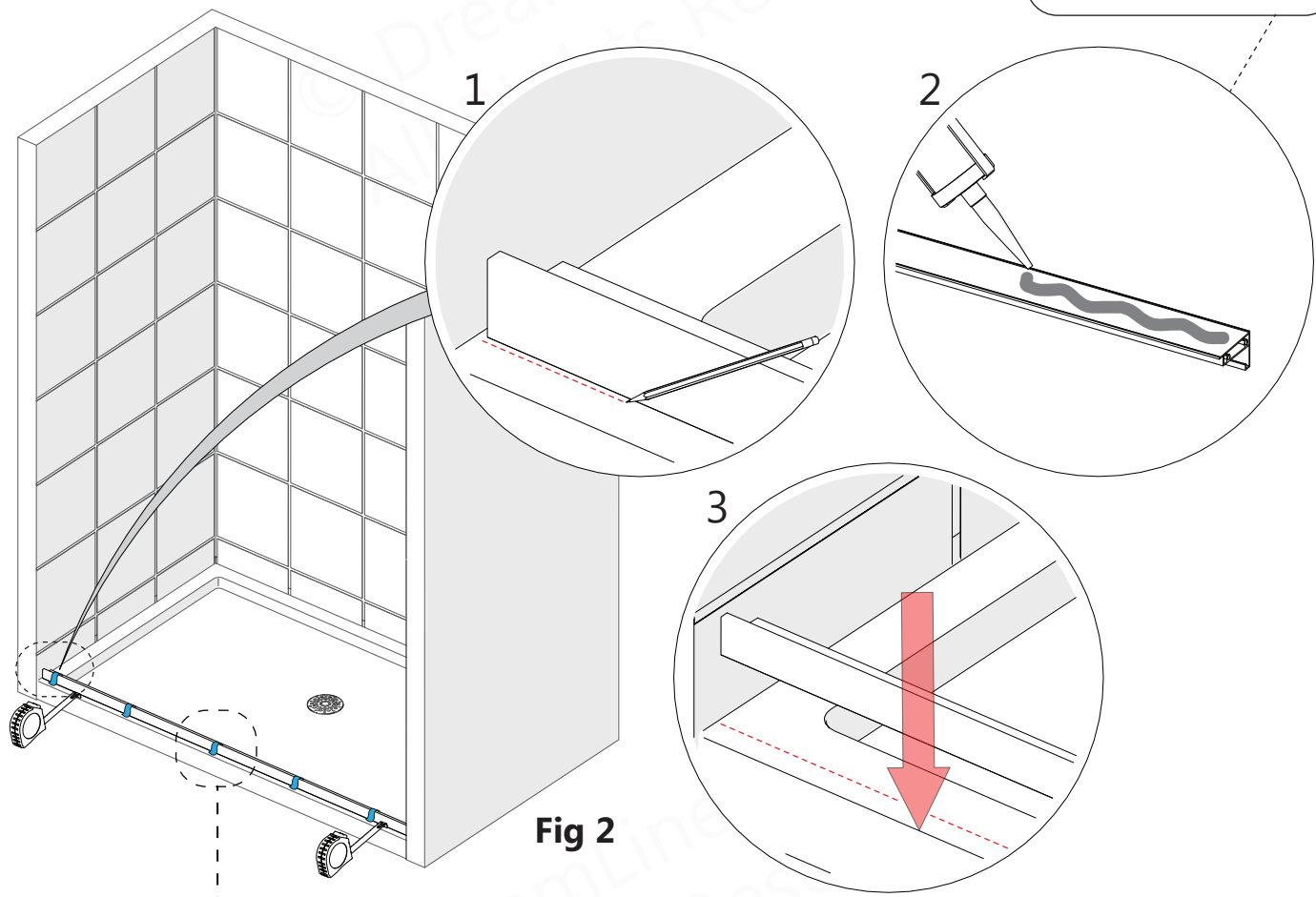
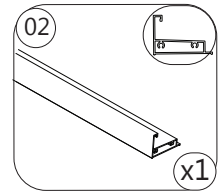


Fig 2

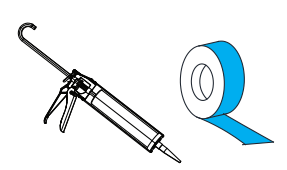


Use painter's tape to secure the **Bottom Guide Rail (#02)** in place while the silicone caulk cures.

Parts Needed

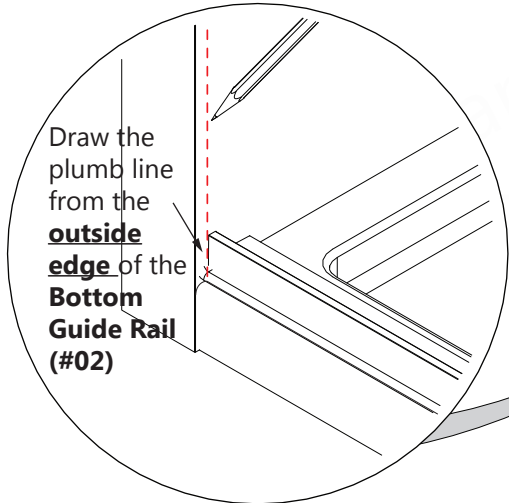


Tools Needed



3

Plumb



Draw the plumb line from the **outside edge** of the **Bottom Guide Rail (#02)**

74"
(1880mm)
from the base

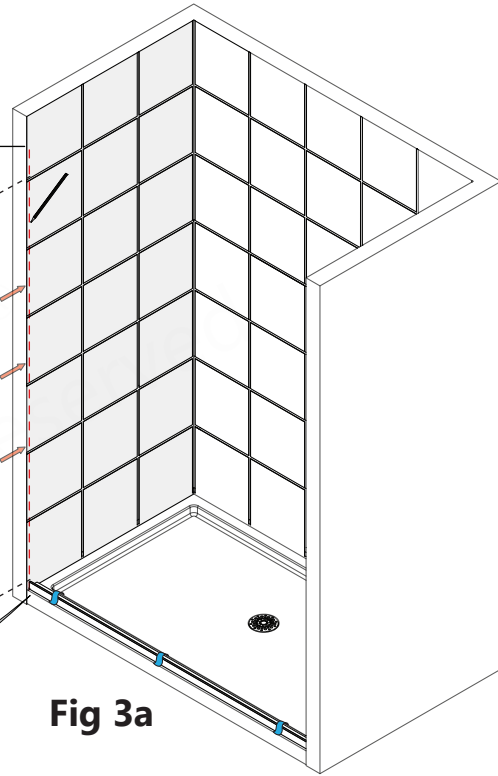
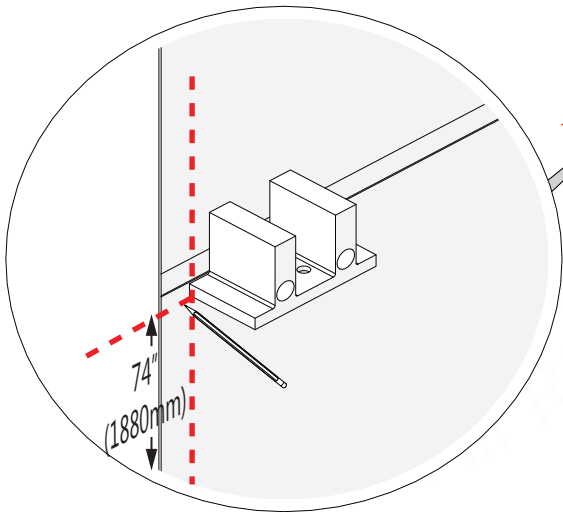


Fig 3a



From the base or threshold deck, draw a plumb line up at least **74" (1880mm)**. *see **Fig 3a**



74"
(1880mm)

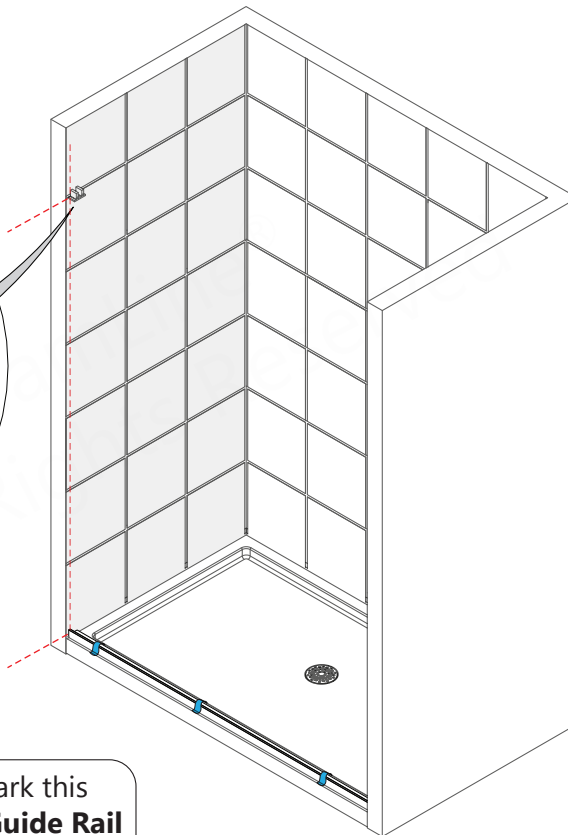
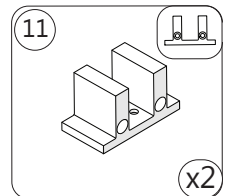


Fig 3b



At the 74-inch measurement, mark this location to properly install the **Guide Rail Bracket (#11)**. *see **Fig 3b**

Parts Needed



Tools Needed



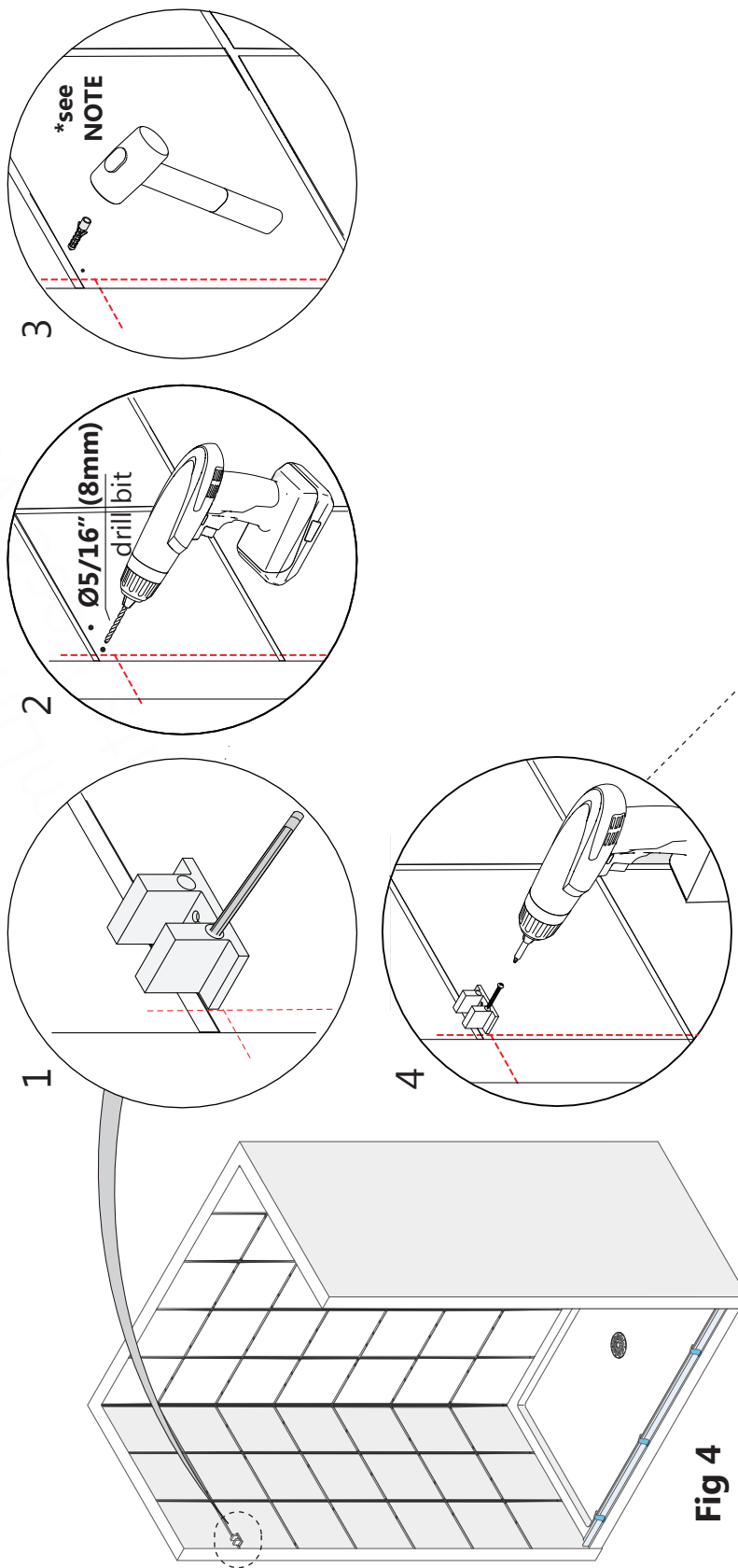


Fig 4

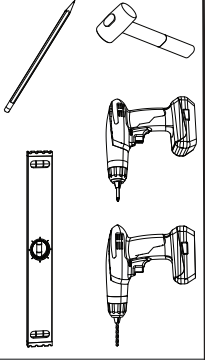
Parts Needed

- 11
- x2
- 01
- x1
- 08
- x4
- 05
- x4

TIP
To make installation easier, apply a small amount of dish soap to the screw threads. To prevent stripping or damaging the screw heads, use low torque and drill correct-sized pilot holes for all screws. Use the correct drill bit type for the surface material.

- NOTE**
- **If a stud is present behind the wall:** drill a Ø3/16" (4mm) hole up to the stud, drill an Ø1/8" (3mm) pilot hole into the stud and use the **ST4.0 x 40mm Pan Head Screws (#08)**
 - OR**
 - **If no stud is present behind the wall:** drill a Ø5/16" (7mm) hole and insert the **Wall Anchors, 8mm (#05)** and use the **ST4.0 x 40mm Pan Head Screws (#08)**.

Tools Needed



5

Use a level and the cut **Top Guide Rail (#01)** to confirm the installation height of the second bracket and mark it **before** drilling on the opposite wall.

NOTE

Level

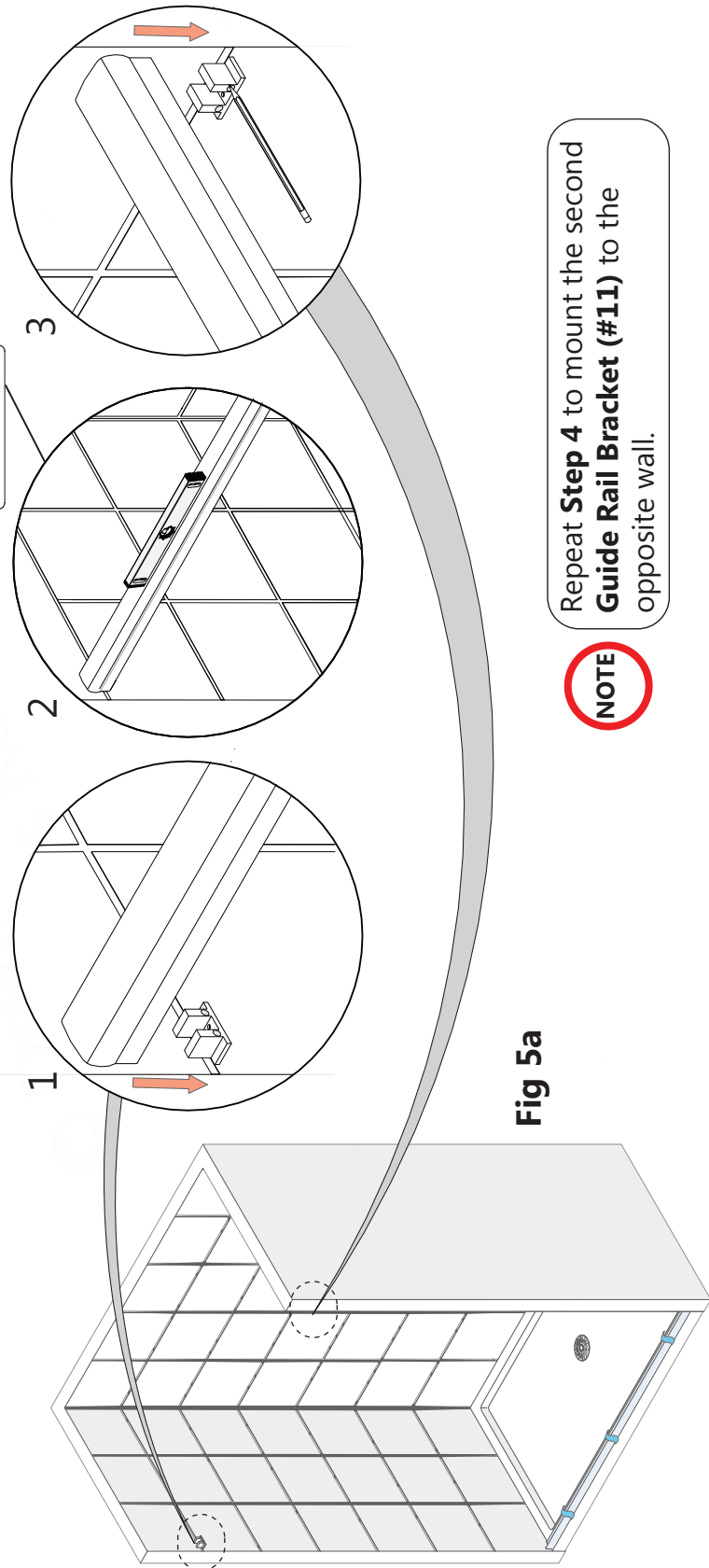
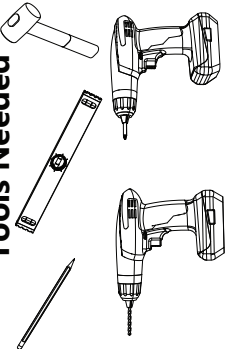


Fig 5a

Parts Needed

- 11 (x2)
- 01 (x1)
- 08 (x4)
- 05 (x4)

Tools Needed



Repeat **Step 4** to mount the second **Guide Rail Bracket (#11)** to the opposite wall.

NOTE

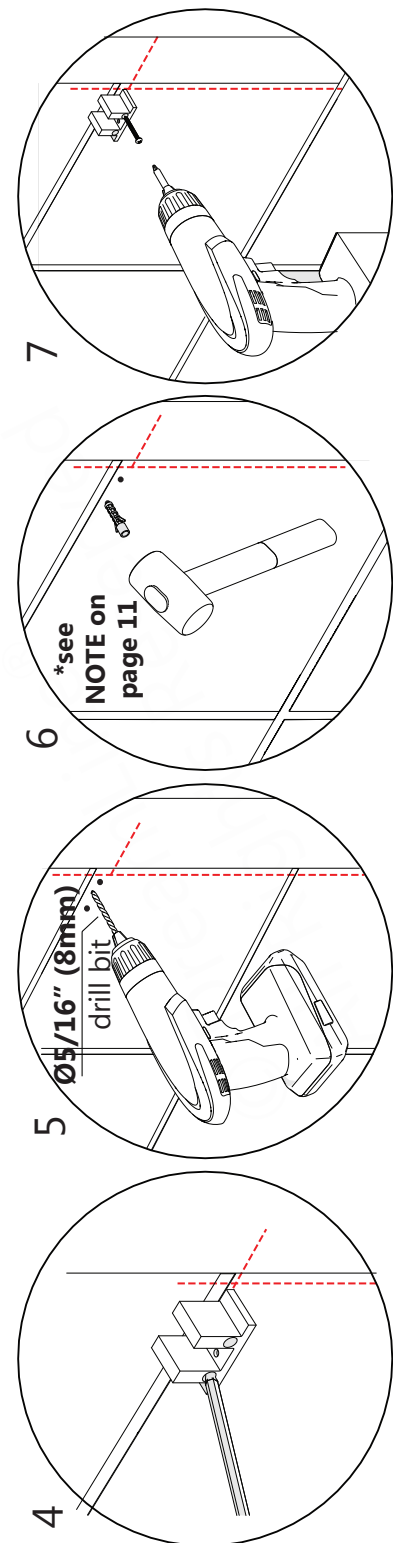


Fig 5b

6

NOTE

Ensure that all **Roller Assemblies (#10)** face towards the outside of the shower and only two roller assemblies are inserted into each Top Guide Rail channel. see **Fig 6.1-2**

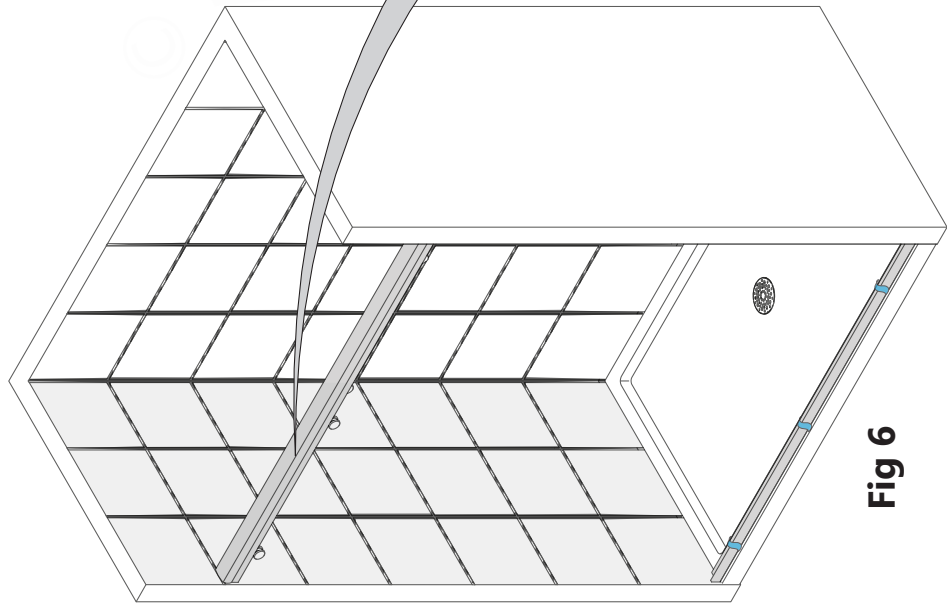
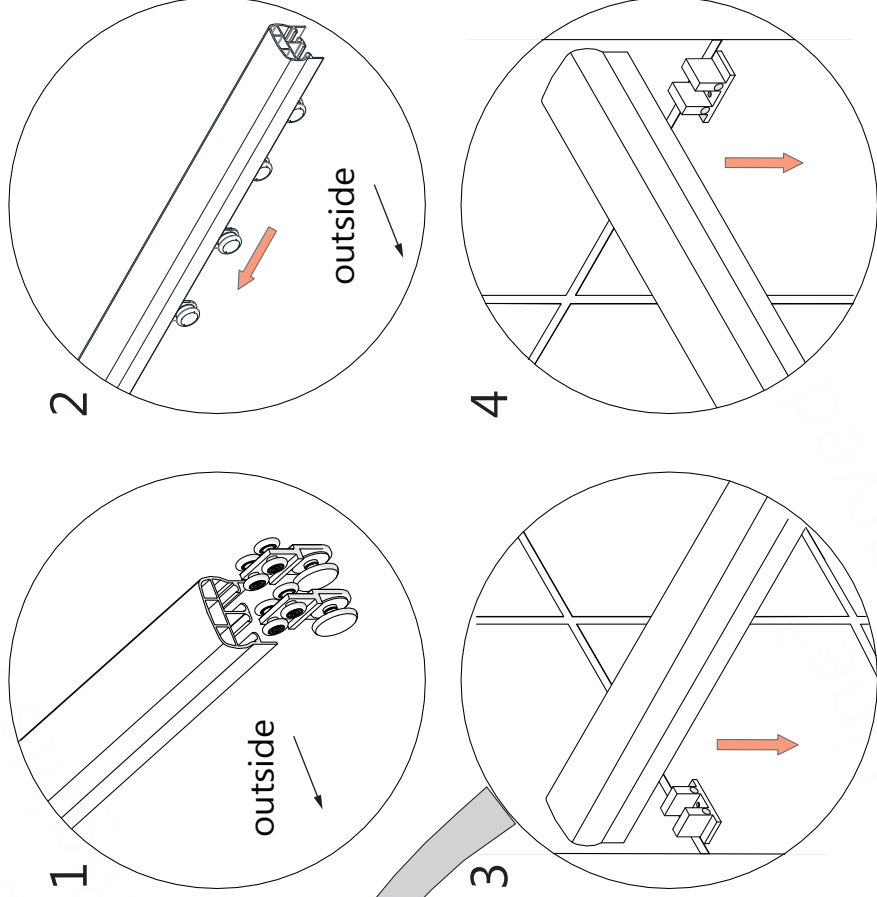
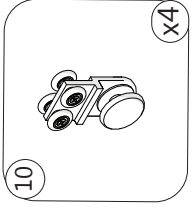
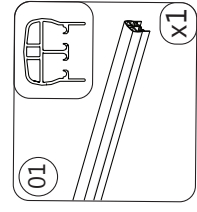


Fig 6



Parts Needed



The Top Guide Rail (#01) must be installed level and parallel to the Bottom Guide Rail (#02) to ensure proper operation of the doors!



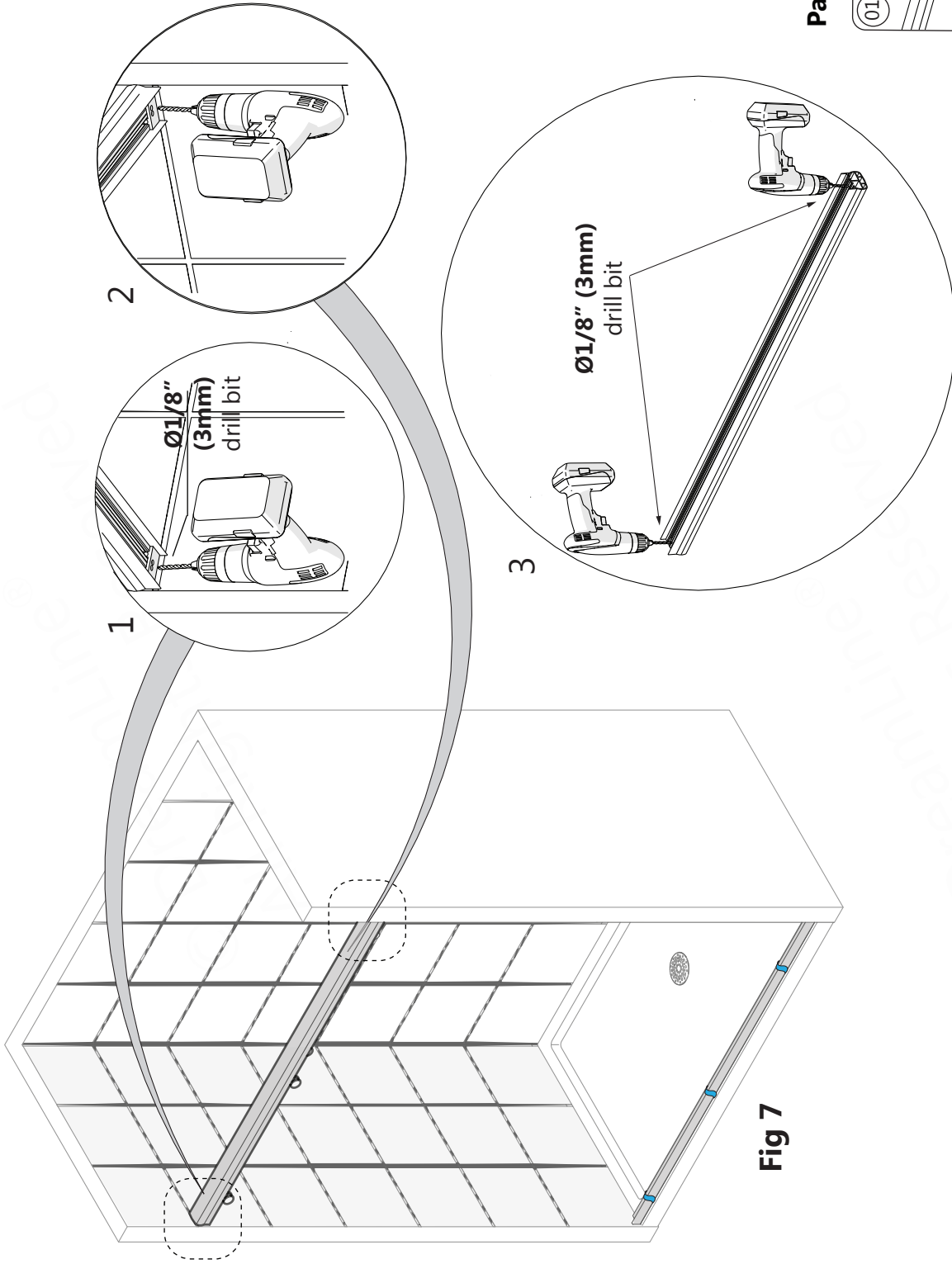
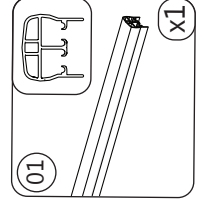


Fig 7

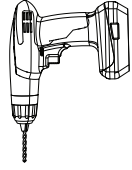
Use a **Ø1/8" (3mm) drill bit** to mark the drill holes in the underside of the **Top Guide Rail (#01)** through the holes in the bottom of the brackets. Remove the **Top Guide Rail (#01)** and drill the holes using the same **Ø1/8" (3mm) drill bit**.

NOTE

Parts Needed



Tools Needed



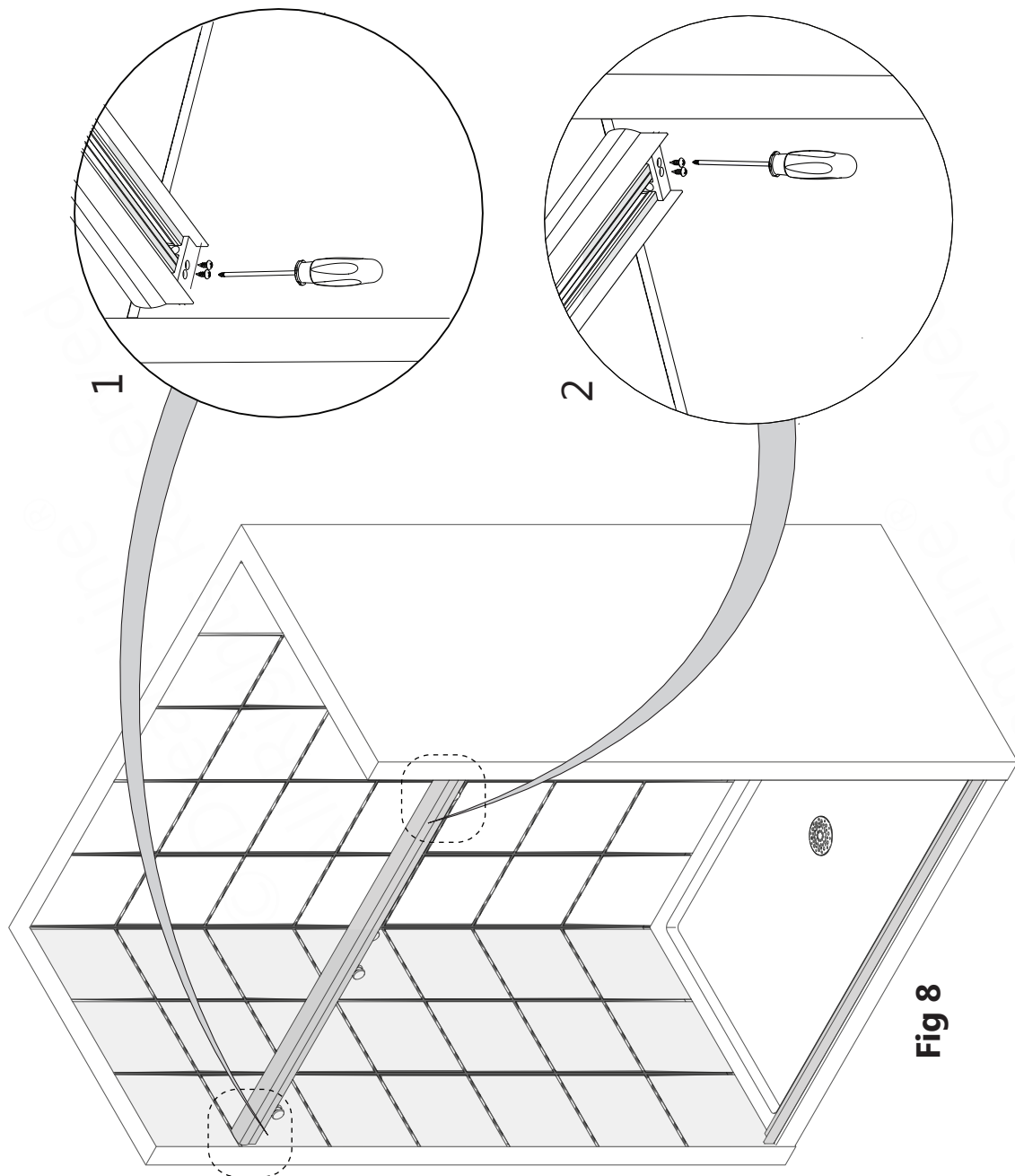



Fig 8

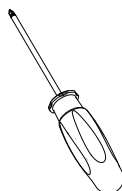
Parts Needed

16



x4

Tools Needed



NOTE Secure the **Top Guide Rail (#01)** to both of the **Guide Rail Brackets (#11)** with the **ST4.0x10mm Pan Head Screws (#16)**.

9



To avoid glass-to-metal contact, use **0-5/16"** wedged shims when installing the **Door Glass (#03)** onto the **Roller Assemblies (#10)**!

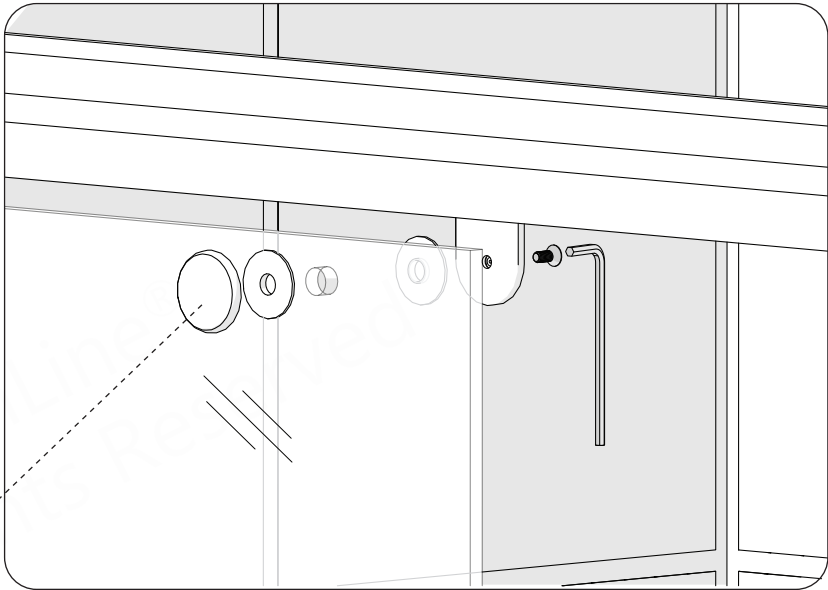


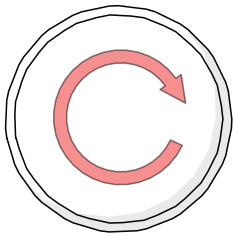
Fig 9



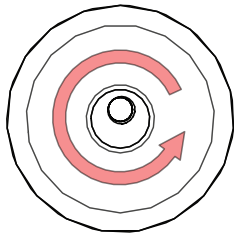
Secure the **Door Glass (#03)** onto the **Roller Assemblies (#10)** and fasten them with the provided bolts.

Fig 9a

Roller Adjustment Disk



view from outside



view from inside

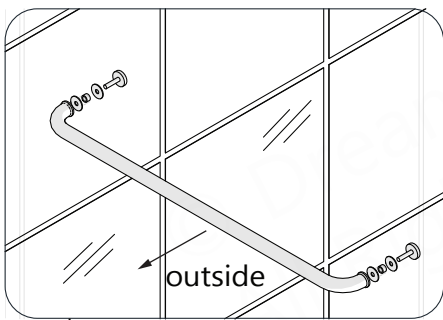
Rotating the Roller Assembly (#10) Outer Disk:

The disk bolt is positioned off-center by 1/8" to provide for some minor adjustments to the **Door Glass (#03)** to achieve a better seal with the wall.

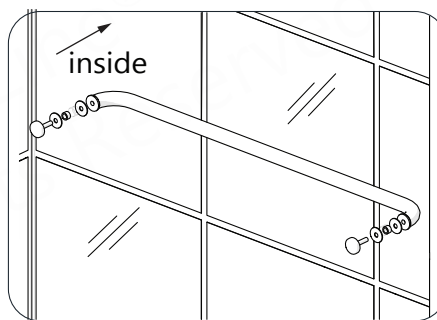


An assistant is needed to support the weight of the glass when loosening the bolt, rotating the disk and re-tightening the bolt.

10



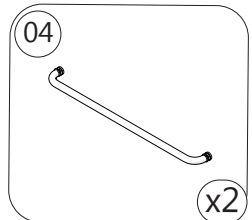
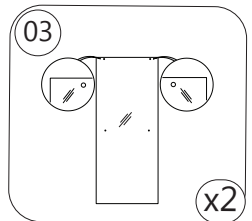
On the outside-facing **Door Glass (#03)**, the **Towel Bar Handle (#04)** is facing outward.



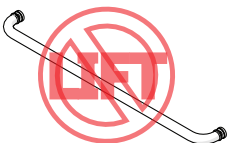
On the inside-facing **Door Glass (#03)**, the **Towel Bar Handle (#04)** is facing inward.

Fig 10

Parts Needed



Tools Needed



DO NOT attempt to lift the glass with the Towel Bars (#04). This could result in damage to the glass and/or serious personal injury. Always use an assistant or a professional-grade glass suction cup when handling heavy glass.

11

NOTE

Slide the **Door Glass (#03)** to the right and secure the left **Guide Block (#12a)** to the left end of the **Bottom Guide Rail (#02)**. Drill **Ø1/8" (3mm)** holes in the **Guide Block (#12)** and fasten the **Guide Block (#12)** with the **ST4.0 x16mm Pan Head Screws (#06)**.

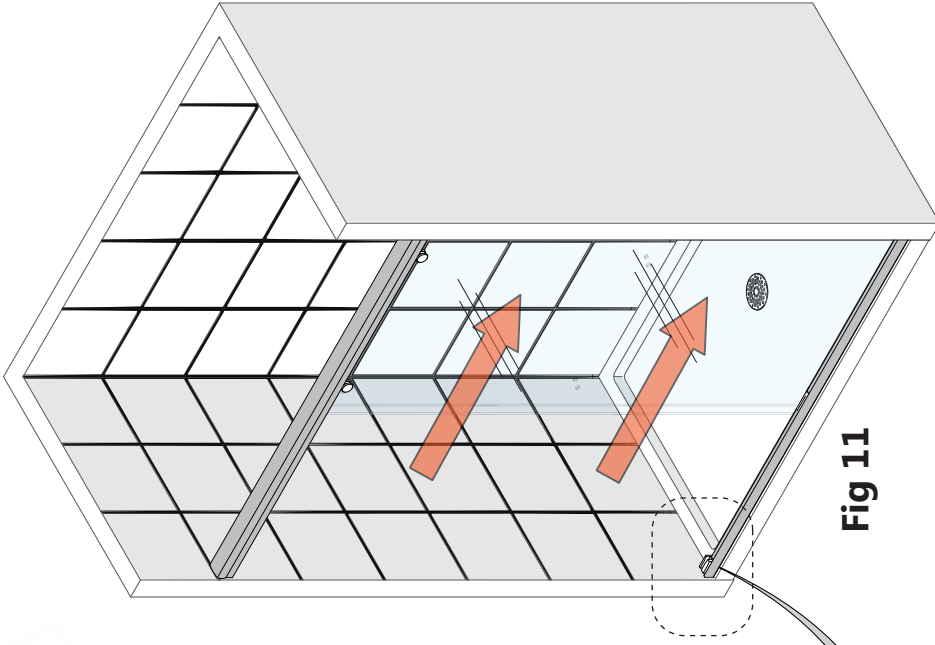
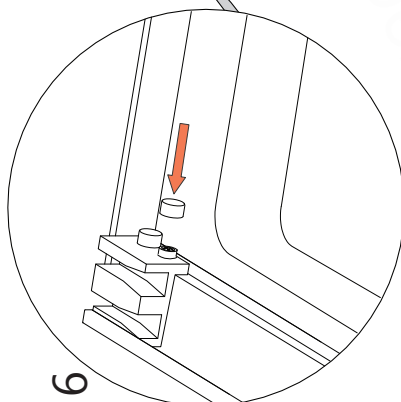
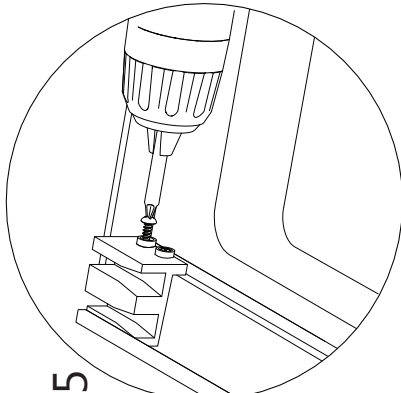
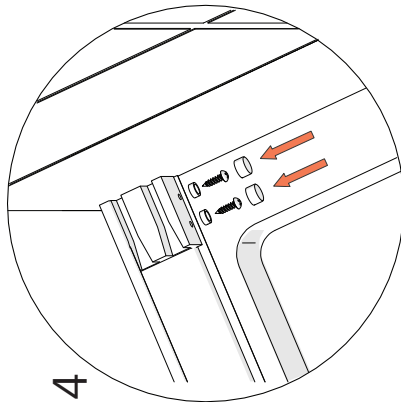
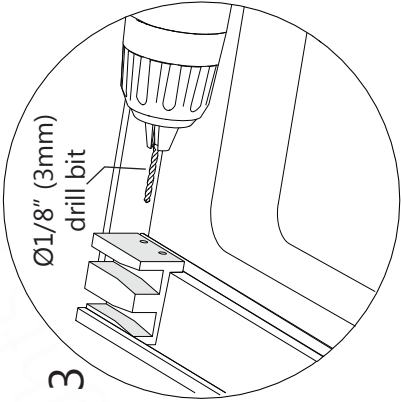
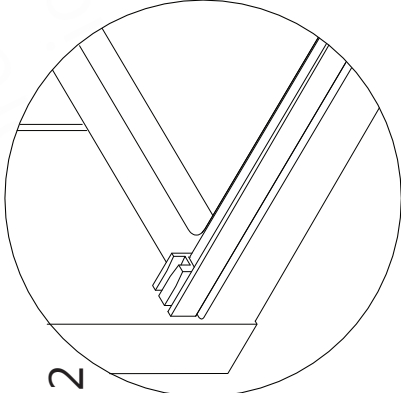
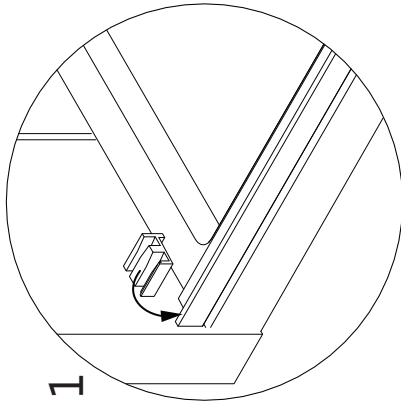
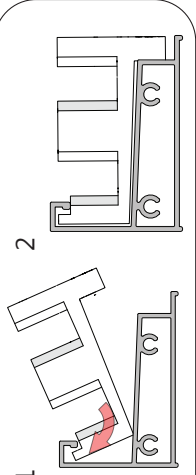
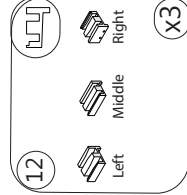


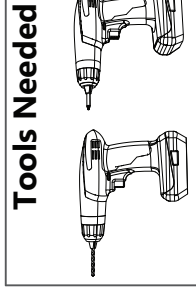
Fig 11

Parts Needed



TIP
Be sure the **Guide Blocks (#12)** are inserted under the lip on the **Bottom Guide Rail (#02)** prior to drilling screw holes.

! **ST4.0x16mm Round Head Screw (#06)**
Decorative Cap (#14)
Washer (#14)
Ensure the Decorative Cover (#14) washer is present when securing the Guide Blocks with the ST4.0x16mm Pan Head Screws (#06)!



12

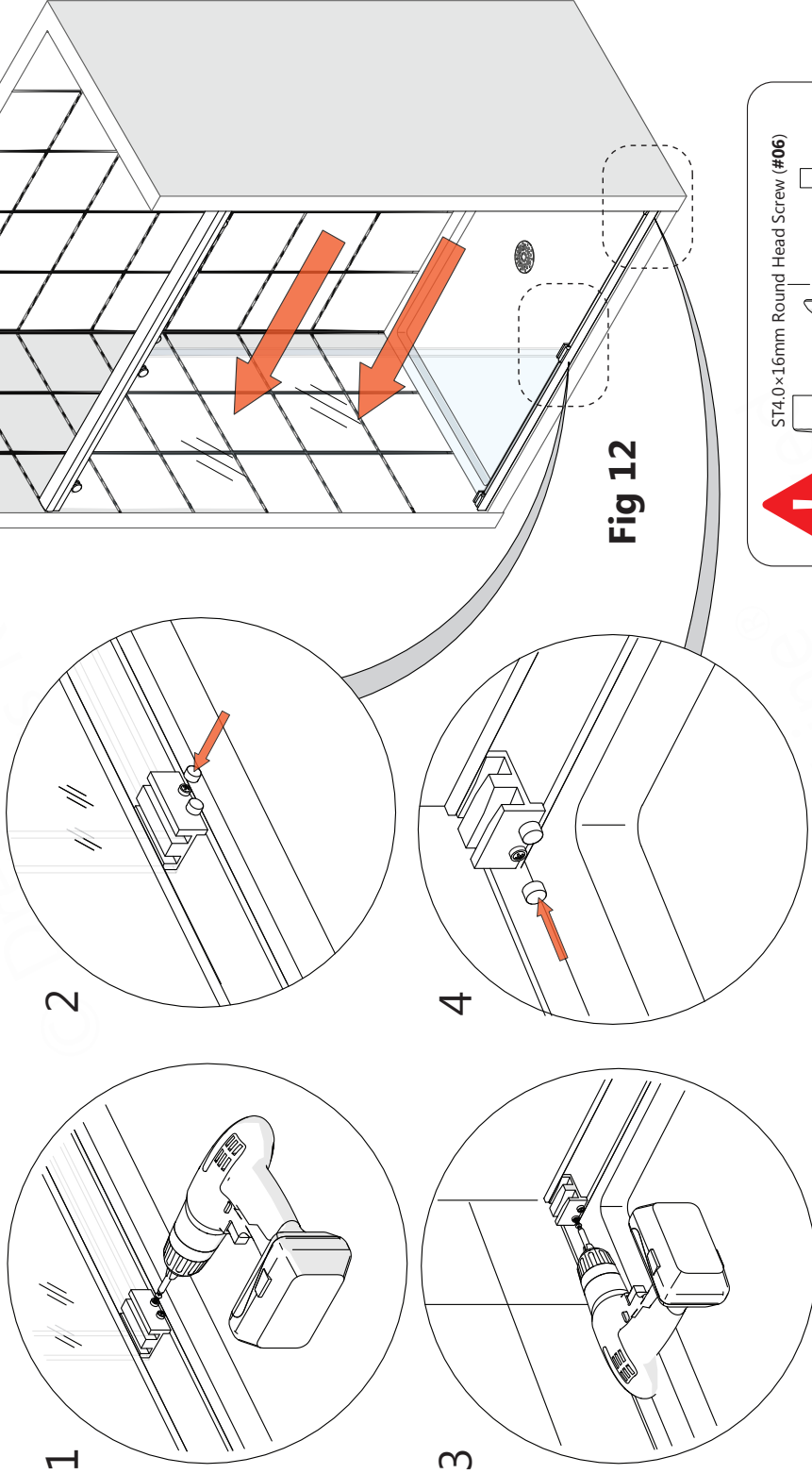
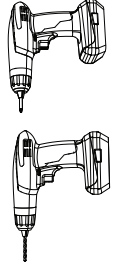


Fig 12

Parts Needed

- 12 Left
- 12 Middle
- 12 Right
- X3
- 06 ST4.0x16mm Round Head Screw (#06)
- 09 cap
- 09 washer
- X6
- X6

Tools Needed



! ST4.0x16mm Round Head Screw (#06)

Decorative Cap (#14)

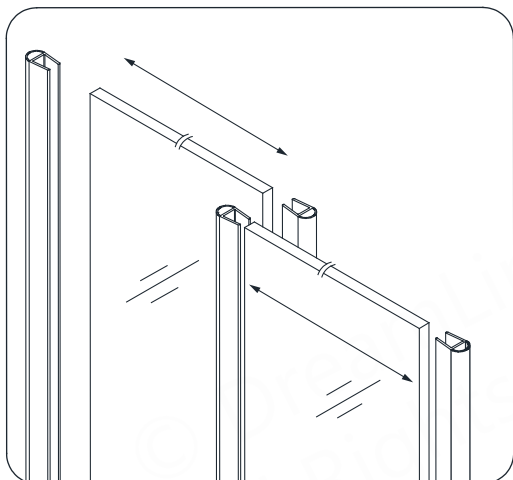
Washer (#14)

Ensure the Decorative Cover (#14) washer is present when securing the Guide Blocks with the ST4.0 x 16mm Pan Head Screws (#06)!

Move the **Door Glass (#03)** to the left and repeat the instructions from **Step 11** to install the **Middle (#12b)** and **Right (#12c) Guide Blocks** into the pre-drilled holes in the **Bottom Guide Rail (#02)** using the **ST4.0x16mm Pan Head Screws (#06)**. Cover the **Guide Block** screw heads with the **Decorative Cover (#09) caps**.

NOTE

13



Trim the bottom of the **Bumper Vinyls (#13)** to prevent binding in the guide blocks when installing them on the vertical edges of the **Door Glass (#03)**.

Fig 13

14



The surfaces need to be clean and free of debris before applying silicone.

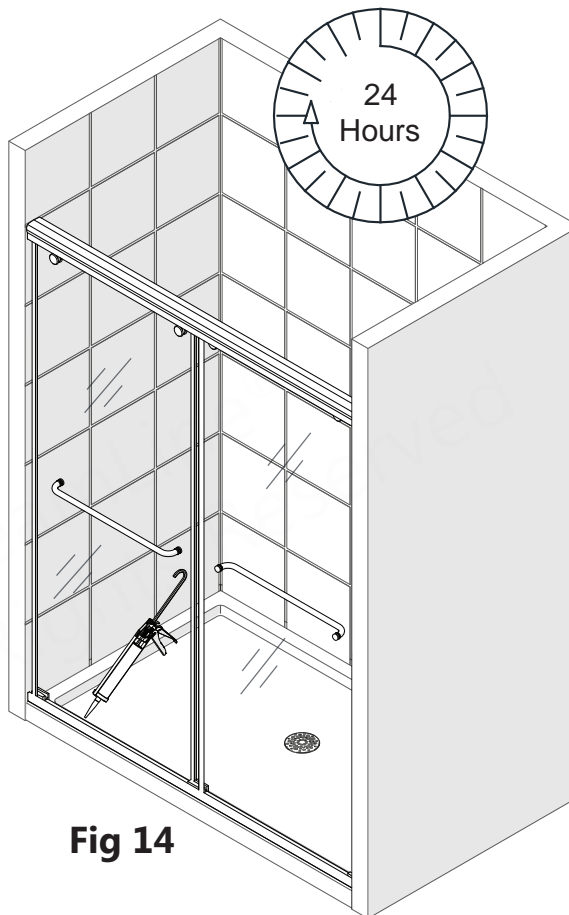
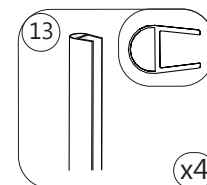
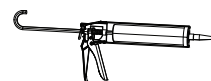


Fig 14

Parts Needed



Tools Needed



Allow 24 hours for the silicone caulk to cure before using the shower.



Product Maintenance

BASES and BACKWALLS: To ensure long lasting life for your acrylic back walls: wipe them off after each use with a soft cloth. To clean the acrylic back walls use non-abrasive sprays or cream based cleaners. Avoid the use of aerosol spray cleaners. Never use abrasive cleansers, metal brushes or scrapers that could permanently scratch or dull the surface.

GLASS: To ensure long lasting life for your glass shower products: wipe them off after each use with a soft cloth. Rinse and wipe off the glass using either a soft cloth or a squeegee to prevent soap buildup and water spots (Hard water can etch the surface of the glass over time if left to dry). To prevent scratching the surface: never use abrasive cleaners or cleaning products that contain scouring agents. Never use bristle brushes or abrasive sponges that may scratch the surface of the glass.

HARDWARE: To ensure a long lasting finish: wipe off all metal parts after each use with a soft cloth. Do not use abrasive cleaners or cleaning products containing ammonia, bleach or acid. If accidentally used, rinse the surface as soon as possible to prevent damage to the finish (peeling or corrosion). After cleaning the polished finishes, rinse thoroughly and wipe dry with a soft cleancloth. Clean stainless steel surfaces at least once a week. When applying stainless steel cleaner or polish to stainless steel hardware, work with the grain (not across the grain). Never use an abrasive sponge or cloth, steel wool or wired brush as these may permanently scratch the surfaces.



To maximize the life of your door, it is important to regularly inspect the glass and other hardware for misalignment, proper attachment, and/or damage. Contact DreamLine® with any questions or concerns.

CHARISMA Maintenance Checklist

- Bottom Guide Rail** secured and tight to the threshold
- Guide Blocks (left, middle, right)** secured to the **Bottom Guide Rail**
- Guide Rail Brackets** level and secured to the **Top Guide Rail** and wall
- Top Guide Rail** level and parallel to the **Bottom Guide Rail**
- During operation, the **Door Glass** passes through the **(middle) Guide Block** and creates a seal with the **Bulb Vinyl Inserts** and **Wall Profiles**
- Roller Assembly** bolts tight and adjusted so the **Door Glass** creates a seal with the **Bulb Vinyl Inserts** and **Wall Profiles**
- Towel Bar Handles** bolts tight and vinyls are present to avoid glass-to-metal contact
- Decorative covers** are present and covering all screws securing the **Guide Block(s)**
- Inspect the edges of the **Door Glass** for concealed damage
 - Damaged glass must be replaced!**
- Replace damaged or missing **Bulb Vinyl Inserts**
- Inspect and replace silicone as necessary to prevent water leakage

Troubleshooting

Problem/Symptom	Suggested Solution	Page(s)
Missing Parts	<ul style="list-style-type: none"> •Check all shipping/packageing material for missing parts/components. •If not found, contact DreamLine Customer Support [1-866-731-2244] to order factory part replacement. 	—
Top Guide Rail (#01) and/or Bottom Guide Rail (#02) was cut too short.	<ul style="list-style-type: none"> •If either the Top Guide Rail (#01) and Bottom Guide Rail (#02) is cut too short during installation, contact DreamLine® Customer Support [1-866-731-2244] to order factory part replacement. 	8
Door Glass (#03) does not seal well against one or both wall during operation.	<ul style="list-style-type: none"> •Shim the Door Glass (#03) and adjust the Roller Assemblies (#10) to achieve a better seal with the walls. •Confirm with a level that the Top Guide Rail (#01) and Bottom Guide Rail (#02) are installed level and parallel to one another. 	16
Water Leakage: beneath the Bottom Guide Rail (#02)	<ul style="list-style-type: none"> •Confirm the Bottom Guide Rail (#02) has been tightly secured to the threshold with silicone caulk. •Confirm the entire unit has been properly sealed with a waterproof, mildew-resistant 100% silicone caulk; allow at least 24 hours for the silicone to cure and set before using the shower unit. •Direct the shower head/water flow away from the area. 	9,19
Towel Bar(s) (#04) are loose.	<ul style="list-style-type: none"> •Verify that the vinyl gaskets and screws are in place and tightly secured. 	16



Prior to contacting DreamLine® Customer Service, please have the following information readily available:

- Purchase Order Information
 - Name, PO Number, Dealer/Vendor Name, etc.
- SKU/Model Number (see Pages 22-23)
- Factory Part Information (see Pages 22-23)

Factory Parts Information

CHARISMA 48 x76 {SHDR-1348760-##}		FACTORY PARTS INFORMATION	
ITEM #	FACTORY PART NUMBER	ITEM DESCRIPTION	QTY
01	041140 1 1-1219 / 0411404 1 -1219	Top Guide Rail	1 pc
02	041120 1 1-1219 / 0411204 1 -1219	Bottom Guide Rail	1 pc
03	010220003	Door Glass	2 pcs
04	0722 1 058 / 07224058	Towel Bar Handle Assembly for 8mm (5/16 in) Glass	2 pcs
05	07552148	Wall Anchor 8mm (5/16in)	4 pcs
06	091102	ST4.0 x 16mm Pan Head Screw	6 pcs
08	092108	ST4.0 x 40mm Pan Head Screw	4 pcs
09	0755 1 011 / 07554011	Decorative Cover for Guide Blocks	6 pcs
10	0732 1 001 / 07324001	Roller Assembly	4 pcs
11	0701 1 045 / 07014045	Guide Rail Bracket	2 pcs
12a	07550003	Bottom Guide Block (Left) for 8mm (5/16in) Glass	1 pc
12b	07550002	Bottom Guide Block (Middle) for 8mm (5/16in) Glass	1 pc
12c	07550001	Bottom Guide Block (Right) for 8mm (5/16in) Glass	1 pc
13	063007080-1848	Bumper Vinyl Strips	4 pcs
16	091101	ST4.0 x 10mm Pan Head Screw	4 pcs

BOLD digit indicates finish color:

1 = Chrome

4 = Brushed Nickel

Contact Support@DreamLine.com for Part replacement, installation assistance or additional information.
Complete **Warranty** information is available on DreamLine.com.

Factory Parts Information

CHARISMA 60x76 {SHDR-1360760-##}		FACTORY PARTS INFORMATION	
ITEM #	FACTORY PART NUMBER	ITEM DESCRIPTION	QTY
01	04114011-1524 / 04114041-1524	Top Guide Rail	1 pc
02	04112011-1524 / 04112041-1524	Bottom Guide Rail	1 pc
03	010220004	Door Glass	2 pcs
04	07231012 / 07234012	Towel Bar Handle Assembly for 8mm (5/16 in) Glass	2 pcs
05	07552148	Wall Anchor 8mm (5/16in)	4 pcs
06	091102	ST4.0 x 16mm Pan Head Screw	6 pcs
08	091107	ST4.0 x 40mm Pan Head Screw	4 pcs
09	07551011 / 07554011	Decorative Cover for Guide Blocks	6 pcs
10	07321001 / 07324001	Roller Assembly	4 pcs
11	07011045 / 07014045	Guide Rail Bracket	2 pcs
12a	07550003	Bottom Guide Block (Left) for 8mm (5/16in) Glass	1 pc
12b	07550002	Bottom Guide Block (Middle) for 8mm (5/16in) Glass	1 pc
12c	07550001	Bottom Guide Block (Right) for 8mm (5/16in) Glass	1 pc
13	063007080-1848	Bumper Vinyl Strips	4 pcs
16	091101	ST4.0 x 10mm Pan Head Screw	4 pcs

BOLD digit indicates finish color:

1 = Chrome

4 = Brushed Nickel

Contact **Support@DreamLine.com** for Part replacement, installation assistance or additional information.
Complete **Warranty** information is available on **DreamLine.com**.

NOTES

© DreamLine®
All Rights Reserved

© DreamLine®
All Rights Reserved

NOTES

© DreamLine®
All Rights Reserved

© DreamLine®
All Rights Reserved



TEL: 866-731-2244
FAX: 866-857-3638
DREAMLINE.COM



For more information on DreamLine® Shower Doors and Enclosures please visit [DreamLine.com](https://www.DreamLine.com)