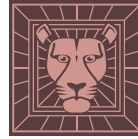


36"

Item Number:  
500-V36-HON

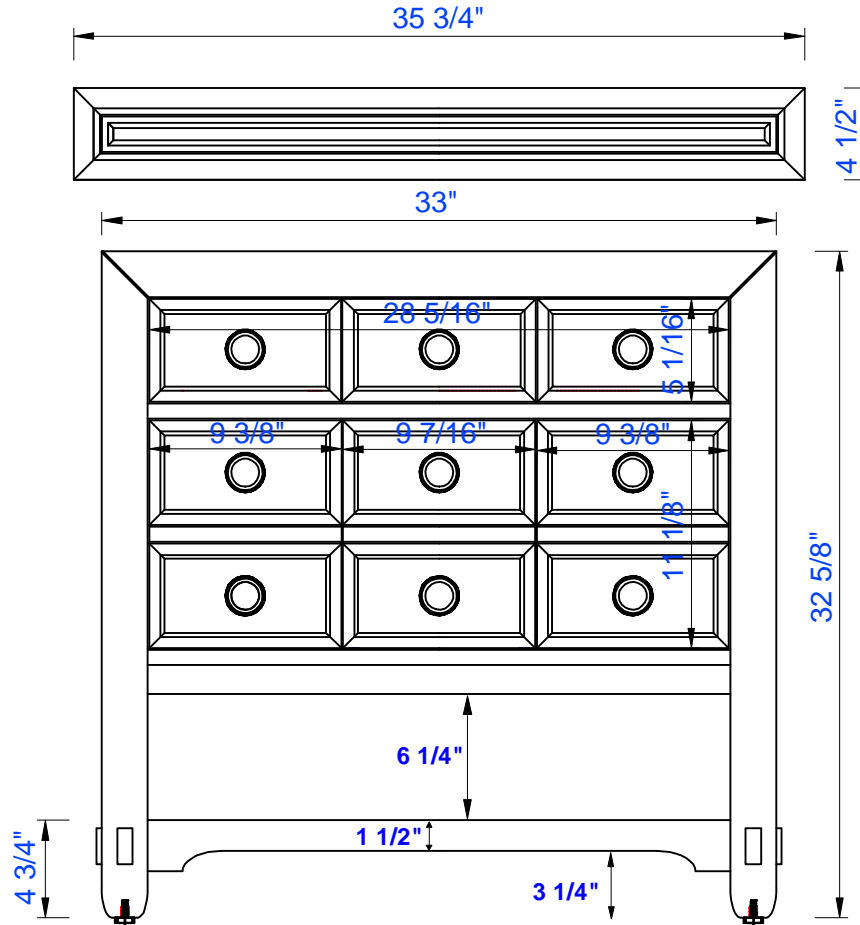
JAMES MARTIN



VANITIES™

Malibu 36" Cabinet

Diagrams with Dimensions  
page 01 of 03



NOTE ONE: Countertops are not shown in these diagrams. (Cabinet Only)

NOTE TWO: Wood Backsplash (Shown) is designed for the molding detail to align with sinks in James Martin's Optional Countertops. Customers' own countertops and sinks may align differently.

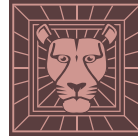
Please consult our website for Countertop Diagrams: [www.jamesmartinvanities.com](http://www.jamesmartinvanities.com)

Version: 201909

36"

Item Number:  
500-V36-HON

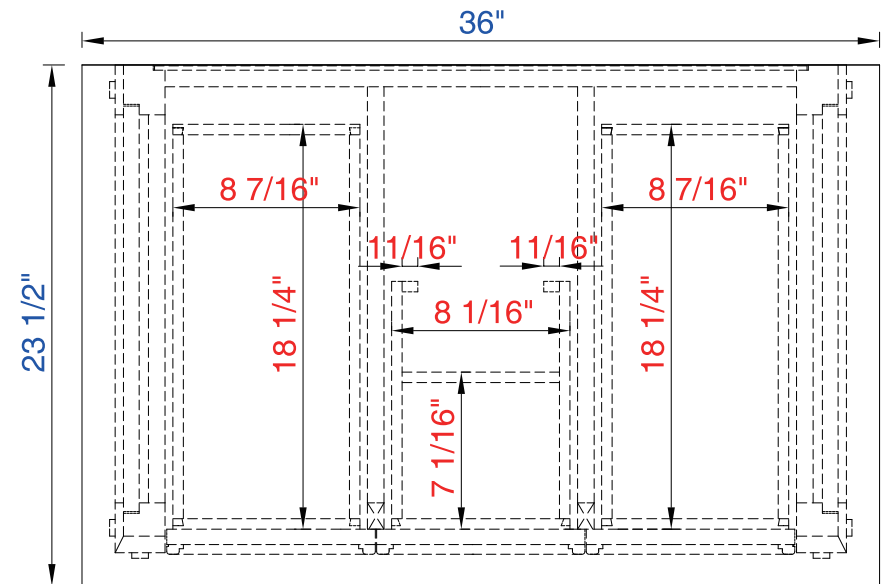
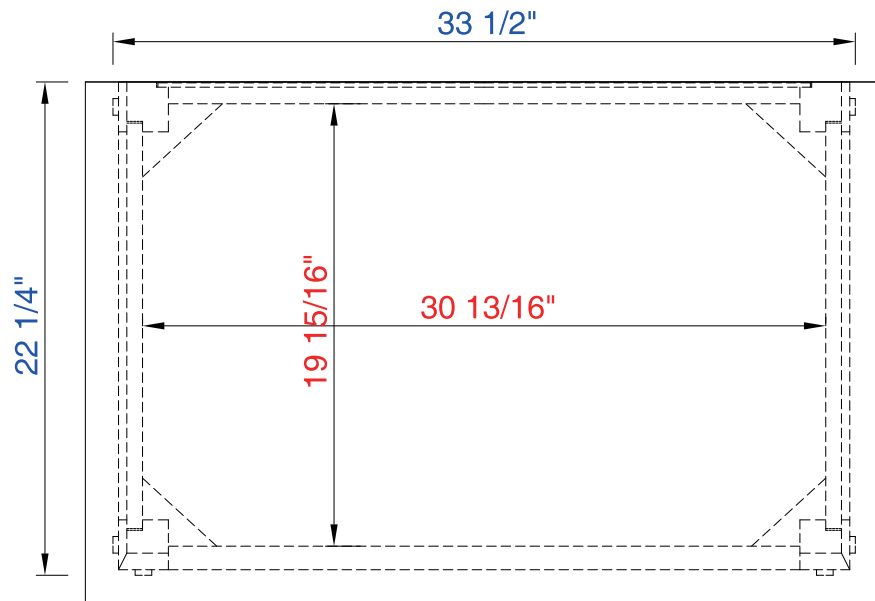
JAMES MARTIN



VANITIES™

Malibu 36" Cabinet

Diagrams with Dimensions  
page 02 of 03



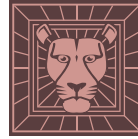
NOTE ONE: Countertops are not shown in these diagrams. (Cabinet Only)

36"

Item Number:

500-V36-HON

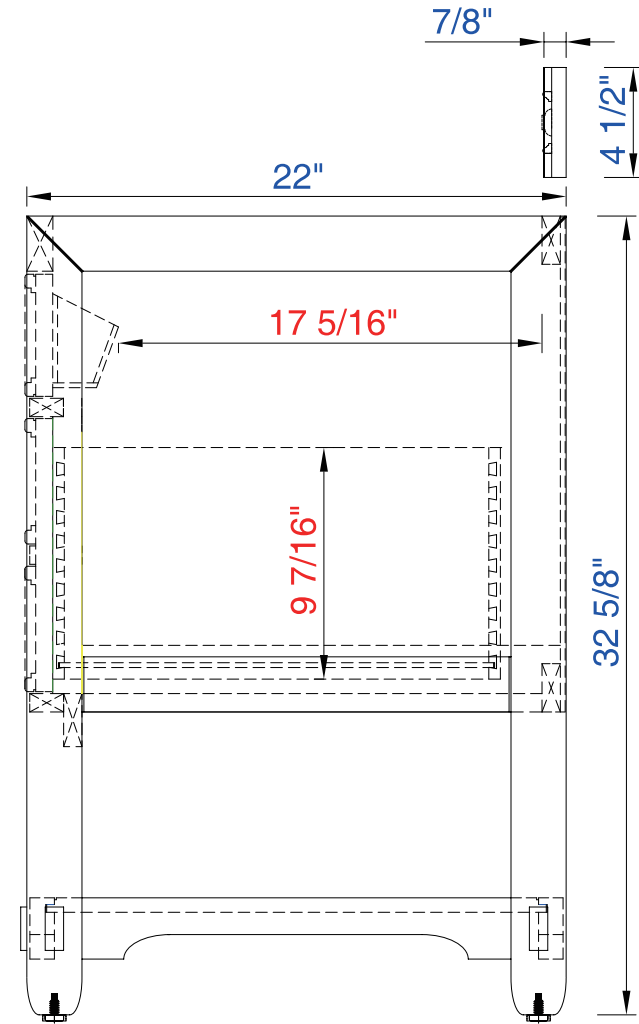
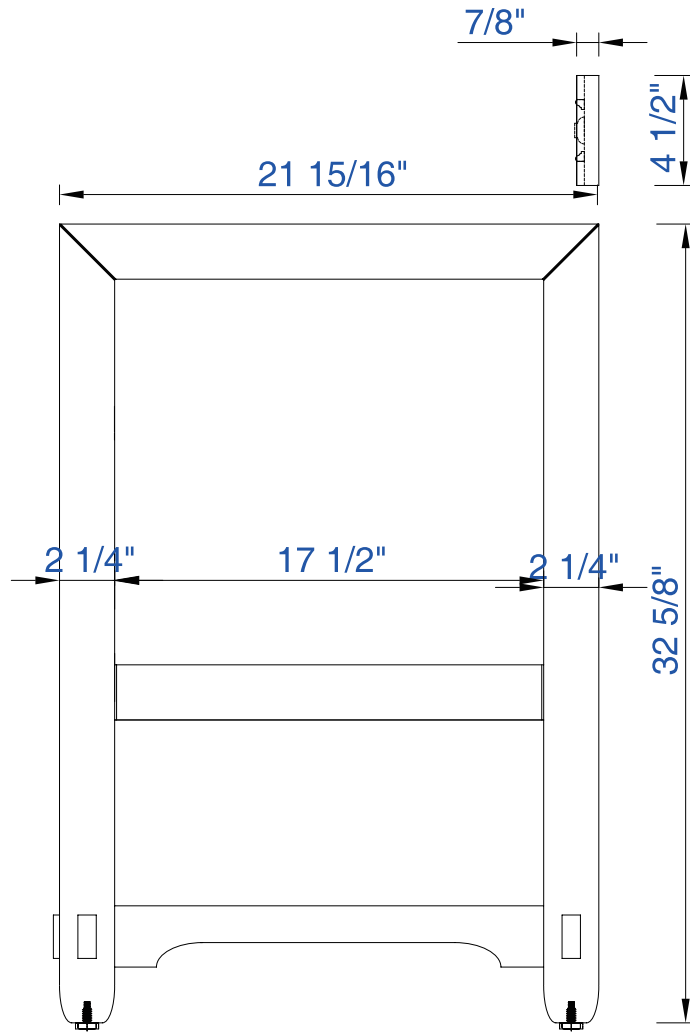
JAMES MARTIN



VANITIES™

Malibu 36" Cabinet

Diagrams with Dimensions  
page 03 of 03



NOTE ONE: Countertops are not shown in these diagrams. (Cabinet Only)

NOTE TWO: Wood Backsplash (Shown) is designed for the molding detail to align with sinks in James Martin's Optional Countertops. Customers' own countertops and sinks may align differently.

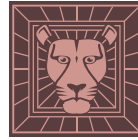
Please consult our website for Countertop Diagrams: [www.jamesmartinvanities.com](http://www.jamesmartinvanities.com)

Version: 201909

914mm

Item Number:  
500-V36-HON

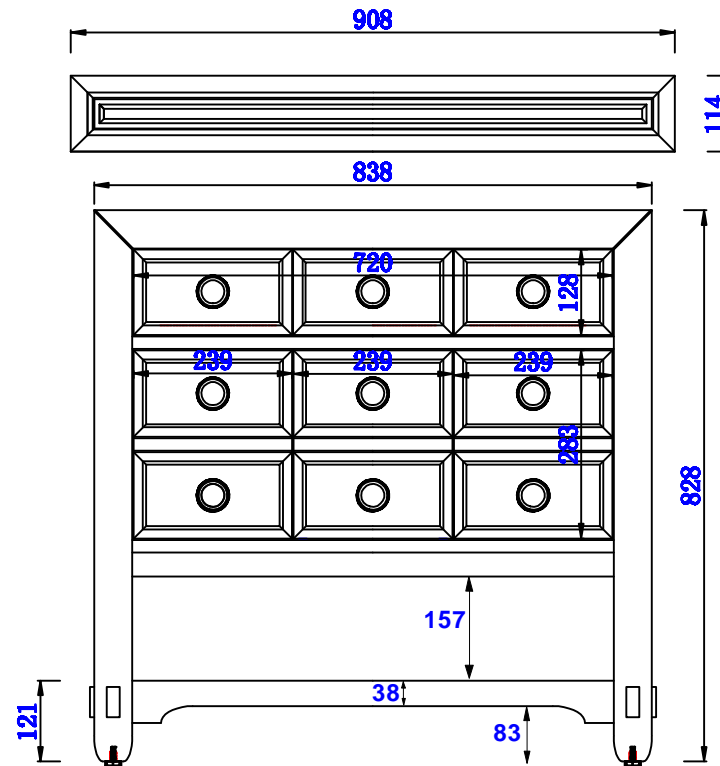
JAMES MARTIN



VANITIES™

Malibu 914mm Cabinet

Diagrams with Dimensions  
page 01 of 03



NOTE ONE: Countertops are not shown in these diagrams. (Cabinet Only)

NOTE TWO: Wood Backsplash (Shown) is designed for the molding detail to align with sinks in James Martin's Optional Countertops. Customers' own countertops and sinks may align differently.

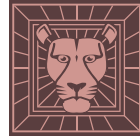
Please consult our website for Countertop Diagrams: [www.jamesmartinvanities.com](http://www.jamesmartinvanities.com)

Version: 201909

914mm

Item Number:  
500-V36-HON

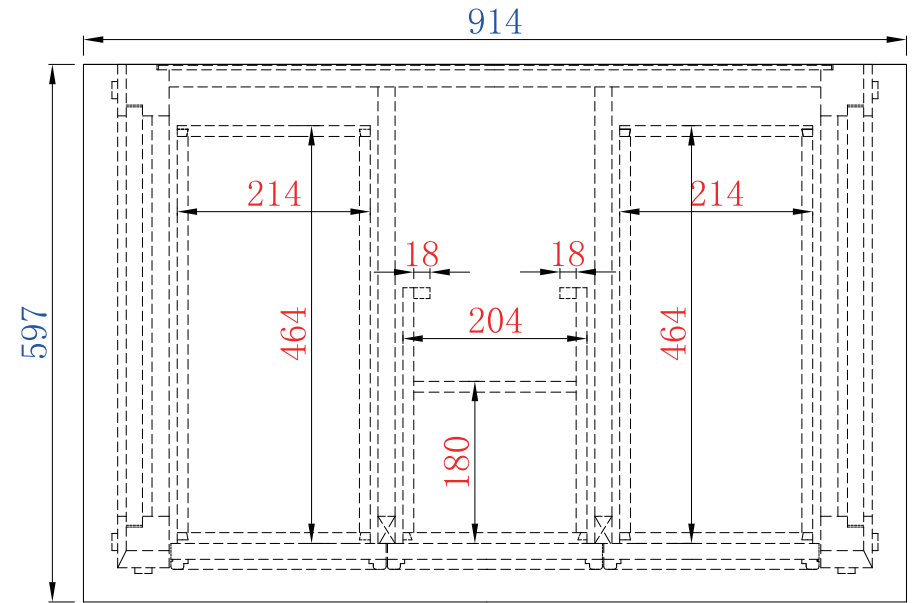
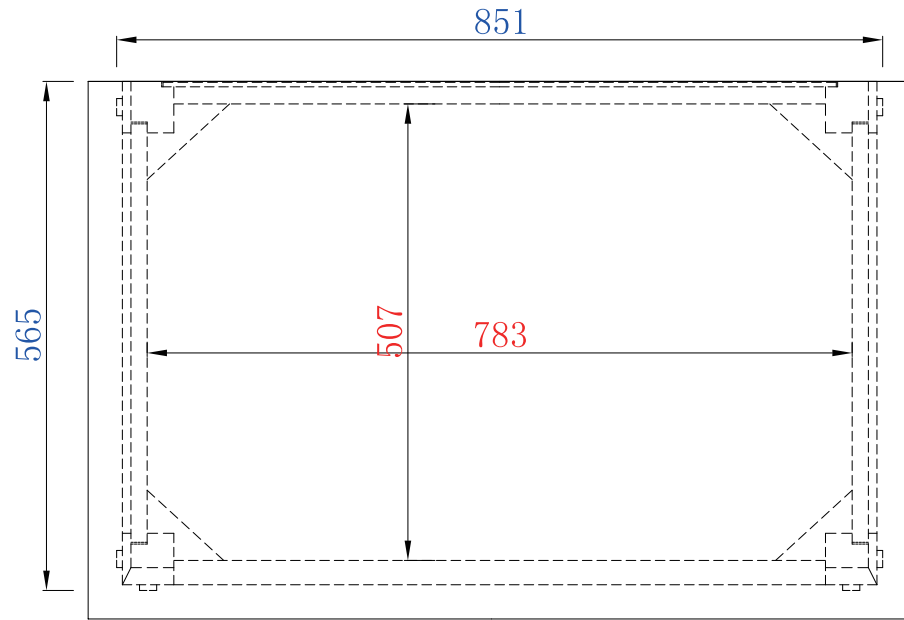
JAMES MARTIN



VANITIES™

Malibu 914mm Cabinet

Diagrams with Dimensions  
page 02 of 03



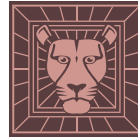
NOTE ONE: Countertops are not shown in these diagrams. (Cabinet Only)

Version: 201909

914mm

Item Number:  
500-V36-HON

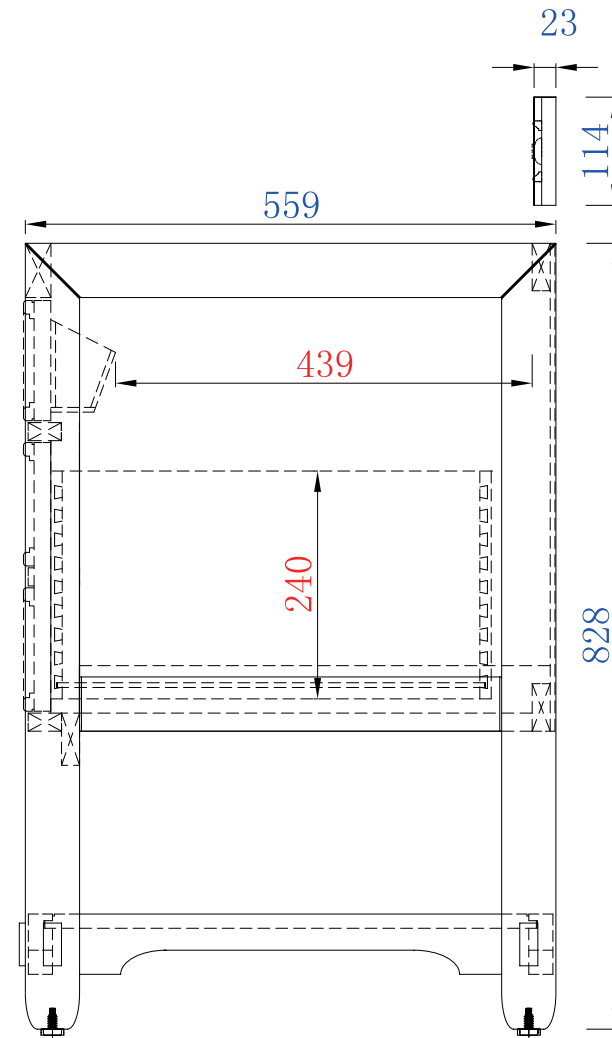
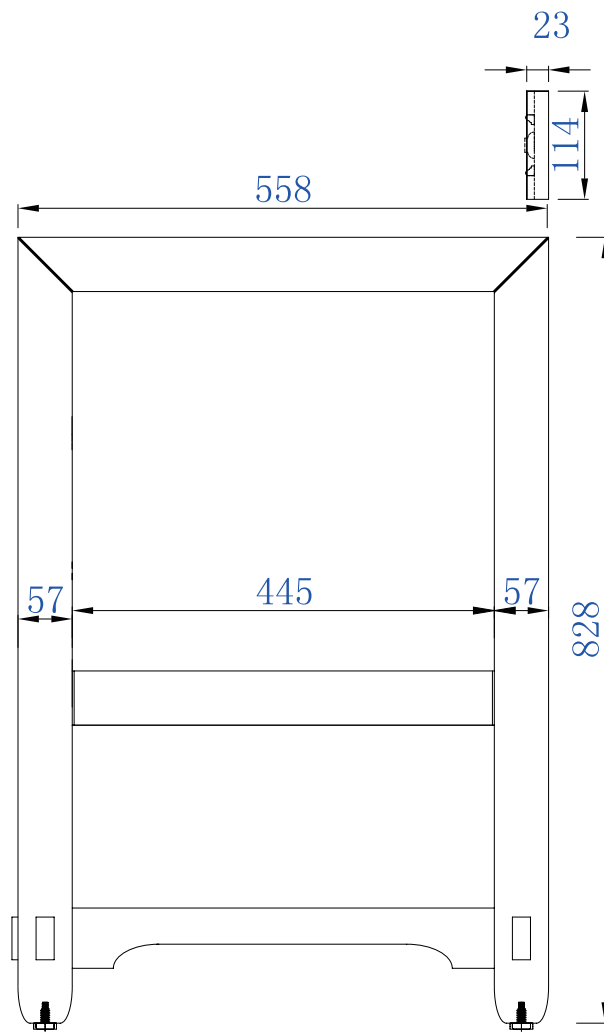
JAMES MARTIN



VANITIES™

Malibu 914mm Cabinet

Diagrams with Dimensions  
page 03 of 03



NOTE ONE: Countertops are not shown in these diagrams. (Cabinet Only)

NOTE TWO: Wood Backsplash (Shown) is designed for the molding detail to align with sinks in James Martin's Optional Countertops. Customers' own countertops and sinks may align differently.

Please consult our website for Countertop Diagrams: [www.jamesmartinvanities.com](http://www.jamesmartinvanities.com)

Version: 201909