

# INSTALLATION GUIDE Duo Collection

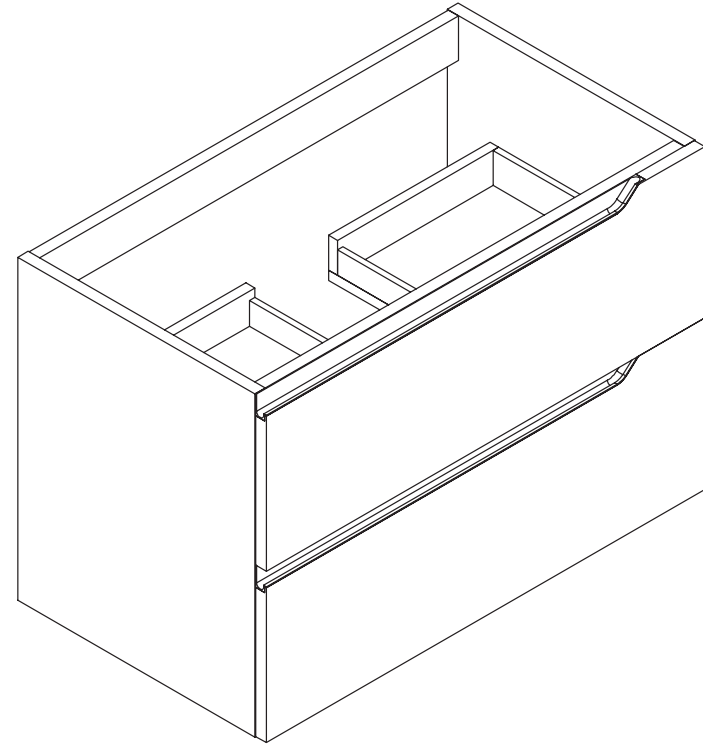
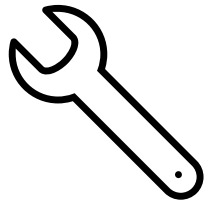
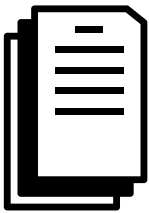
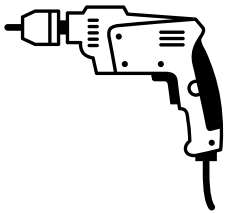
tilebar

To avoid scratches, scuffs, and other damages, do not assemble your vanity directly on the floor. Place a sheet of cardboard or another protective surface on the floor, and assemble your vanity on top of it. Always protect all surfaces from sharp objects, high heat sources, direct prolonged sunlight, and harsh chemicals.

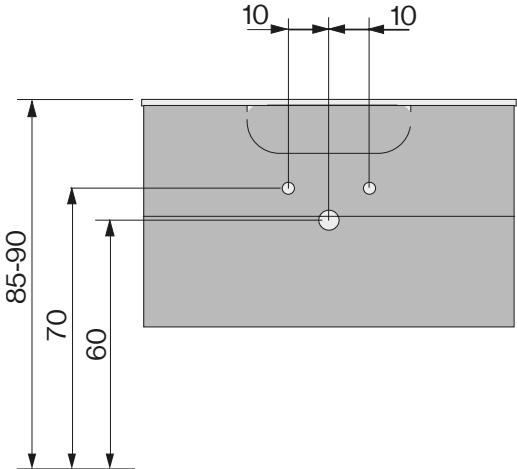
Professional installation is recommended.

## REQUIRED TOOLS

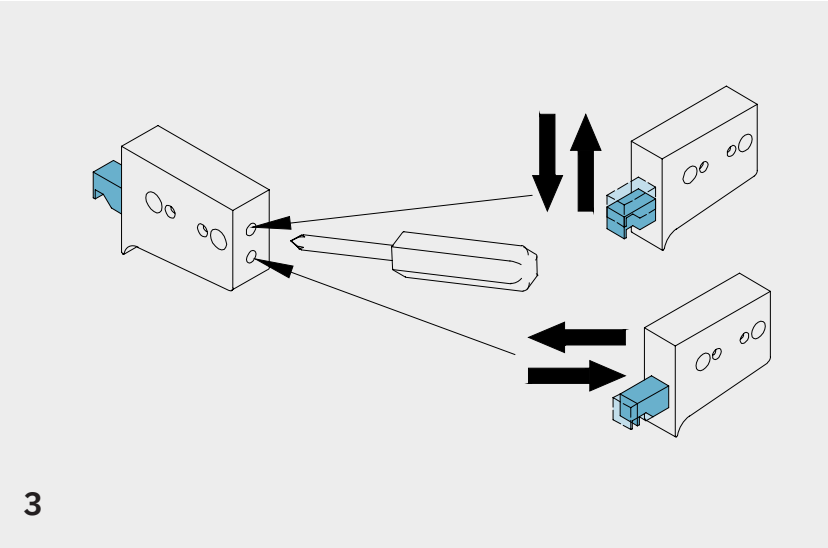
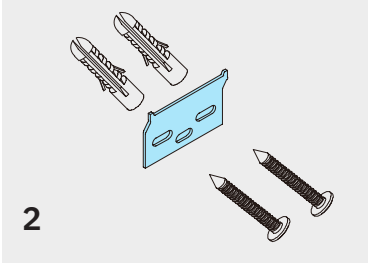
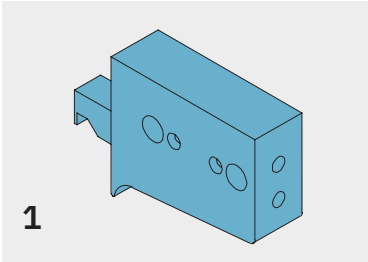
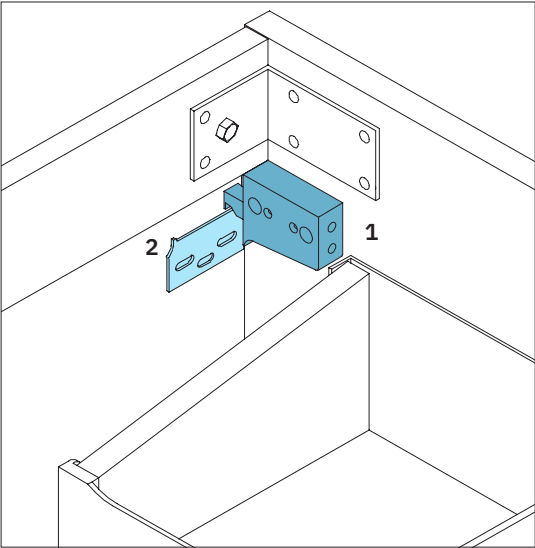
---



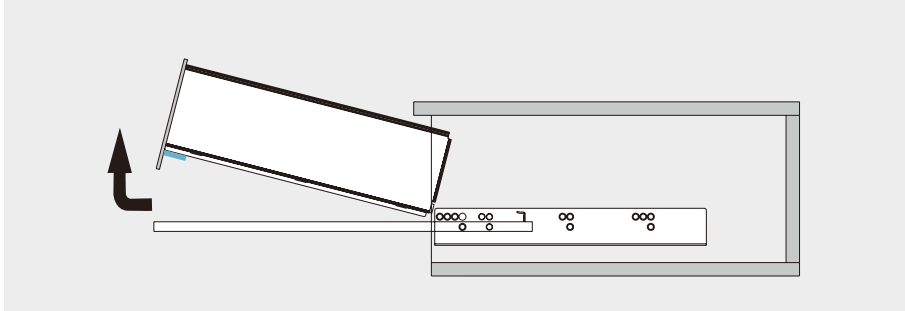
## DIMENSIONS FOR SINK INSTALLATION



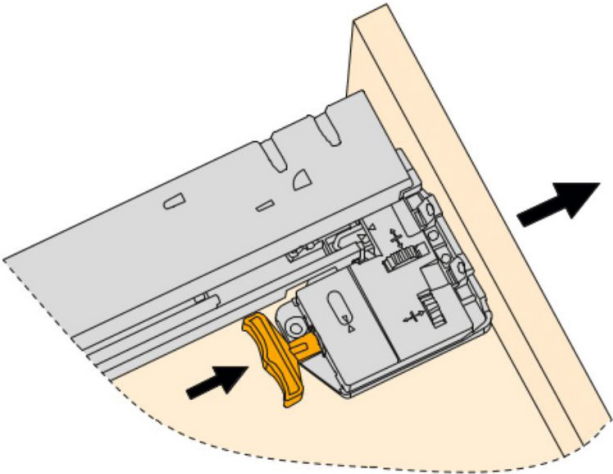
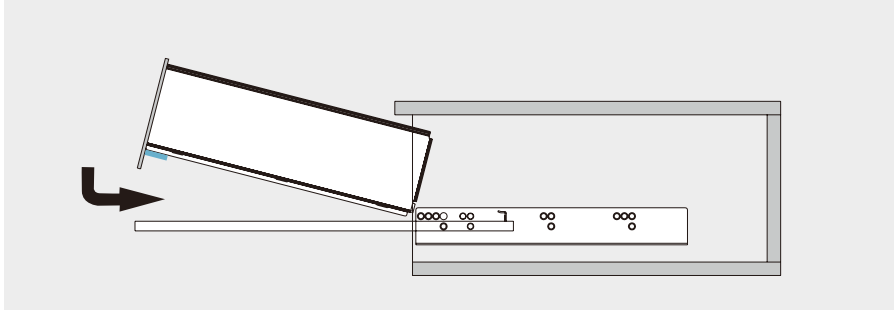
## ANCHORING AND ADJUSTMENT



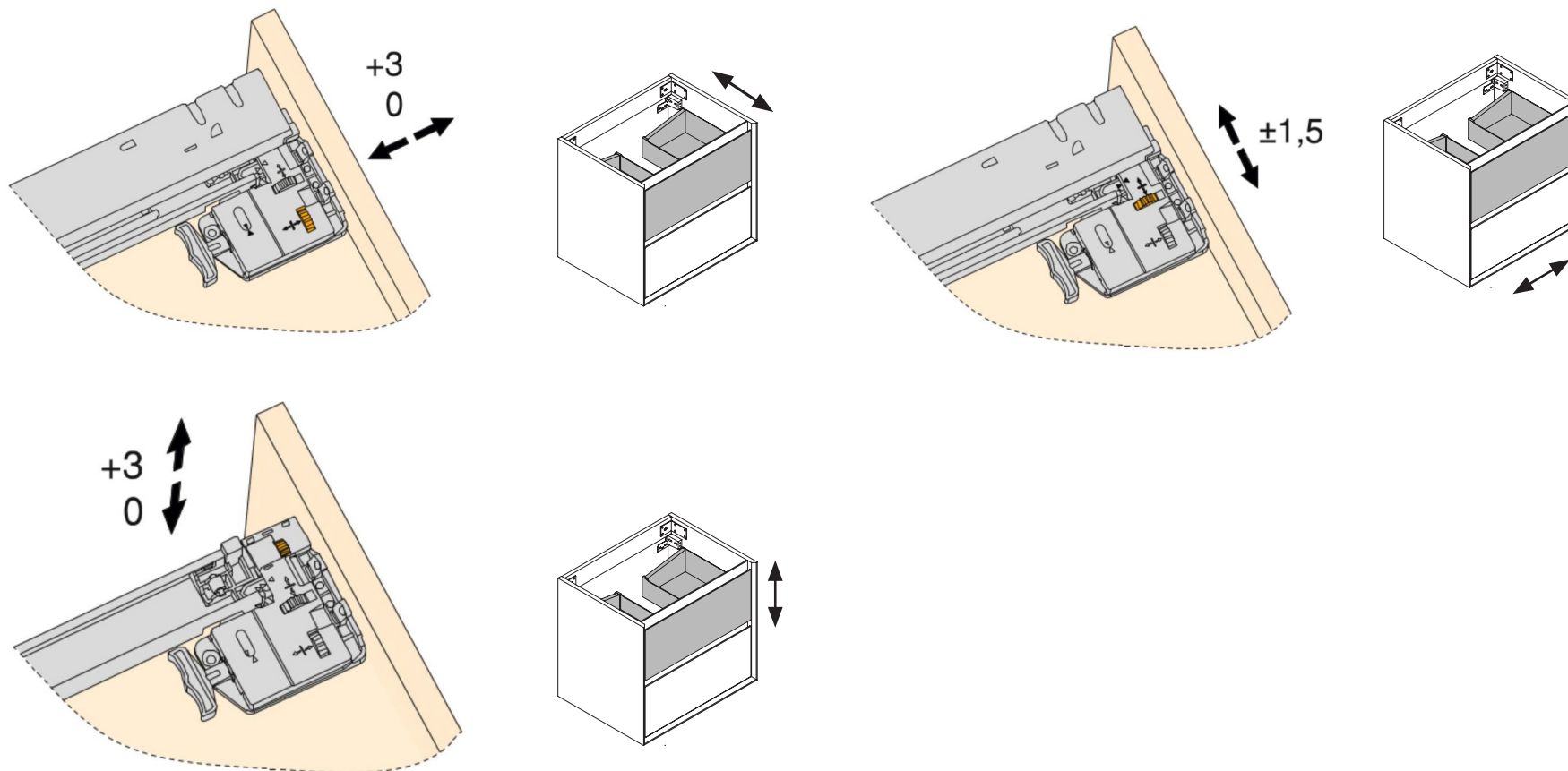
## DRAWER EXTRACTION UNLOCKING



## INSTALLATION LOCKING



## DRAWER FRONT ADJUSTMENT



## MAINTENANCE AND CLEANING

### FINISH / LACQUER / LAMINATED WOOD

To keep the lacquered surface clean it is recommended to use a soft cotton cloth dampened with water and neutral soap.

### METAL PARTS

It is strongly recommended to start with a damp cloth and then dry it carefully with a soft cloth.

## CONDITIONS OF SALE

The descriptions and photographs contained in our catalog are for information purposes only. It is our policy to continually improve our products, therefore we reserve the right to change specifications without prior notice. Colors shown in printed images may differ from reality. For more information, please refer to page 483 of the Nofer 2022 Catalog or scan the QR.

