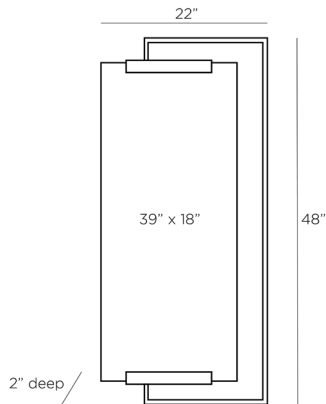


ARTERIOS

PRINCETON MIRROR



WMI03
H: 48 IN, W: 22 IN, D: 2 IN
Antique Brass
Contract Suitable As Is

Sleek and modern, the Princeton is created with an offset, forged iron frame and a mirror braced by etched clamps. The geometric mirror is striking alone or as a pair flanking a bathroom vanity. The vertical mirror is fitted with a security cleat for hanging. Finishes will vary.

APPEARANCE

Material Iron, Mirror
Finish Plain
Top Coat/Sealant false

DIMENSIONS

Mirror Size H: 39 IN, W: 18 IN

SHIPPING

Shipping Requirements TruckShip
Product Weight 33 LBS
Gross Weight 1 44.1 LBS
Shipping Box 1 H: 55 IN, L: 8 IN, W: 33 IN

ADDITIONAL INFO

Hanger Position All Four Directions
Hanger Type Security Cleat
Hanger Size 12"

CONTRACT

Contract Suitable true