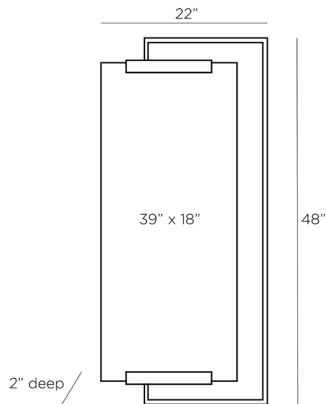


ARTERIOS

PRINCETON MIRROR



6985
H: 48 IN, W: 22 IN, D: 2 IN
Natural Iron
Contract Suitable As Is

The architectural Princeton mirror is at once minimalist and statement-making. The industrial-style mirror is gripped into place by an offset, clamp-style frame made of forged natural iron. The mirror can be hung vertically or horizontally, and is fitted with a security cleat for hanging.

APPEARANCE

Material Iron, Mirror
Finish Natural Iron, Plain
Top Coat/Sealant false

DIMENSIONS

Mirror Size H: 39 IN, W: 18 IN

SHIPPING

Shipping Requirements TruckShip
Product Weight 32 LBS
Gross Weight 1 67.2 LBS
Shipping Box 1 H: 55 IN, L: 9 IN, W: 31 IN

ADDITIONAL INFO

Hanger Position All Four Directions
Hanger Type Security Cleat
Hanger Size 12"

CONTRACT

Contract Suitable true