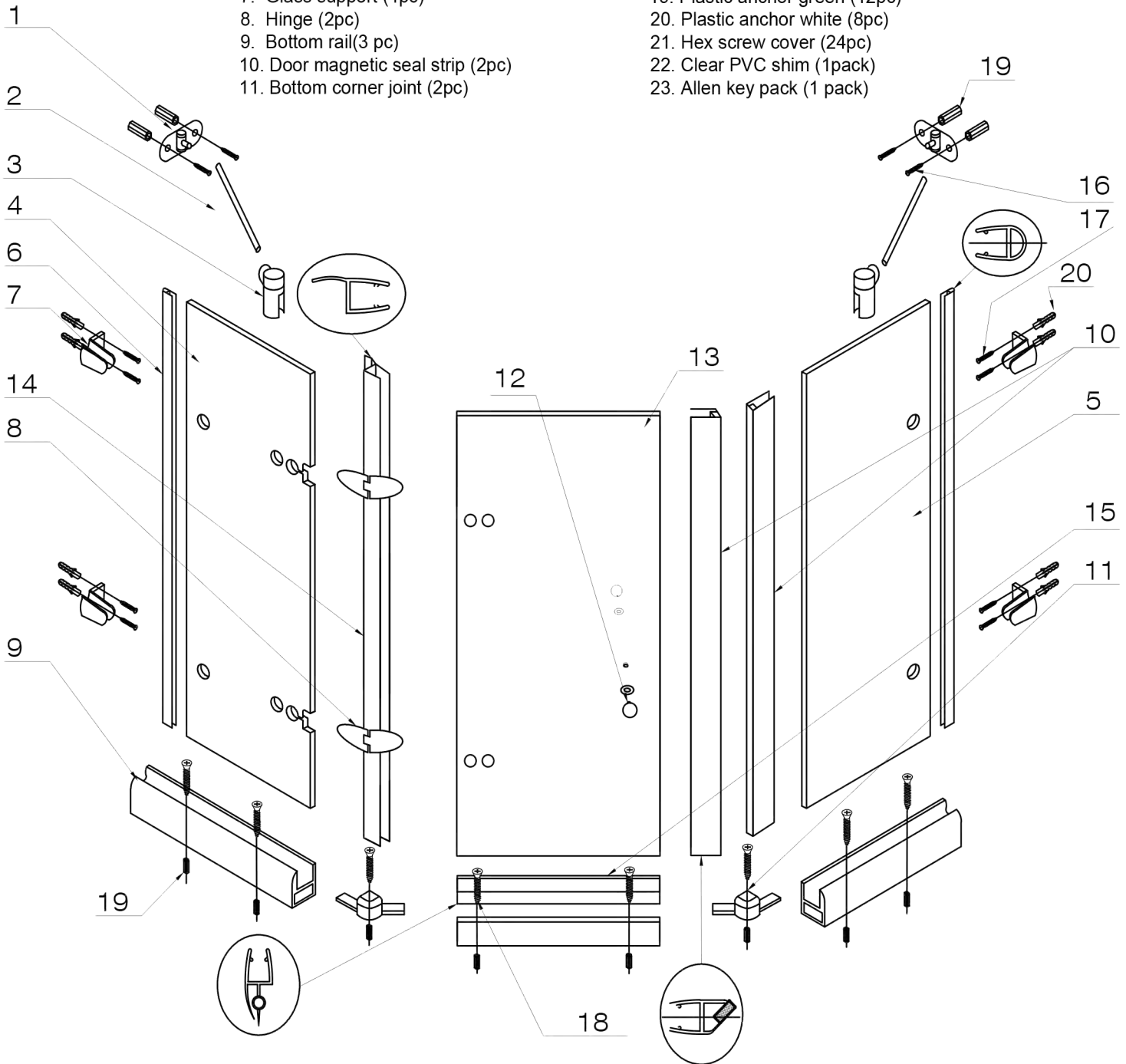


# INSTALLATION INSTRUCTIONS FOR SHOWER ENCLOSURE

PLEASE READ INSTRUCTIONS BEFORE PROCEEDING

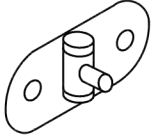

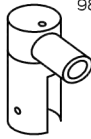


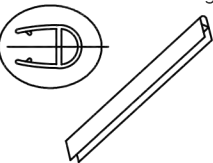
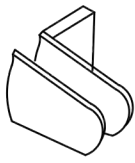
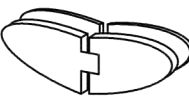
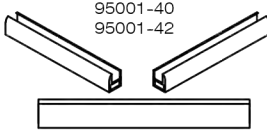
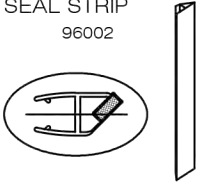
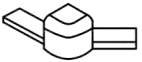
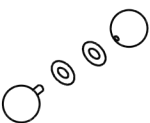
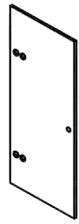
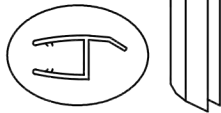
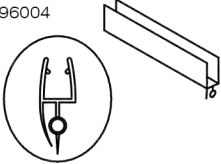



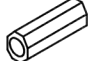


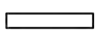
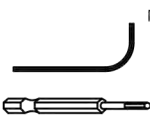
## Parts List

- |  |   |
|--|---|
| 1. Wall connector (2pc)                        | 12. Handle assembly (1pc)                       |
| 2. Structural arm (2pc)                        | 13. Door (1pc)                                  |
| 3. Support assembly (2pc)                      | 14. Door side seal strip (1pc + 1pc is extra)   |
| 4. Side glass panel (with hinge slots, 1pc)    | 15. Door bottom seal strip (1pc + 1pc is extra) |
| 5. Side glass panel (without hinge slots, 1pc) | 16. Hex screw 1 1/8" (4pc)                      |
| 6. Side seal strip (2pc)                       | 17. Hex screw 1 5/8" (8pc)                      |
| 7. Glass support (4pc)                         | 18. Phillips screw 3/4" (8pc)                   |
| 8. Hinge (2pc)                                 | 19. Plastic anchor green (12pc)                 |
| 9. Bottom rail (3 pc)                          | 20. Plastic anchor white (8pc)                  |
| 10. Door magnetic seal strip (2pc)             | 21. Hex screw cover (24pc)                      |
| 11. Bottom corner joint (2pc)                  | 22. Clear PVC shim (1pack)                      |
|  | 23. Allen key pack (1 pack)                     |



GLASS THICKNESS 3/8"

NOTE: INSTALLATION MUST BE DONE BY A QUALIFIED, LICENSED PROFESSIONAL.

<p>1. WALL CONNECTOR 98001</p> 	<p>2. STRUCTURAL ARM 98002-36 98002-38 98002-40 98002-42</p> 	<p>3. SUPPORT ASSEMBLY 98003</p> 	<p>4. SIDE GLASS PANEL 97001-36 97001-38 97001-40 97001-42</p> 	<p>5. SIDE GLASS PANEL 97006-36 97006-38 97006-40 97006-42</p> 
<p>6. SIDE SEAL STRIP 96001</p> 	<p>7. GLASS SUPPORT 98004</p> 	<p>8. HINGE ASSEMBLY 98015</p> 	<p>9. BOTTOM RAIL - 3pc. 95001-36 95001-38 95001-40 95001-42</p> 	<p>10. DOOR MAGNETIC SEAL STRIP 96002</p> 
<p>11. BOTTOM CORNER JOINT 94001</p> 	<p>12. DOOR HANDLE ASSEMBLY 98014</p> 	<p>13. DOOR 97007-24 97007-25</p> 	<p>14. DOOR SIDE SEAL STRIP 96003</p> 	<p>15. DOOR BOTTOM SEAL STRIP 96004</p> 
<p>16. HEX SCREW 1 1/8" 98035</p> 	<p>17. HEX SCREW 1 5/8" 98039</p> 	<p>18. PHILLIPS SCREW 3/4" 98033</p> 	<p>19. PLASTIC ANCHOR 98037</p> 	<p>20. PLASTIC ANCHOR 98038</p> 
<p>21. HEX SCREW COVER 96040</p> 	<p>22. CLEAR PVC SHIM MISC</p> 	<p>23. ALLEN KEY PACK MISC</p> 		

**! WARNING**

WE STRONGLY RECOMMEND THAT A LICENSED PROFESSIONAL INSTALL THIS SHOWER ENCLOSURE AND INCLUDE THE ASSISTANCE OF A SECOND PERSON TO INSTALL THE DOOR UNIT.

INSTALLATION OF THE SHOWER DOORS BY AN INEXPERIENCED PERSON MAY RESULT IN GLASS BREAKAGE AND, CONSEQUENTLY, CAUSE PERSONAL INJURY OR DEATH.

- Handle fragile items with care to prevent personal injury or material damage.
- The glass panels are tempered and cannot be cut. Never attempt to do so.
- Always rest glass on a level surface

**REQUIRED TOOLS**

- Square and/or Phillips #1 and #2 screwdriver
- Flat head screwdriver
- Electric drill plus 1/4" and 5/16" drill bit (depending on wall)
- Level
- Measuring tape
- Pencil (non-permanent)
- Clear silicone caulking
- Utility knife

**! WARNING**

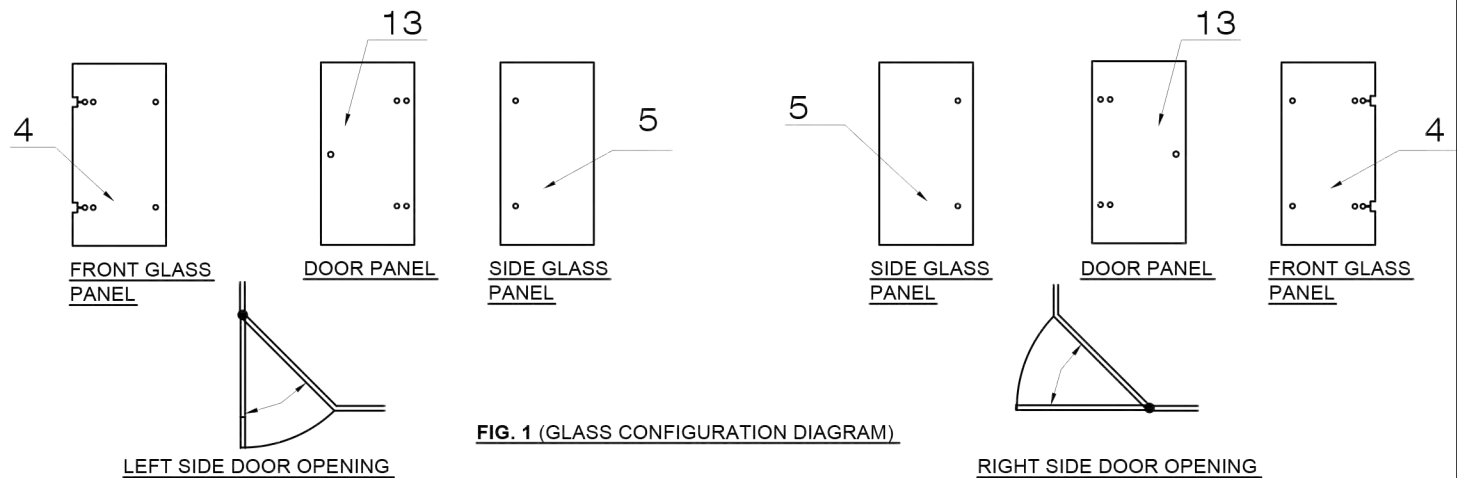
- Handle fragile items with care to prevent injury or material damage.
- Glass on panels and doors is tempered glass and must never be cut to prevent personal injury.

**⊘ IMPORTANT**

- Fiberglass, acrylic or sheetrock construction might not be sufficiently strong enough to support the shower door enclosure. You should use the wood framing studs from behind the face edge of the stall to provide a secure mounting to the door. Apply a bead of silicone between the walls and base of the stall.
- For optimum performance, you should install the shower door perfectly level on a level surface. Failure to do so will lead to water leakage and potential property damage.
- When installing use heavy duty gloves.

**IMPORTANT:**

**THE CLEAR GLASS MODEL HAS A REVERSIBLE DOOR AND CAN BE INSTALLED TO THE RIGHT OR LEFT SIDE. (SEE CONFIGURATION DIAGRAM BELOW)**



**FIG. 1 (GLASS CONFIGURATION DIAGRAM)**

## PREPARATION STEPS TO FOLLOW BEFORE INSTALLATION

1. Remove the plastic layer from the base border (if needed). Do NOT remove the plastic layer off the plastic platform of the base.
2. Properly apply silicone to the wall and base joints.

### ⊘ IMPORTANT

- To prevent damage to the finish, you should protect the shower cabin bottom with a cardboard protector before beginning the installation.
- Ensure that there is sufficient structural support behind the shower wall to hold the weight of the shower door. If there is insufficient support, then reinforce the shower walls with wooden studs prior to shower door installation. [SEE FIG.1A]

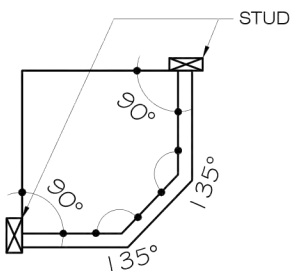
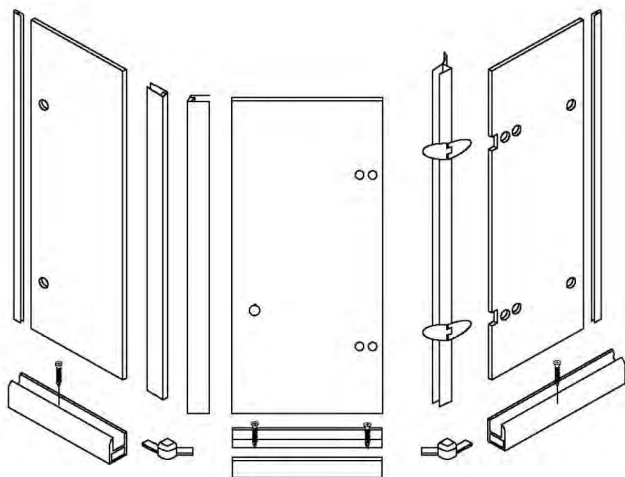


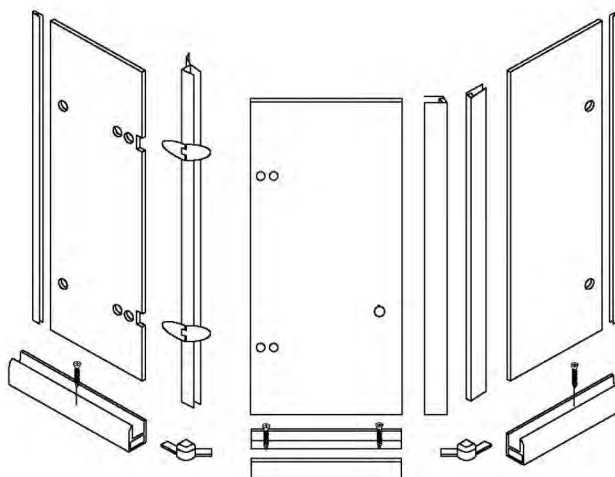
FIG.1A

### ⚠ CAUTION

- **GASKETS NEED TO BE IN BETWEEN ALL GLASS AND METAL CONTACT. FAILURE TO DO SO CAN LEAD TO BREAKAGE AND POTENTIAL BODILY HARM.**



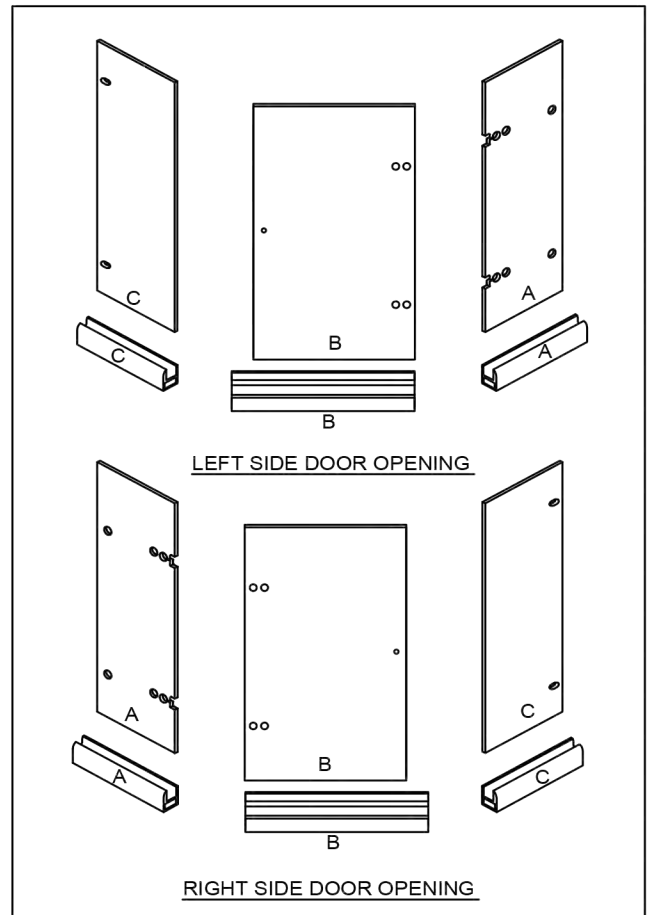
LEFT DOOR INSTALLATION



RIGHT DOOR INSTALLATION

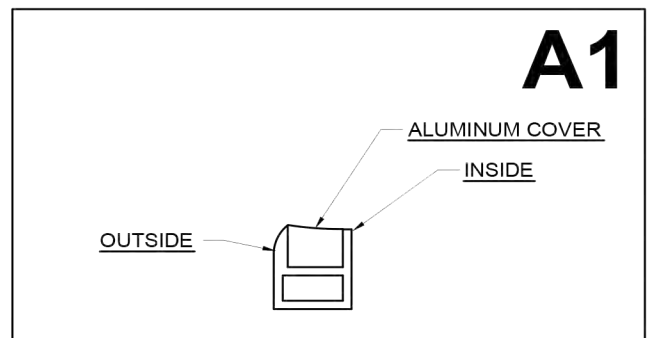
## INSTALLATION STEPS

PLEASE NOTE THAT WHEN INSTALLING, THE LARGER OF THE SIDE RAILS IS YOUR HINGE BASE RAIL. THE LARGER OF THE 2 RAILS GOES WITH GLASS PANEL #4. (THE DIFFERENCE IS MINIMAL, PLEASE REVIEW PRIOR TO INSTALL)

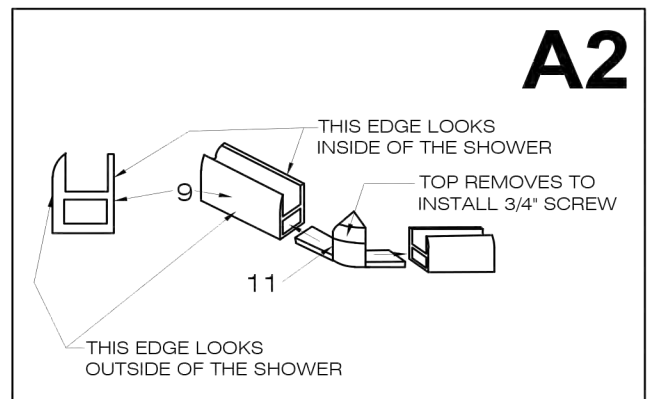


### A. INSTALLING THE BOTTOM RAIL

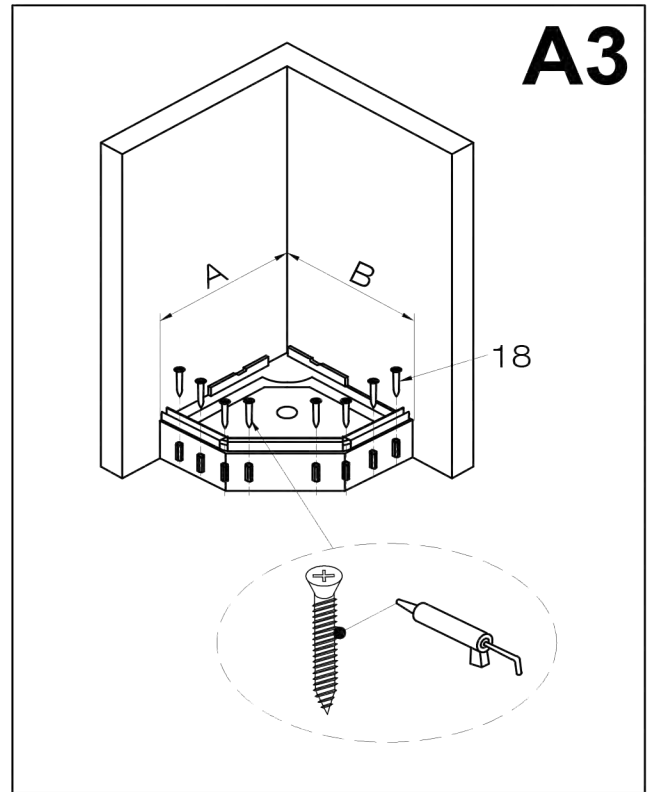
1. Remove the aluminum cover from the front piece of the bottom rail by sliding it out.



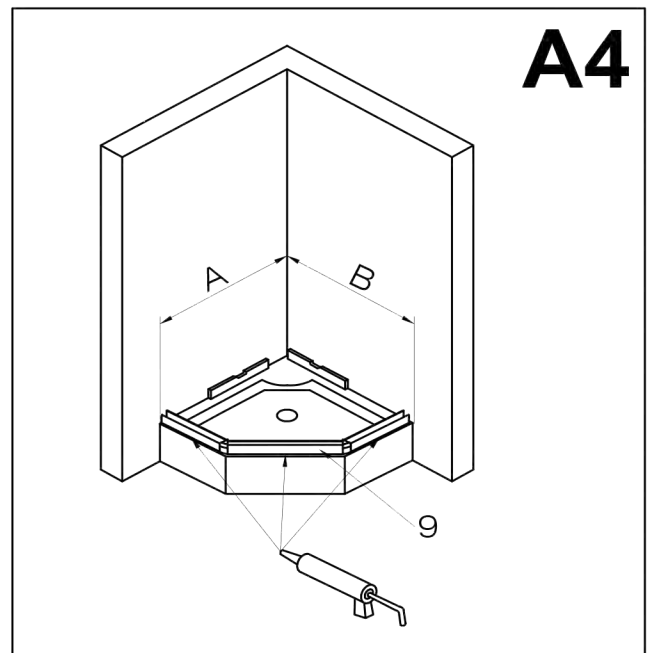
2. Remove top of the corner joint. Slide the bottom corner joint (2 pieces) (#11) onto the bottom rail (3 pieces) (#9).



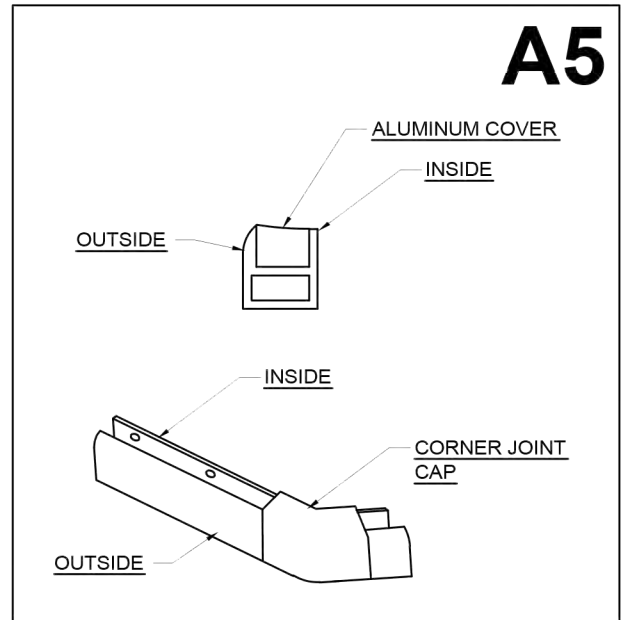
3. Align the bottom rail and corner joint to the desired position on the shower base. Distance A and B should be the same distance from the corner of the wall to the bottom rail (see page 4 for A and B distances). Prior to drilling, dry fit everything making sure that everything is straight, level and plum. Pre-drill for sinkers and tap sinkers. Cut excess sinker off with hacksaw or sharp blade. Dip screws in silicone and screw corner joints and rails down. Silicone tops of screws.
- NOTE: The side panel widths vary slightly, the glass panels and base rails are marked accordingly. Make sure you pick the correct configuration to match the door opening direction as desired. This is an important step and should not be over looked.**



4. Seal the bottom rail with clear silicone caulk and center its sides to the base.

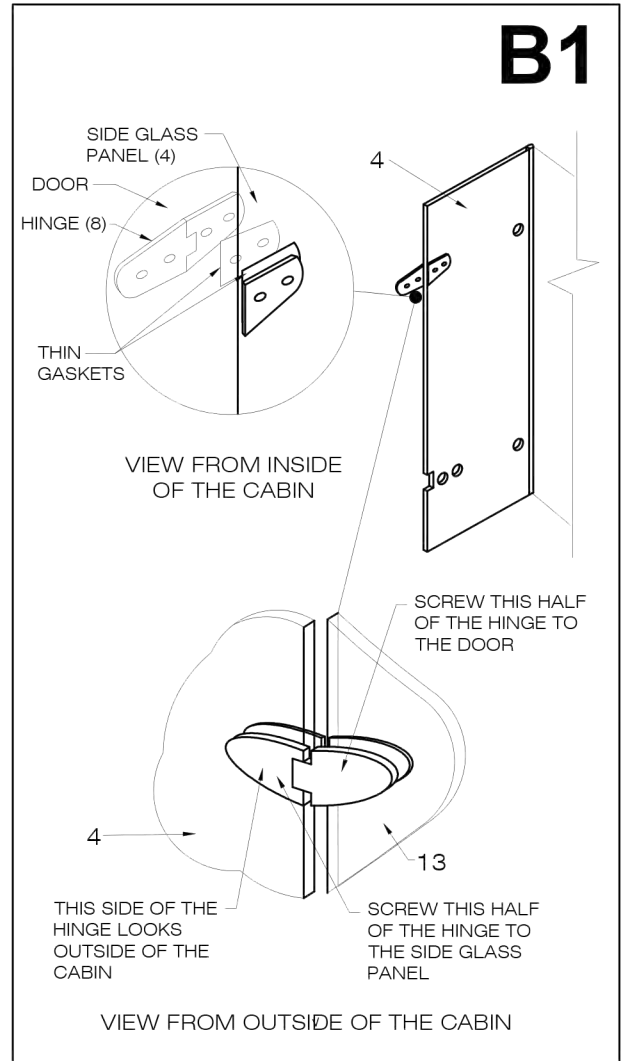


5. Clip the aluminum cover to the front piece of the bottom rail making sure the lower side faces the inside of the shower. Silicone the underneath portion of the corner joint caps and put them on the corner joints.



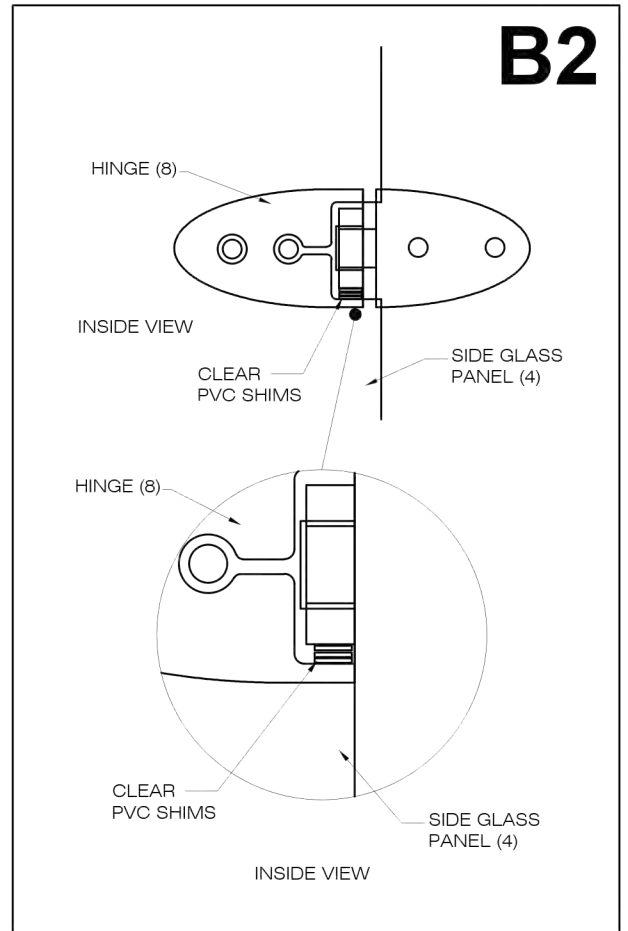
## B. HINGE INSTALLATION

1. Clean the glass surface on the side glass panel (#4) where the hinges (#8) are to be installed with rubbing alcohol. Place gaskets on each side of the side glass panel (#4). Position hinges on the side glass panel.

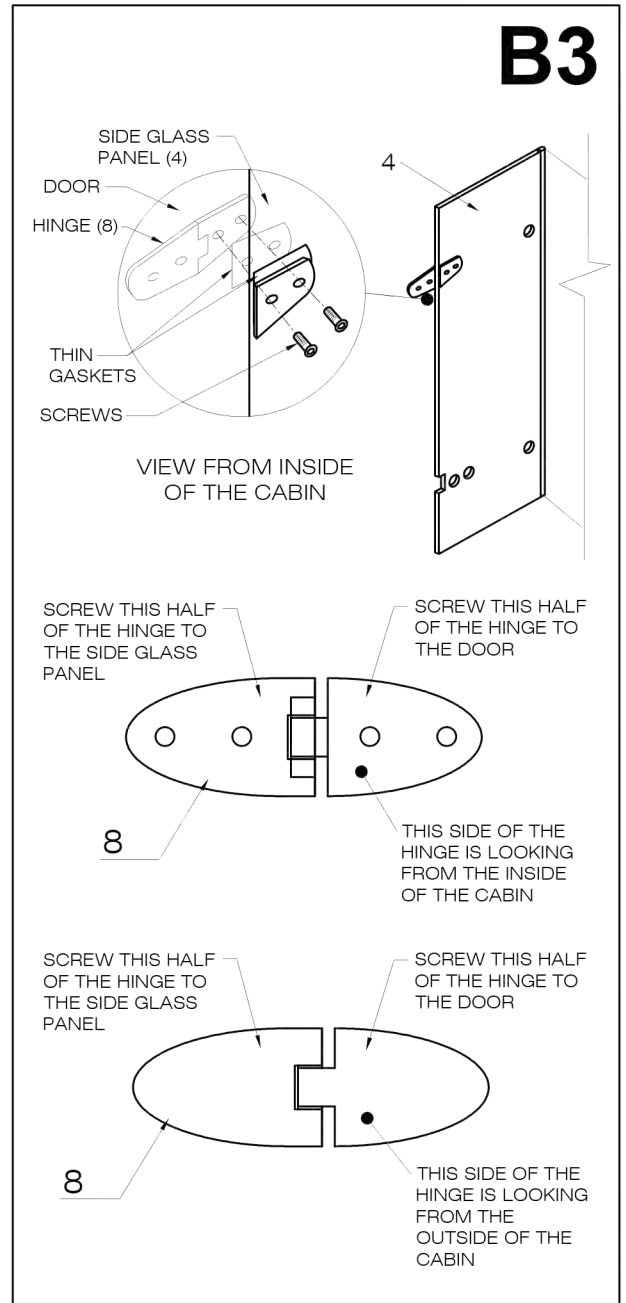




2. Place a shim between the glass and the hinge on the bottom. The metal should not rest on the glass.

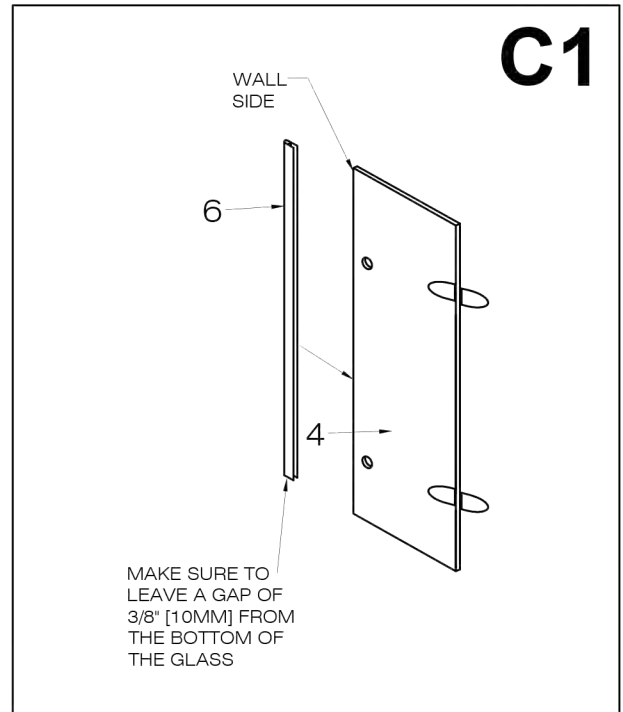


3. Screw the hinges to the side glass panel with the hex key (supplied).

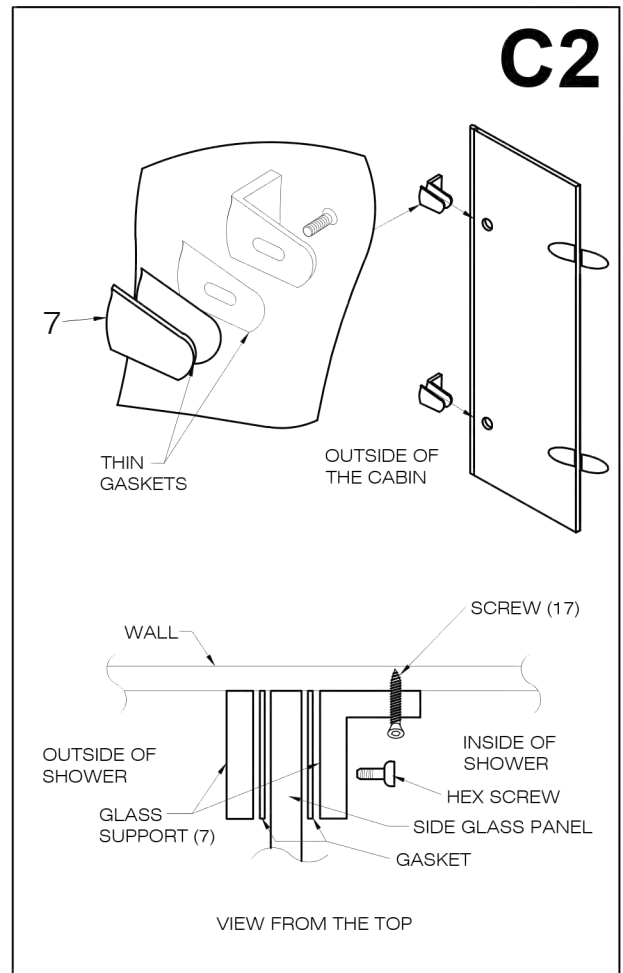


## C. INSTALLING SIDE GLASS PANEL (PART #4)

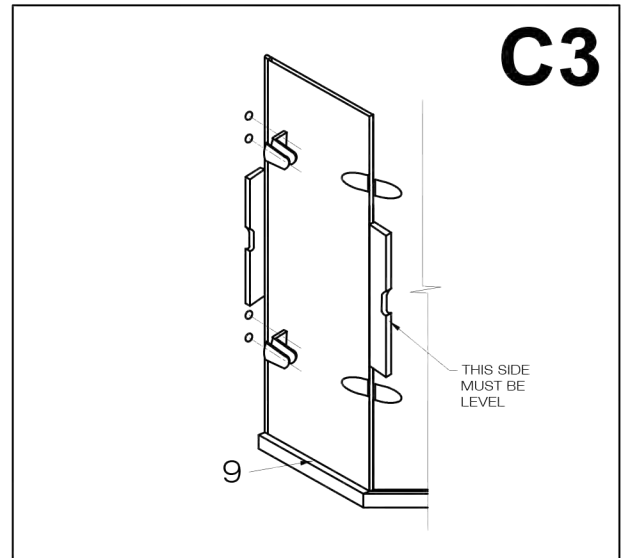
1. Arrange glass to the preferred configuration. (see diagram on page 5) **⊘ These instructions are for a right side door opening configuration.** Select the door opening location on the shower cabin. Install the side seal strip (#6) to the wall side of the hinged side glass panel (#4).



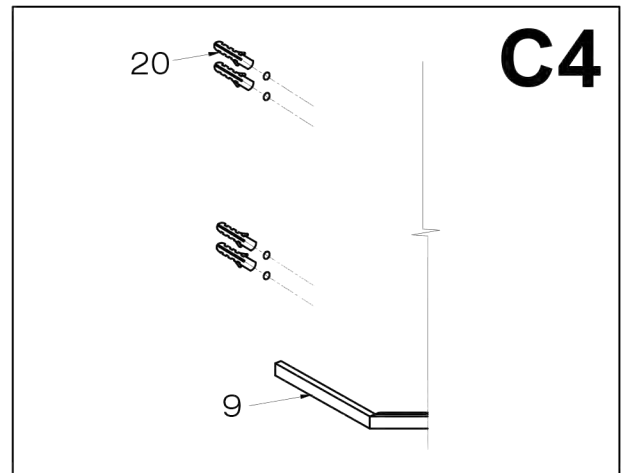
2. Screw in the glass support (#7) to the side glass panel using the hex key (supplied) making sure to slide it back as far as possible from the glass before you tighten. The part that connects to the wall should face in. Be sure to use gaskets on both sides of the panel. The glass holes are elliptical allowing for 5mm out of square. **⚠ If your shower stall is out of square more than 5mm from the top of the glass to the bottom of the glass then this can cause the shower to potentially leak and can cause potential fatal harm.**



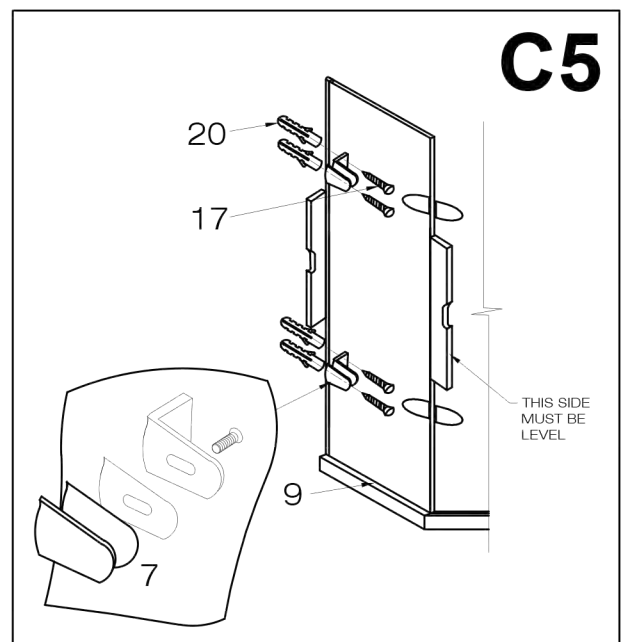
3. Make sure glass panel is level to the wall. Be sure to install the correct glass with the correct rail. Place the side glass panel into the bottom rail (#9). Use the level to position the side glass panel correctly. Make sure the seal strip is against the wall. Mark holes on the wall for the mounting screws.



4. Remove the side glass panel. Drill holes into respective marks and insert plastic anchors (#20) inside them. **⚠ Not necessary if installing into studs. Studs are the preferred means of installation, anchors can pull out of the wall causing property damage and bodily harm.**



5. Replace the front glass panel back into the bottom rail and screw it to the wall with 1 5/8" screws (#17). If the panel is not level from the end, adjust the position of the glass supports on the glass. This being level is imperative to the installation.



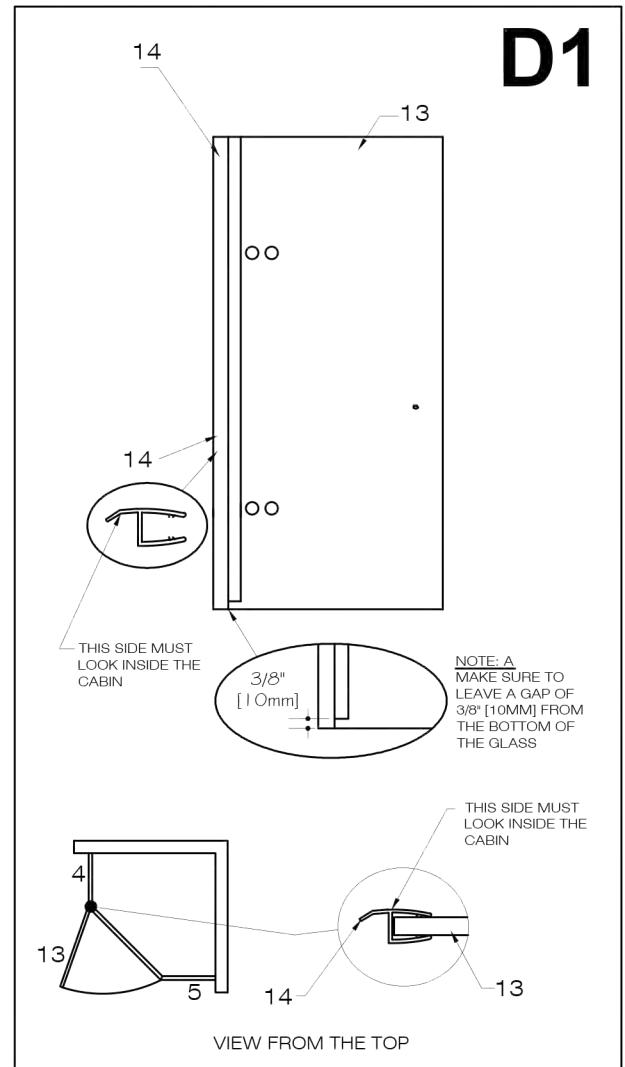
## D. INSTALLING THE WATER SEAL STRIP TO DOOR PANEL

1. Clean the door glass panel (#13) edge where the door side seal strip (#14) is to be installed with rubbing alcohol. Verify that the soft flange of the seal strip faces toward the inside of the shower cabin before seal strip installation. Install the seal strip according to the diagram.

**See Note: A. Leave the extra top of the seal strip that is overlapping the glass and cut at finish of install.**

### NOTES:

1. If the seal strip is not flat or twisted, use hot water and a hair dryer to apply minimal heat and press the seal strip back into position.
2. Part #14 is reversible and pre-cut on top and bottom to fit in proper configuration. Cutting/finishing is needed but only after fully installing and only at the top of the unit.

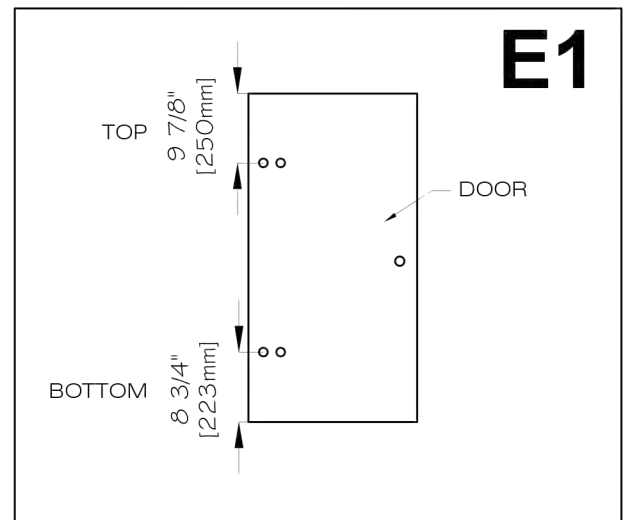


### **!** WARNING

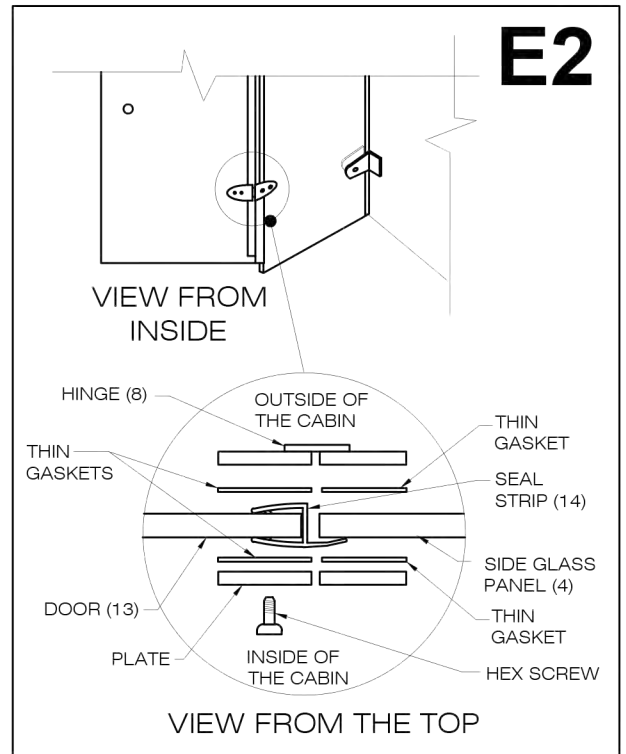
DOOR PANEL INSTALLATION REQUIRES TWO OR MORE PEOPLE TO ASSIST

## E. INSTALLING THE DOOR

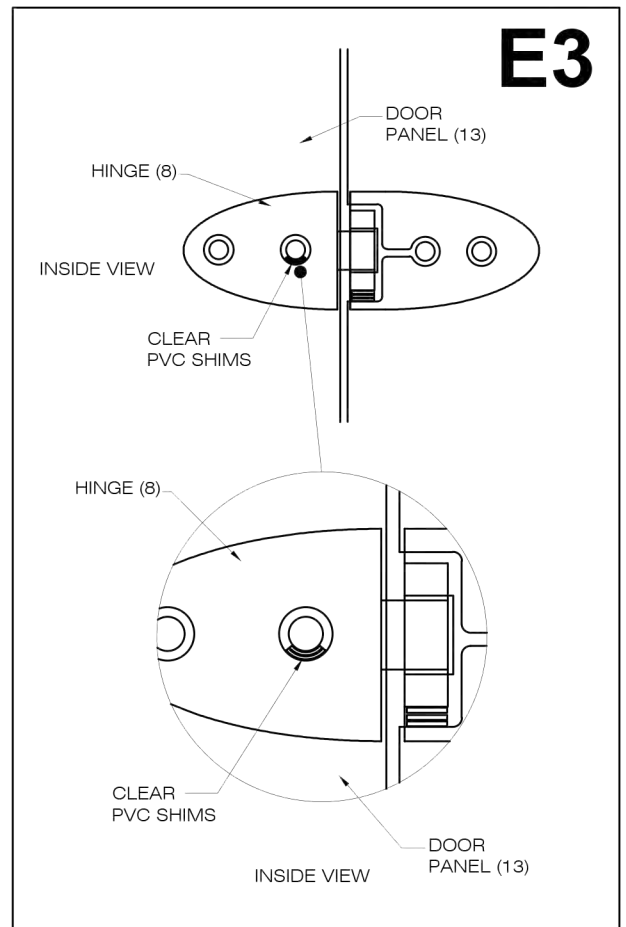
1. Make sure you have the door right side up. The distance at the top is slightly larger than the distance at the bottom.



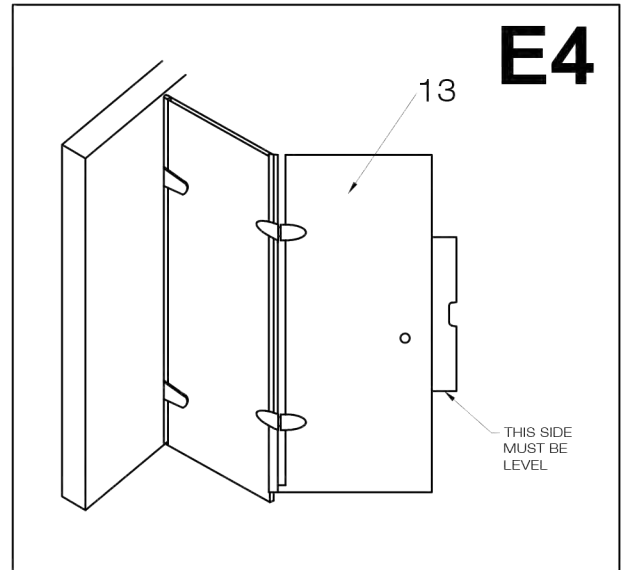
2. Place the door on a 5/8" shim (not provided). Install the top hinge first for safety and ease of install. Position the door onto the hinges. Hold securely in place using shims. The seal (#14) may get stuck between the two panels of glass. Pull the seal out of the groove using your fingers and nothing sharp, making sure not to damage the seal. Tighten allen key screws. Install the hinges as illustrated. Use the hex key supplied. Adjust hinge so the gaps are equal at top and bottom and pull door panel away from side panel to allow the door to swing freely without crimping seal strip (#14).



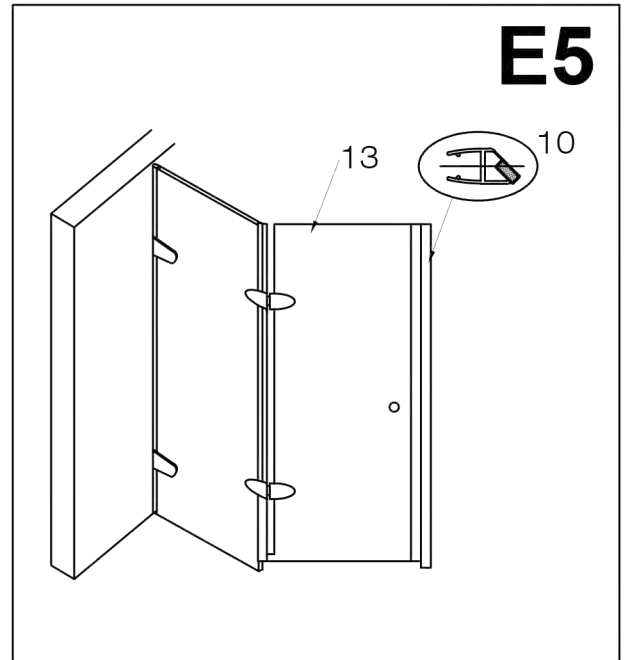
3. Lift door panel to be level with hinge panel. Use PVC shims provided to hold firmly in place. **NOTE - You may need to add more than one shim per hinge as glass hole openings vary during production. PVC shims prevent the door from sagging due to gravity and the weight of the door. ⚠ Never install without shims, this can cause the glass to break causing property damage and bodily harm.**



4. Make sure the door is level from the end. If the door is not level, adjust the hinge positions until the door is level. This being level is imperative to the installation and will guarantee a tight seal.

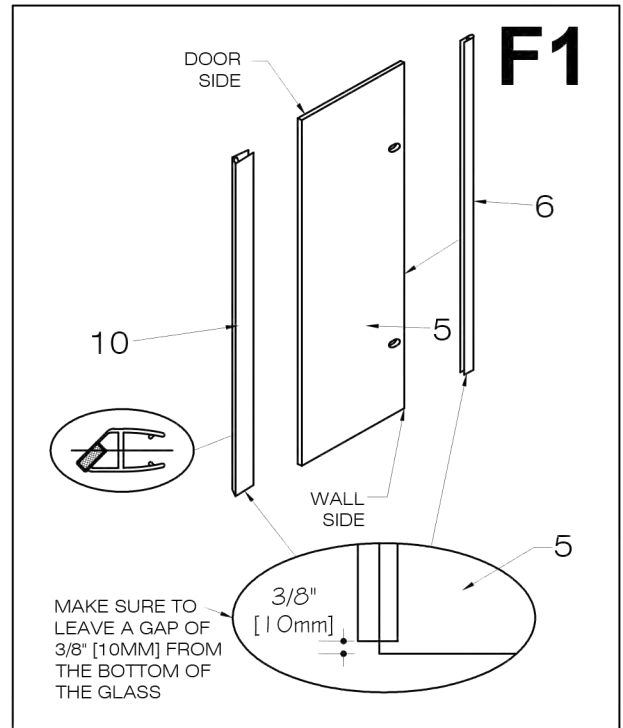


5. Clean the door (#13) glass surface where the seal strip (#10) is to be installed with rubbing alcohol. Place magnetic seal strip (#10) to the panel. The magnetic side should be facing the inside and the clear side be facing the outside. Do not install the handle first, this is dangerous and may cause the glass to break. The door magnetic seal strip (#10) is reversible and will need to be cut at top for best aesthetic approach.

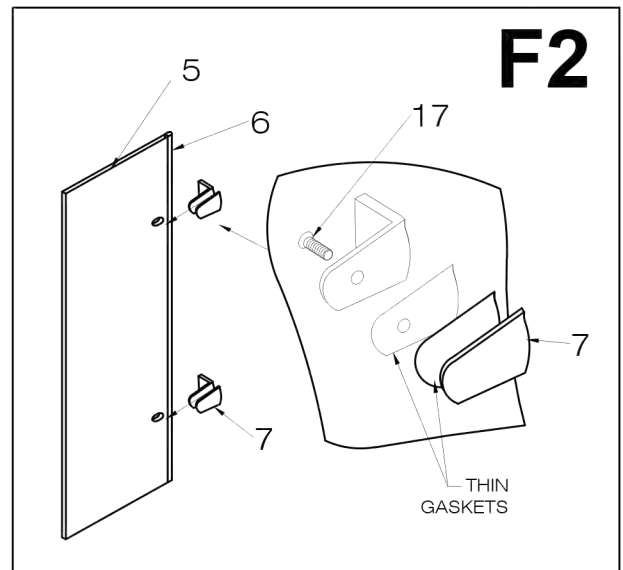


## F. INSTALLING SIDE GLASS PANEL (PART #5)

1. Install the side seal strip (#6) to the wall side of the side glass panel (#5). Install the magnetic side seal strip (#10) to the door side. The magnetic side should be facing the inside and the clear side be facing the outside. Be sure to place the seal strip (#6) 10mm from the bottom of the glass. Installing the magnetic seal strip prior to locating the place for the glass support allows for proper seal. You may need to adjust the magnetic seal strip placement after full install to guarantee proper placement on the top of the corner joint. It should rest tight on the corner joint in order to prevent water leakage.

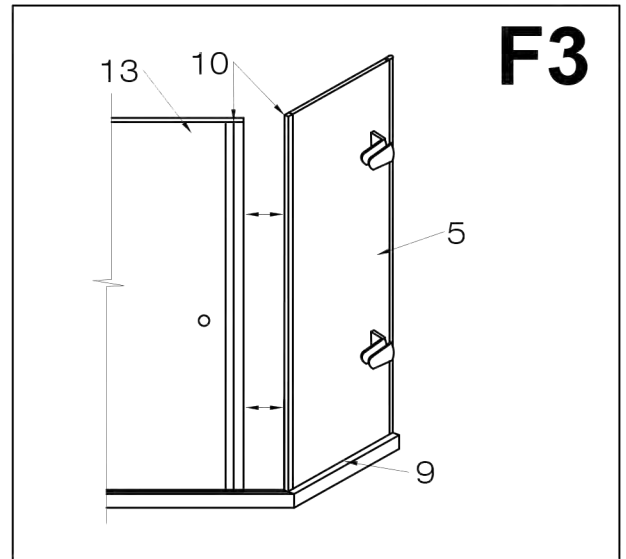


2. Screw in the glass support (#7) to the side glass panel (#5) using the hex key (supplied). Be sure to use washers on both sides of the panel. **⚠ Do not completely tighten. Leave rather loose so they can slide on the glass panel**

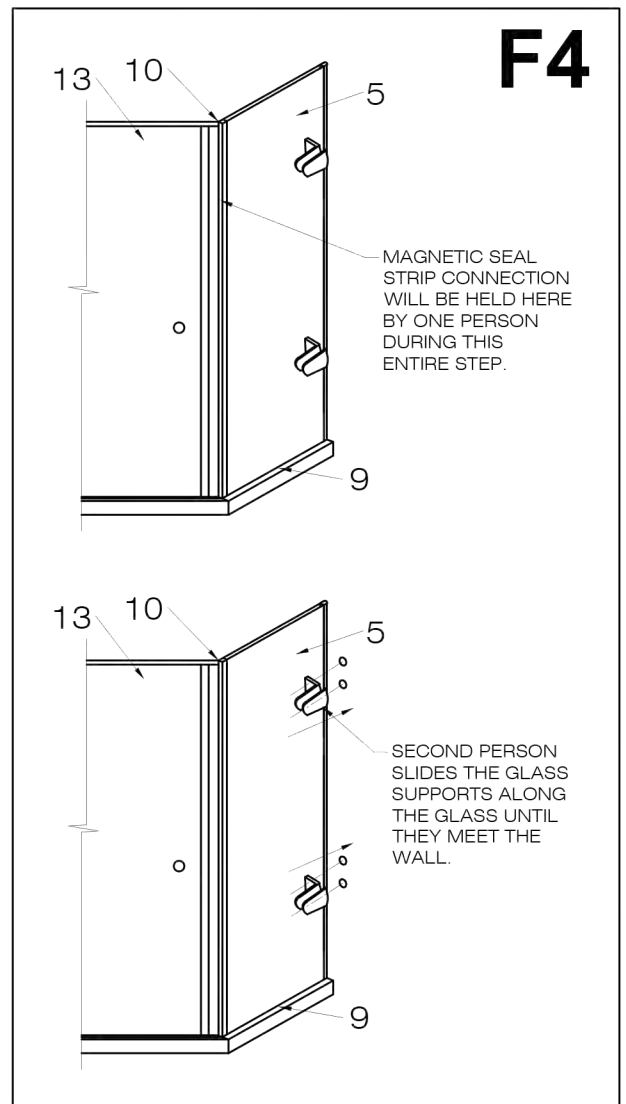




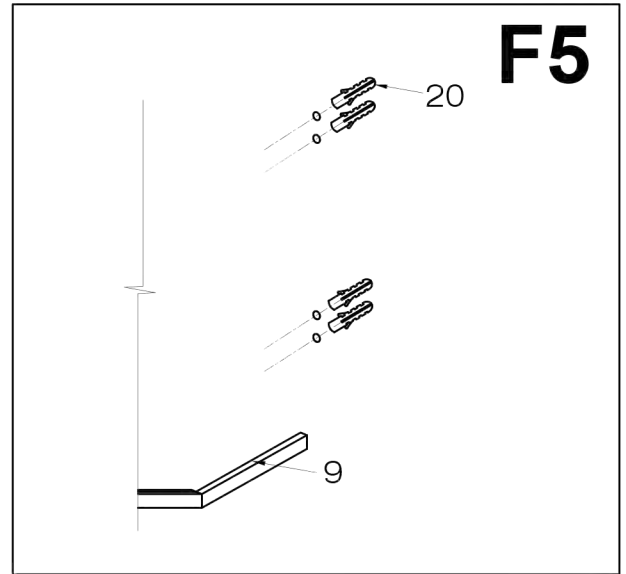
3. Place the side glass panel (#5) into the bottom rail (#9). Connect the side glass panel (#5) to the door (#13) by the magnetic seal strips (#10).



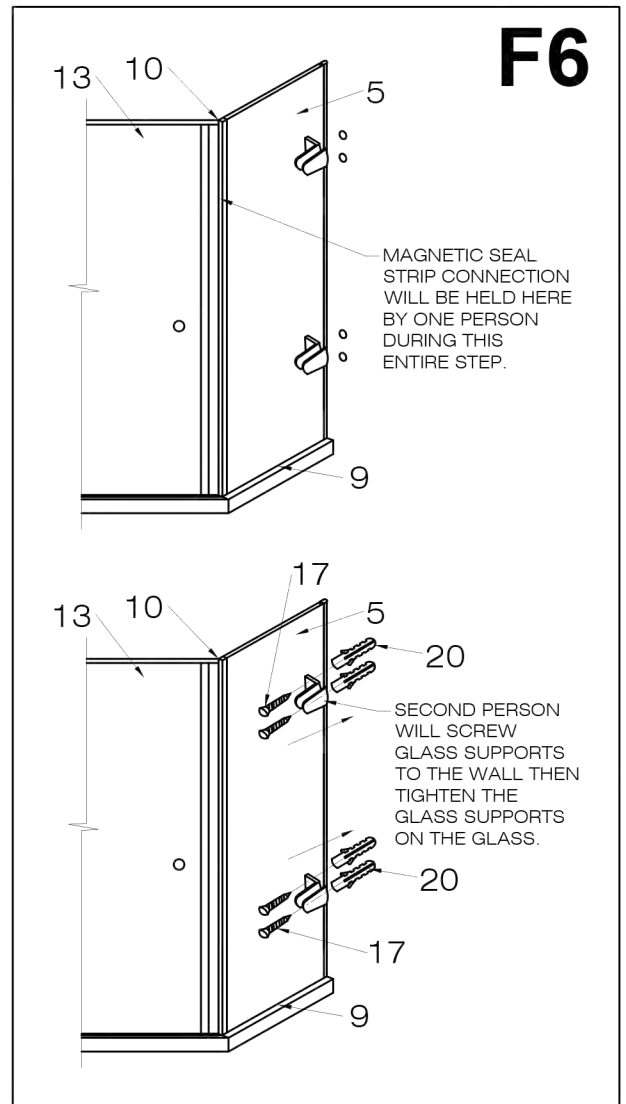
4. One person must hold the connection at the magnetic seal strips (#10) in place. The other person, with the glass supports loose on the glass, will slide the supports along the glass to the wall and mark holes on the wall for the mounting screws.



5. Remove the side glass panel. Drill holes into respective marks and insert plastic anchors (#20) inside them. **⚠ Not necessary if installing into studs. Studs are the preferred means of installation, anchors can pull out of the wall causing property damage and bodily harm.**

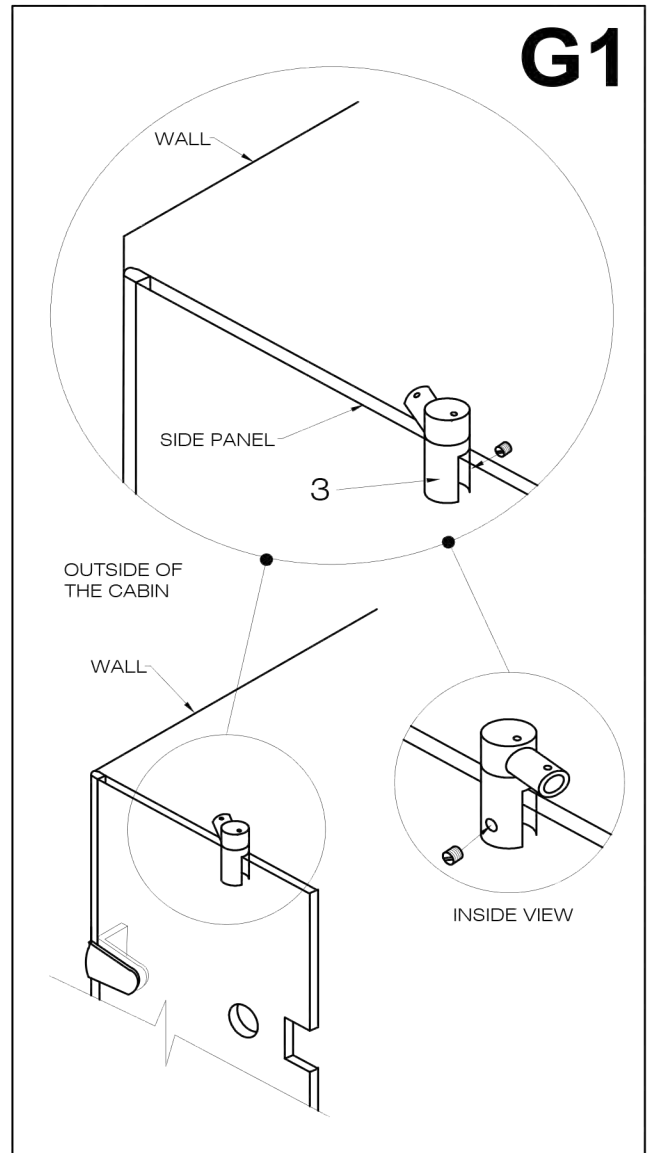


6. Replace the side glass panel (#5) back into the bottom rail and screw it to the wall with 1 5/8" screws (#17). Tighten the glass supports to the side glass panel. **NOTE: One person should be holding the side panel and door panel closed (with the magnetic seal strips on) while the other person screws in the glass supports. This will ensure a proper seal. If the door and side panel pull away at the seal, then it is recommended to modify the position of the glass supports along the glass or thickness of gaskets between the wall and glass support. This is done by adding or removing the clear PVC gaskets and sliding the glass support, in a perpendicular direction closer or further from the wall.**

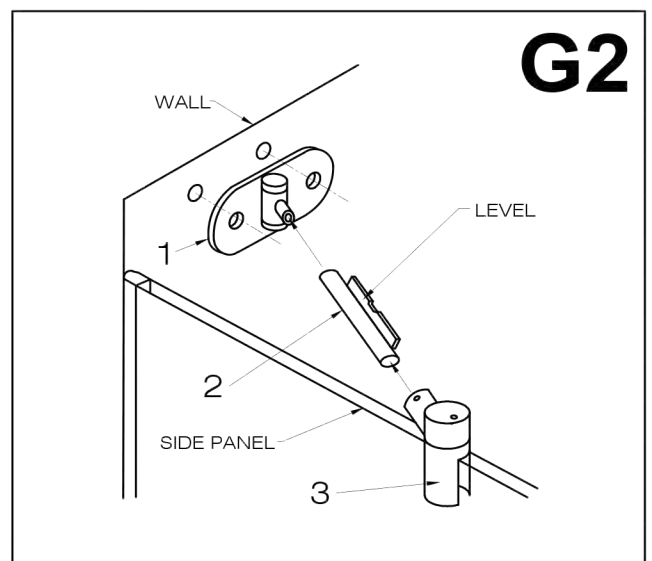



## G. INSTALLING THE SIDE & FRONT PANEL SUPPORT

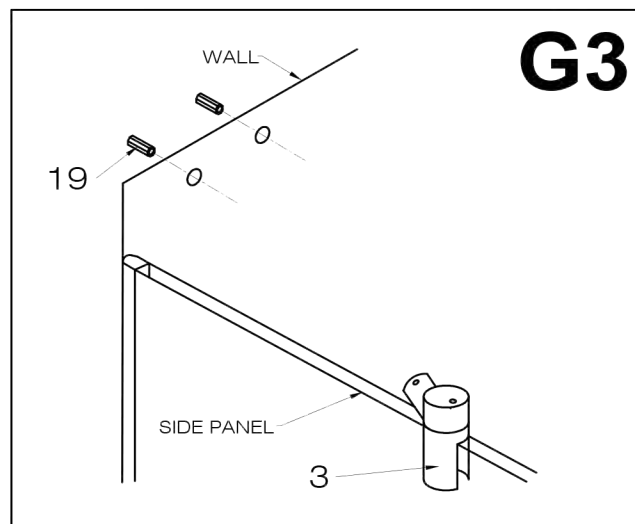
1. Install the support assembly (#3) onto the side glass panel (#4) approximately two-thirds away from the wall. Use hex key to tighten to screws.



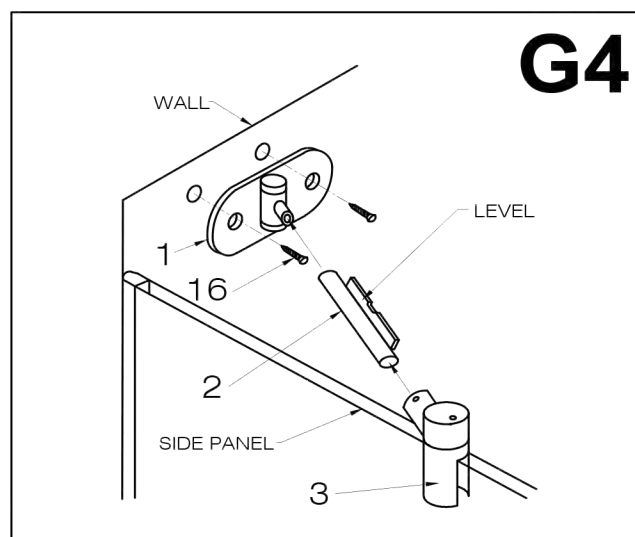
2. Install the support assembly to the structural arm (#2) and wall connector (#1). Make sure it's level. Mark the holes on the wall for the mounting screws for the wall connector.



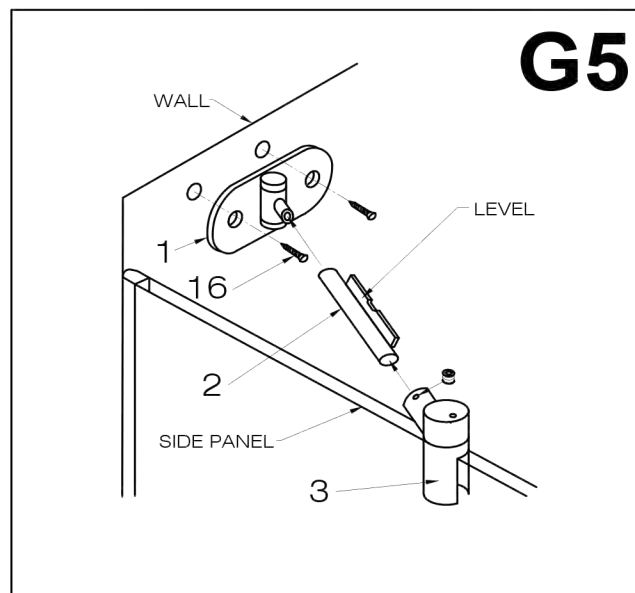
3. Remove the support assembly. Drill holes into respective marks and put plastic anchors (#19) in them.  **Not necessary if installing into studs.**



4. Replace wall connector to proper position. Screw it in to the wall with 1 1/8" screws (#16).

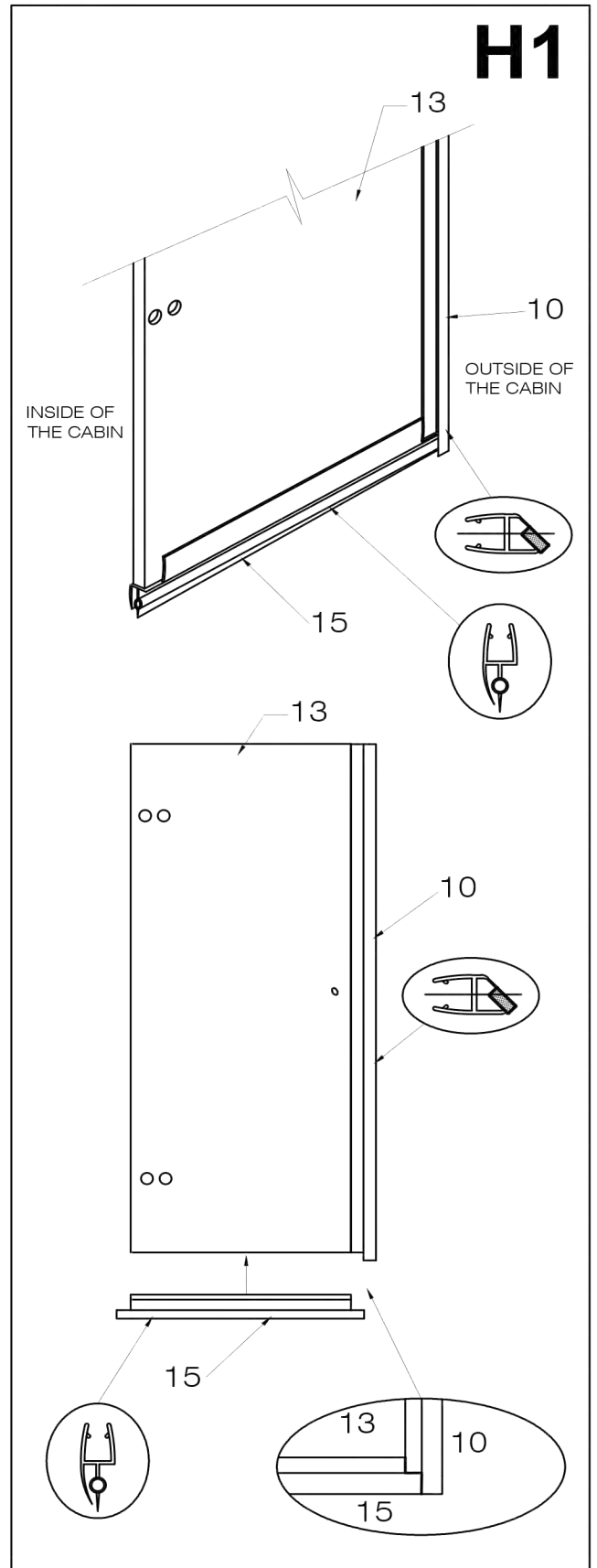


5. Slide the structural arm (#2) into the wall connector (#1). Tighten all set screws. Repeat Steps 1 through 5 to install the other support assembly to the other side glass panel.



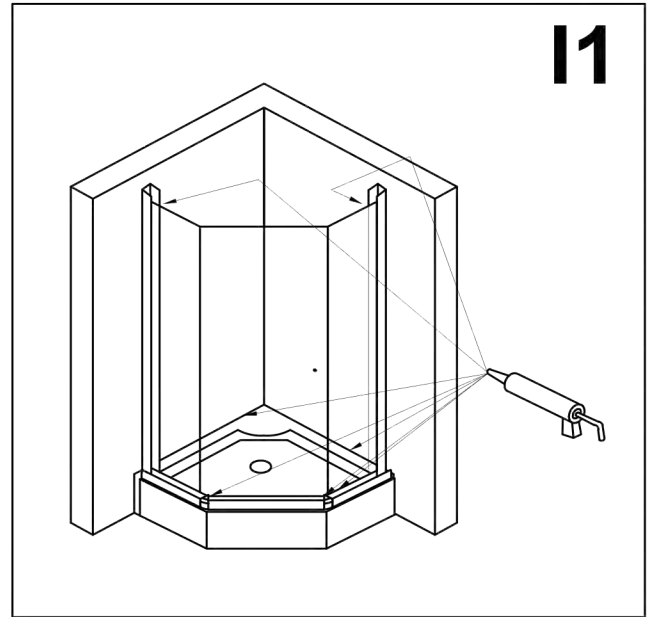
## H. INSTALLING PRE-CUT BOTTOM DOOR SEAL STRIP

1. Clean the door glass panel (#13) edge where the door bottom side seal strip (#15) is to be installed with rubbing alcohol. Verify that the soft flange of the seal strip faces toward the inside of the shower cabin before seal strip installation. Install the seal strip according to the diagram. **NOTE: If the seal strip is not flat or twisted, use hot water and a hair dryer to apply minimal heat and press the seal strip back into position.**

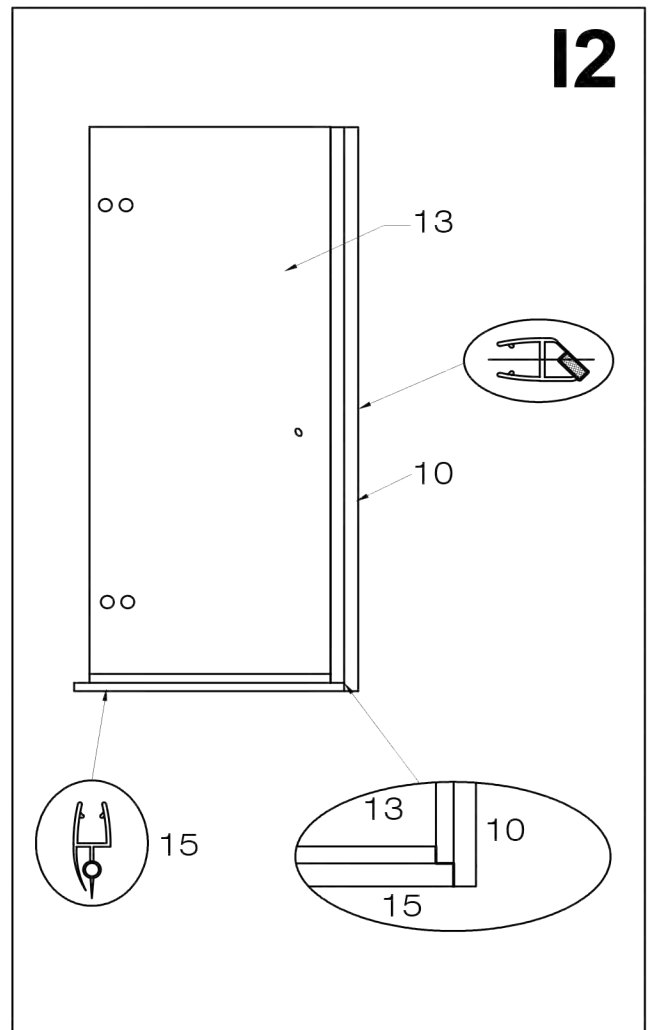


## I. APPLYING THE SILICONE

1. Apply clear silicone caulking to the inside between the wall and side seal strip. Apply clear silicone caulk to the inside between the bottom of side glass panels (#4, #5) and bottom rail. Apply clear silicone caulk around the inside perimeter of the bottom rail.

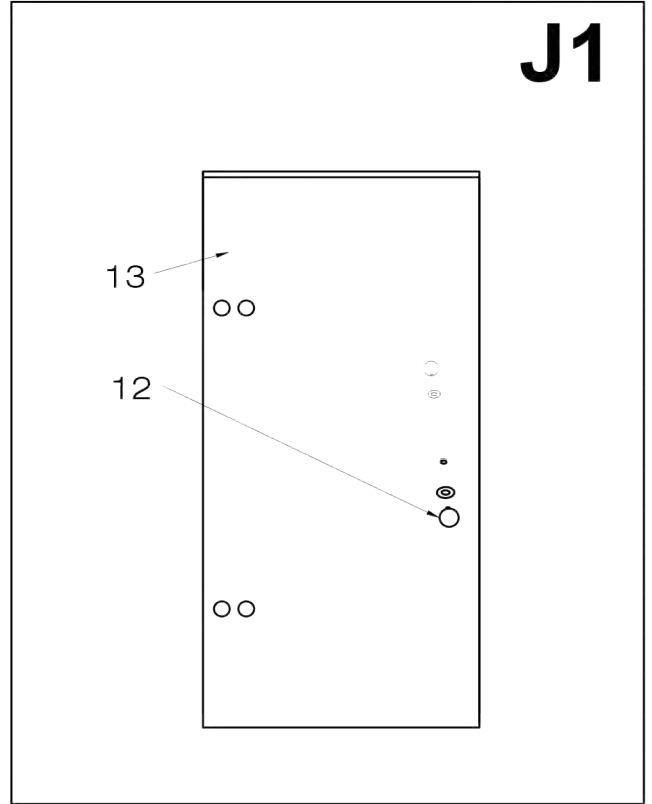


2. Apply clear silicone caulk to the seal strip connections of the door bottom seal strip and the door magnetic seal strip.



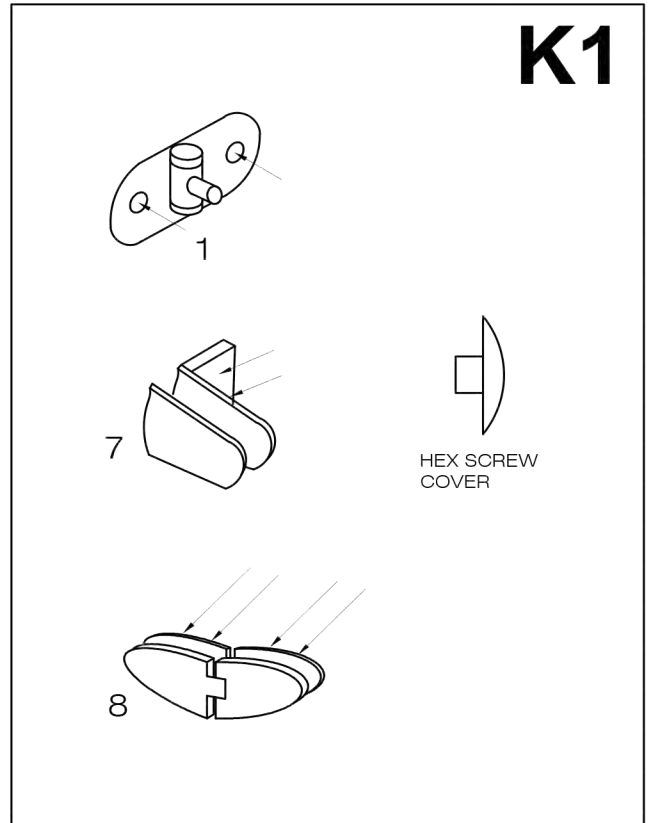
**J. HANDLE INSTALLATION**

1. Assemble the door handles (#12) to the door (#13).



**K. INSTALLING HEX SCREW COVERS**

1. Install hex screw covers (#21) to the hex screws that mount the hinges, wall connectors, and glass supports.



**! IMPORTANT**

- WAIT 24 HOURS BEFORE USING SHOWER
- DO NOT ALLOW WATER TO DIRECTLY HIT DOOR SEAL STRIPS.

**CLEANING INSTRUCTIONS FOR THE SHOWER CABIN AND DOOR PANEL**

1. Use a mild liquid household cleaner to keep metal surfaces bright and clean. Rinse well and dry with a soft, clean cloth.
2. Remove dust with a soft, damp cloth.
3. Use a standard household window cleaner to clean the glass panels.
4. A water beading treatment, similar to what you would use on an automobile windshield, can be used on the inside of the glass to keep it looking brand new.
5. Use rubbing alcohol to clean and remove grease, oil, paint and ink.
6. Should you accidentally scratch or stain your shower enclosure, use a liquid automobile polish to remove.

**! IMPORTANT**

1. DO NOT use abrasive cleaners, scrapers, metal brushes or any items that could scratch or dull the surface.
2. DO NOT allow surface to come in contact with acetone (nail polish remover), dry cleaning solution, lacquer thinner, gasoline or other similar products.

If you are experiencing water build up in the top portion of the rail, it is recommended to drill small holes on the top inside portion. Space holes every 6"-8". Stay within 3" from the end of the rail.

