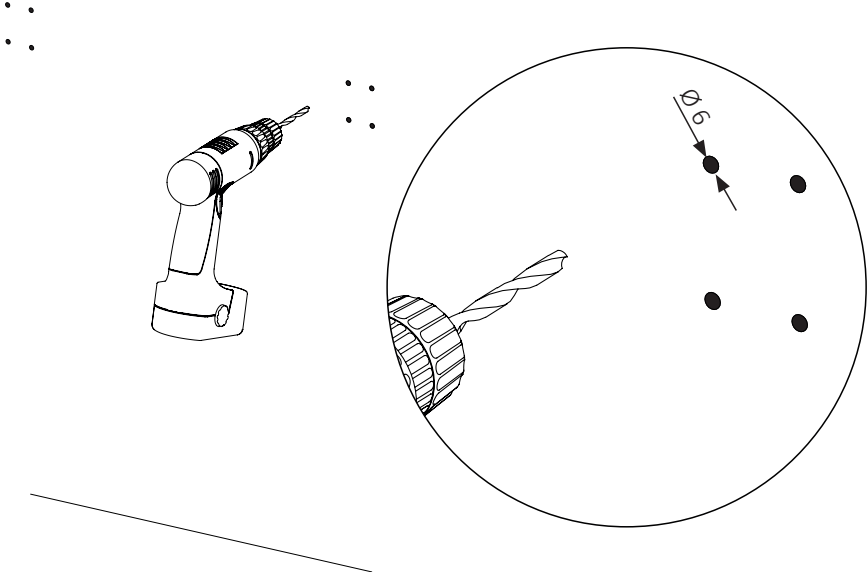


# INSTALLATION GUIDE Linear Collection

## STEP 1

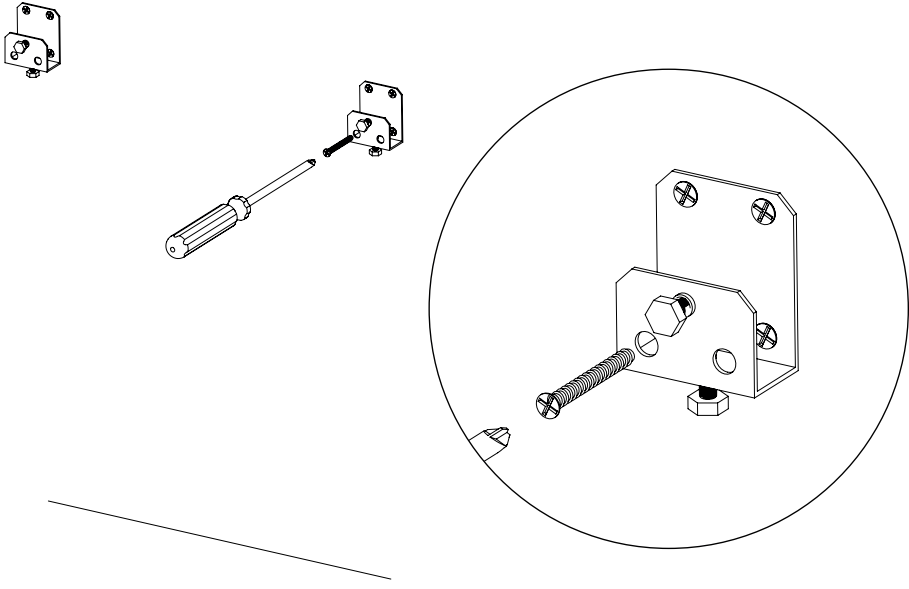
---



Drill holes in the wall to install the Decofix System in the next step.

## STEP 2

---



Screw the Decofix System to the wall.

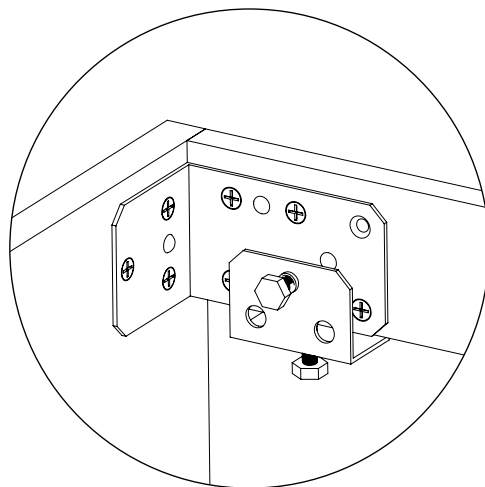
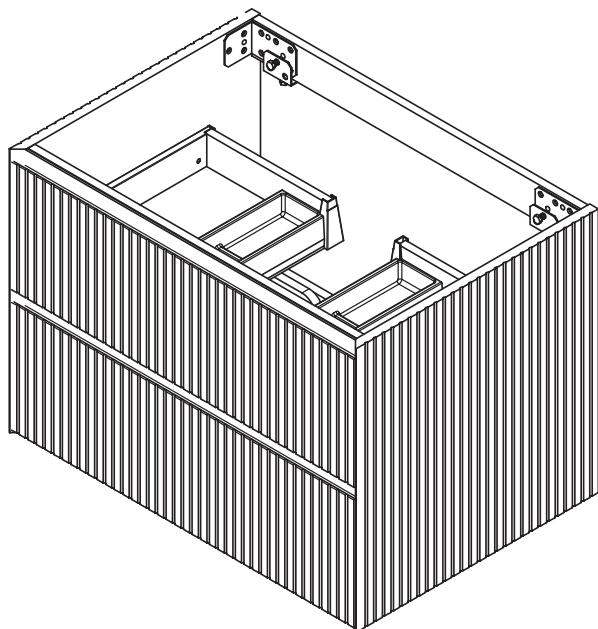
# INSTALLATION GUIDE

Linear Collection

tilebar

## STEP 3

---

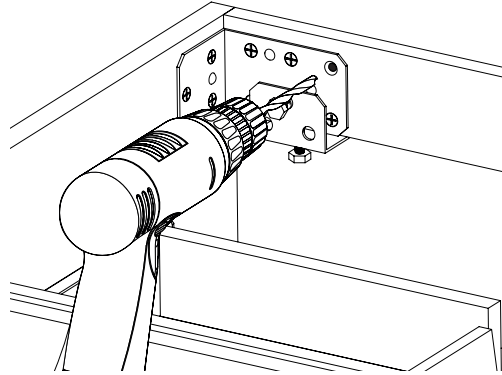


Adjust the position screwing the screws.

# INSTALLATION GUIDE Linear Collection

## STEP 4

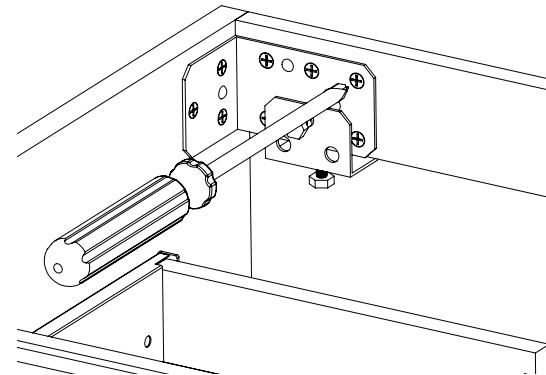
---



Drill an extra hole using the Decofix System as a guide to bring major strength to the union.

## STEP 5

---



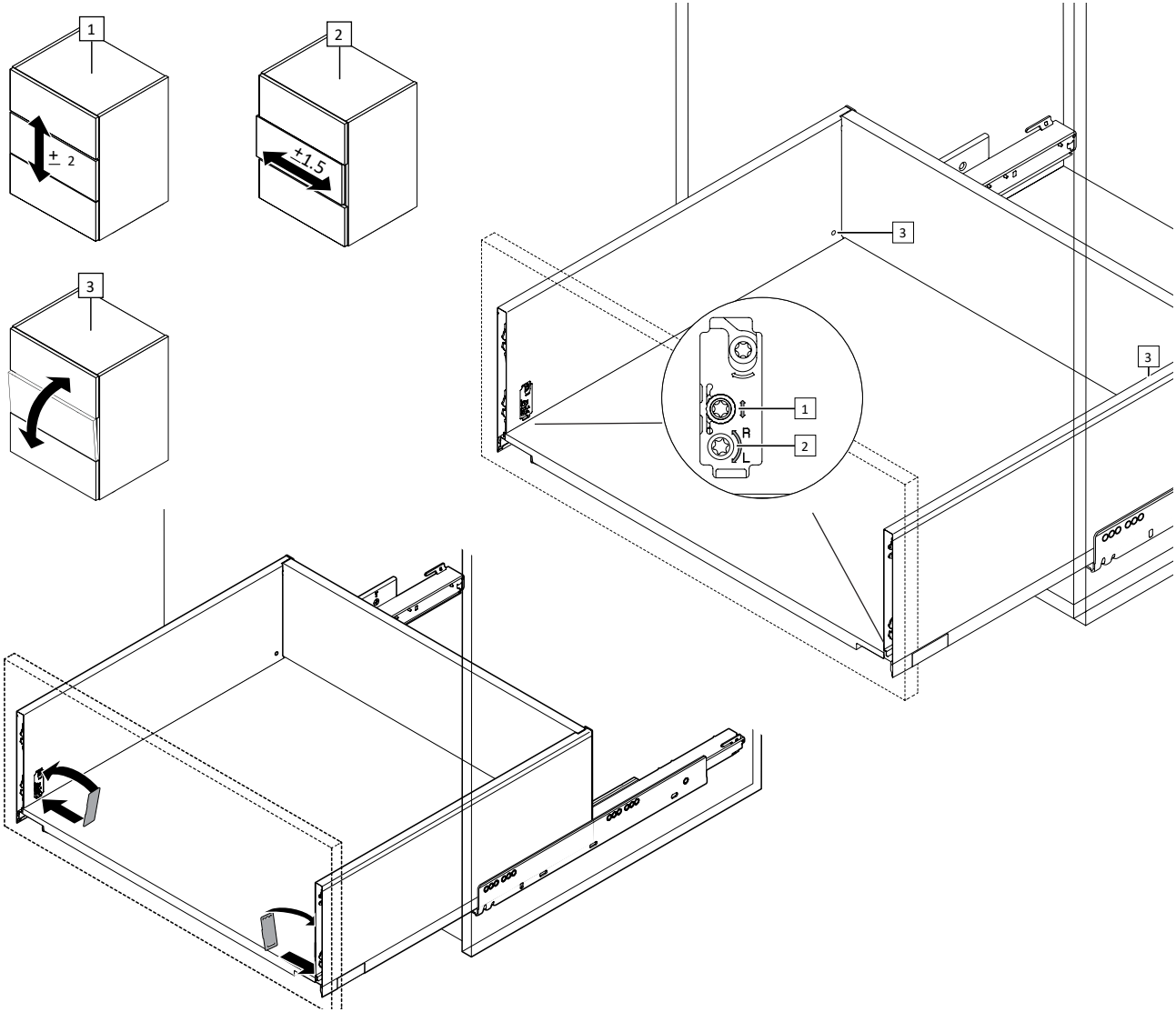
Screw the main body to the wall in order to bring more security to the installation.

# INSTALLATION GUIDE

Linear Collection

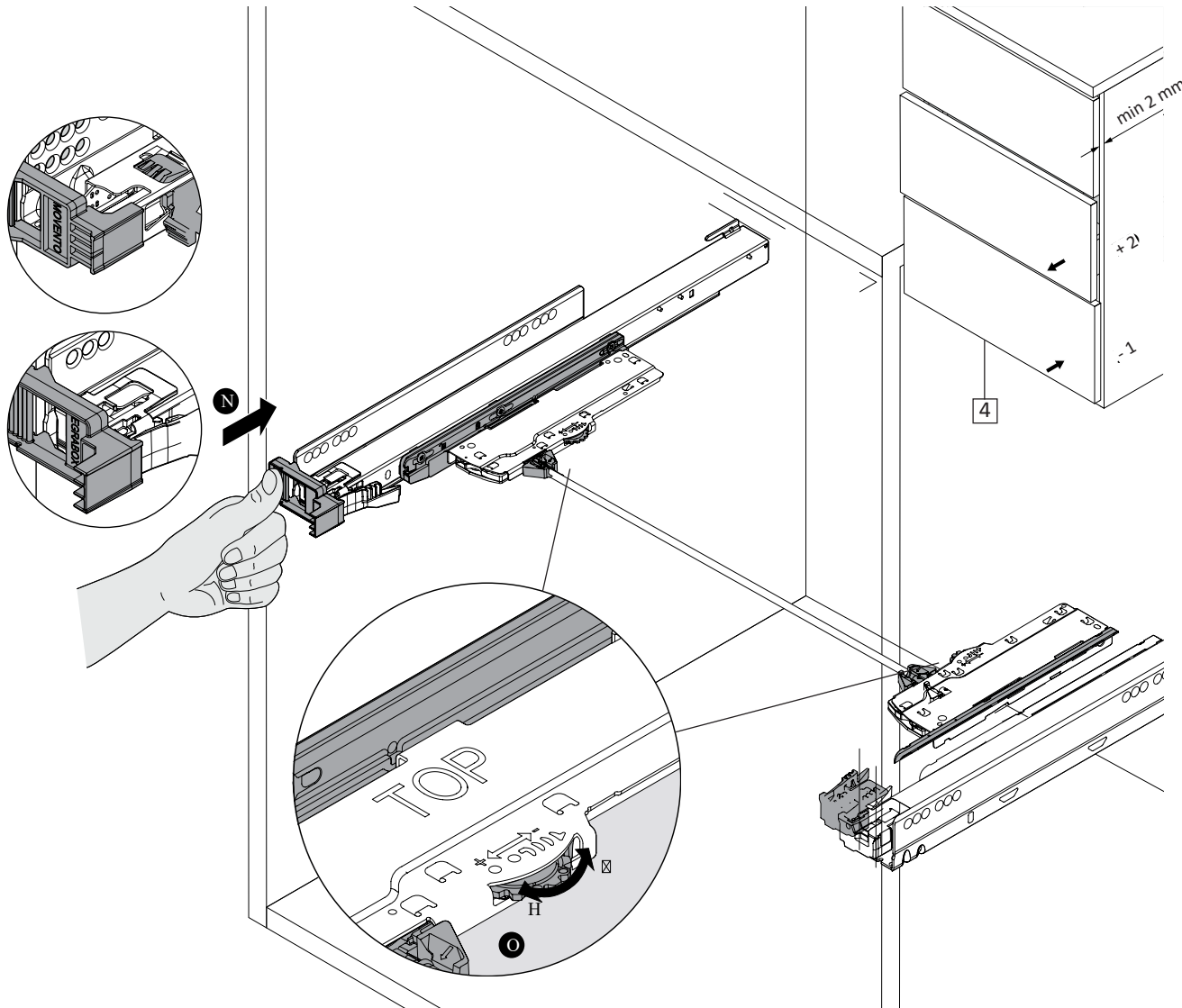


## ADJUSTING (IF NEEDED)



# INSTALLATION GUIDE Linear Collection

## ADJUSTING (IF NEEDED)



## MAINTENANCE, CARE & EXTRAS

### GLOSS:

For regular cleanings, use a soft cotton cloth dampened with water. For a thorough clean, use solvent-free glass cleaners and dry with a soft cloth.

### METAL PARTS:

It is strongly recommended to clean with a damp cloth and dry carefully with a soft cloth.

### MARBLE:

To clean marble, use a PH-neutral cleaning formula. Avoid using glass cleaners, generic cleaners, or any other product not specifically labeled to be used on marble surfaces.