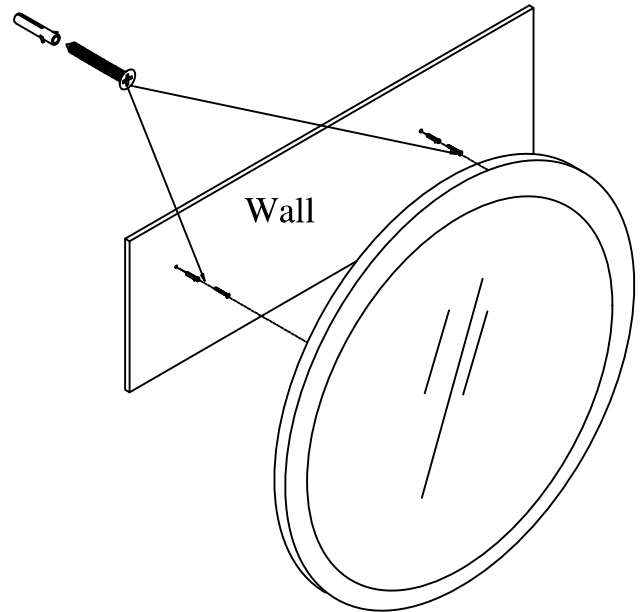
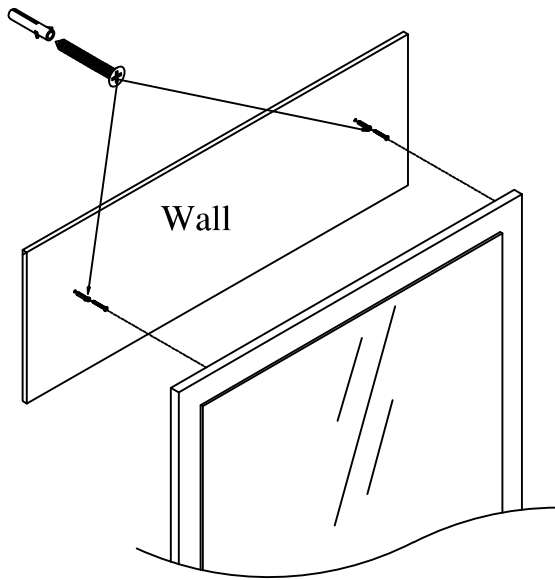
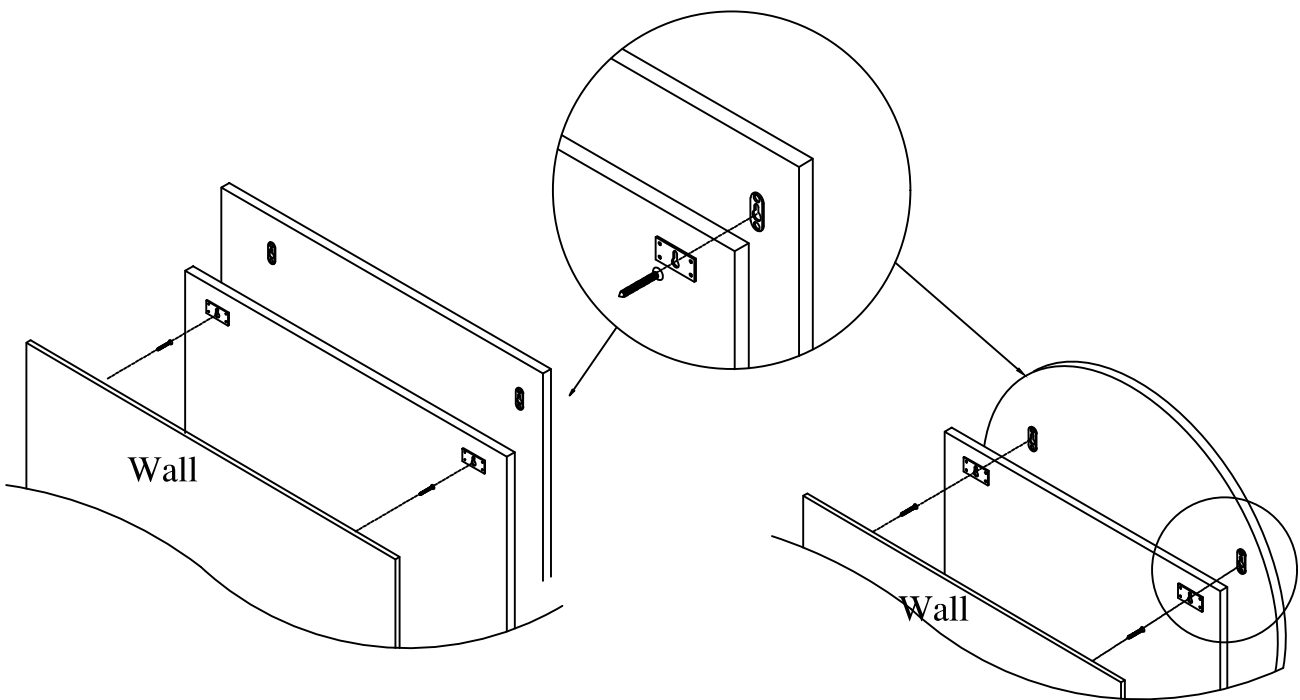


Mirror with Keyhole Style Hangers  
Assembly/Installation Instructions



These heavy-duty hangers ship pre-attached to the back side of the James Martin Mirrors.



**IMPORTANT NOTE:**

James Martin Vanities Company always recommends you consult and/or hire a professional contractor when installing your Mirror.