

Technical Information — Sizes

VersaEdge Extra Tall

The VersaEdge Stair Nose combines style and function to enhance the beauty of a staircase or step. For use on flooring with an overall thickness of up to 19 mm (0.75").

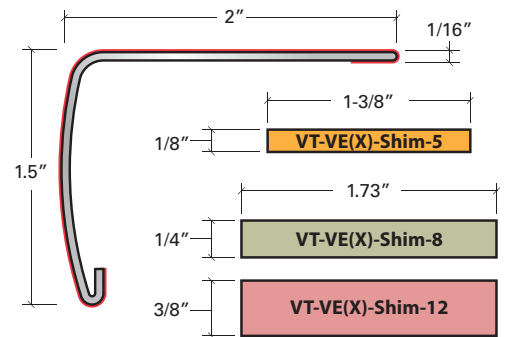
Surface Material: High Wear Resistant Aluminum Oxide Laminate

Core Material: Aluminum

VT-VEX Shim

To be used with VersaEdge for floors for flush installations (See illustrations at bottom right).

Material: Standard MDF/HDF



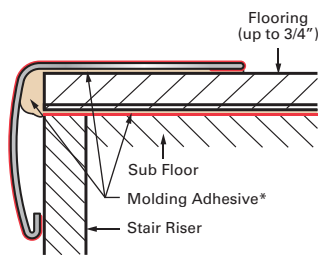
Installation

Overlap Install

Locked Down Install

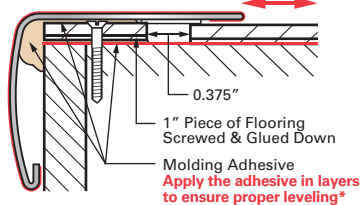
Used where floating of the floor is not required, as with Stair Tread or Glued-Down/Nailed-Down floors. This can be used on floating floors where expansion and contraction will occur on the opposite side of the flooring plane.

Laminate/Engineered Wood Vinyl/LVT

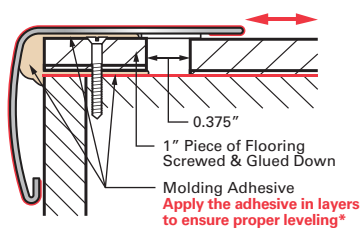


Floating Install

Vinyl/LVT



Laminate/Engineered Wood

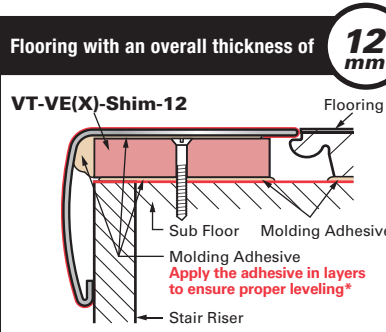
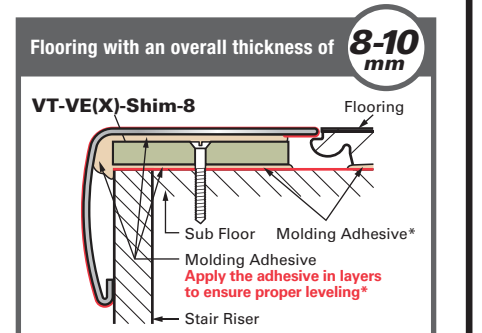
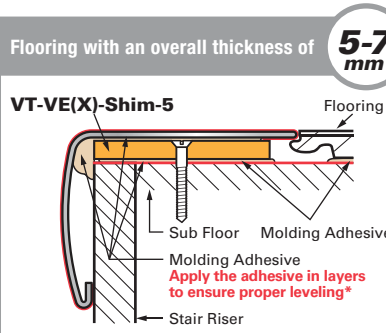
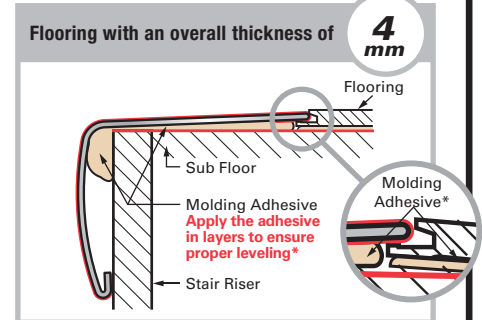
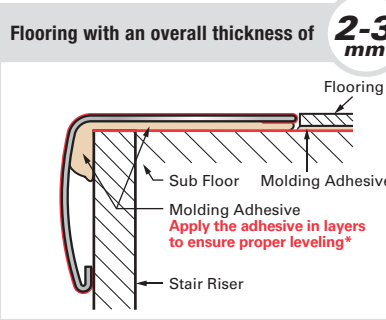


Flush Install

Locked Down Install

Used where floating of the floor is not required, as with Stair Tread or Glued-Down/Nailed-Down floors. This can be used on floating floors where expansion and contraction will occur on the opposite side of the flooring plane.

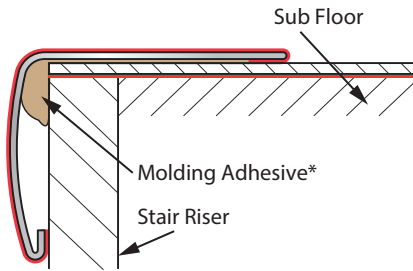
Tongue side of plank MUST face the VersaEdge. VersaEdge, Shims, and flooring planks must be glued down to subfloor.



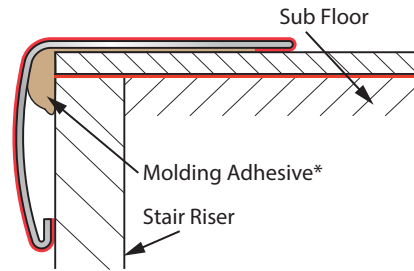
*Versatrim adhesive is the only molding adhesive you'll need for all flooring trims and moldings. With our advanced anti-shrink formula, you can apply our adhesive in layers to ensure proper leveling in all job applications. For more information, go to: versatrim.com/molding-adhesive.

Vinyl Floors

For 2.5 mm Vinyl Floors

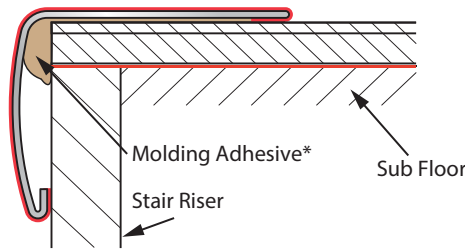


For 4.5 mm Vinyl Floors



WPC Floors

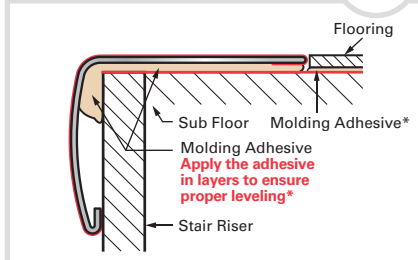
For 7.5 - 10 mm WPC/LVT Floors



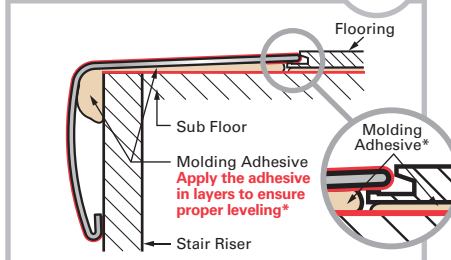
Optional Flush Install for Vinyl/WPC

For 2.5, 4.5, 5-7, or 8mm Floors

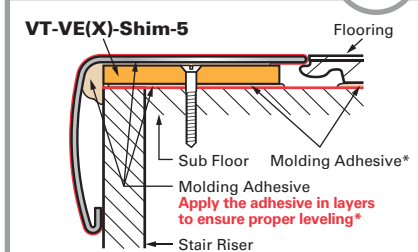
Flooring with an overall thickness of **2.5 mm**



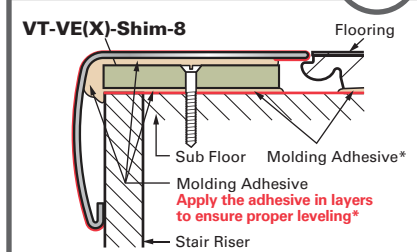
Flooring with an overall thickness of **4.5 mm**



Flooring with an overall thickness of **5-7 mm**

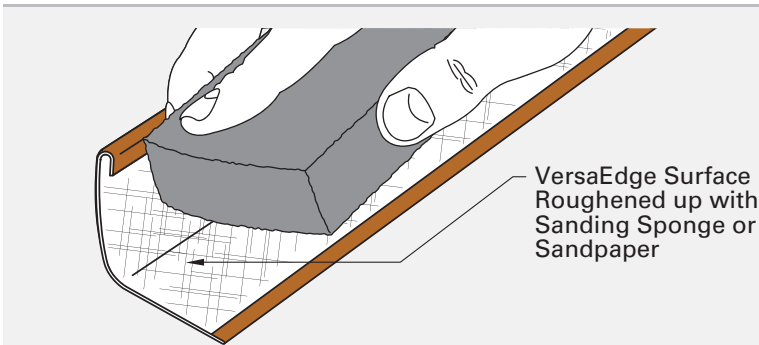
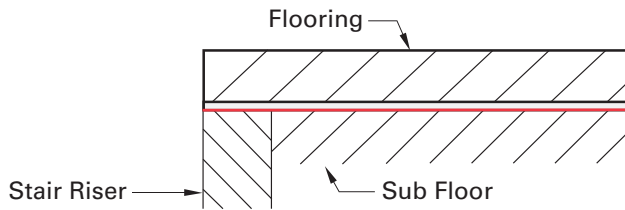


Flooring with an overall thickness of **8-10 mm**



"LOCK-DOWN" INSTALLATION

Flooring with an overall thickness of up to 19 mm (0.75")



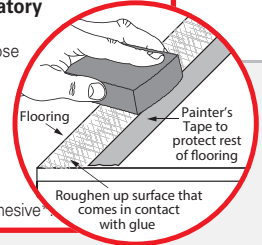
Step 1

Install the riser flush to the stair. Glue down flooring planks (for more details see manufacturers recommendations). Then, clean flooring and molding as directed below:

CLEANING PREPARATION FOR BOTH SURFACES

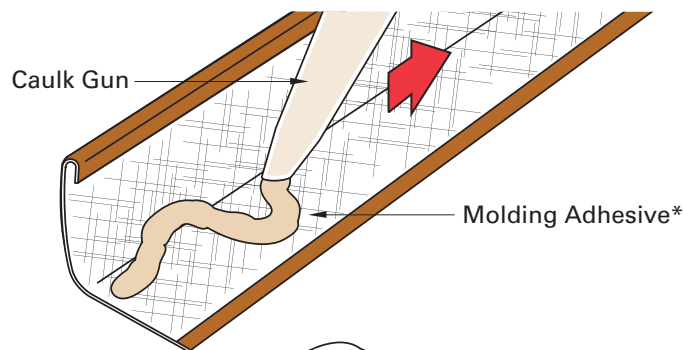
Preparing the floor & molding as outlined is mandatory to achieve the required bonding strength

1. Use a damp cloth (water only) to clean both surfaces of loose particles or surface films.
2. Roughen the surfaces with sandpaper (100-150 grit), sanding sponge or metal brush. For flooring, only roughen up area that will be covered (1.25" to 1.5").
3. Degrease both surfaces to remove all traces of oil, grease, dust, and fingerprints by using a solvent such as methyl ethyl ketone (MEK), acetone or isopropyl alcohol.
4. Let both surfaces dry thoroughly before applying Molding Adhesive.



Step 2

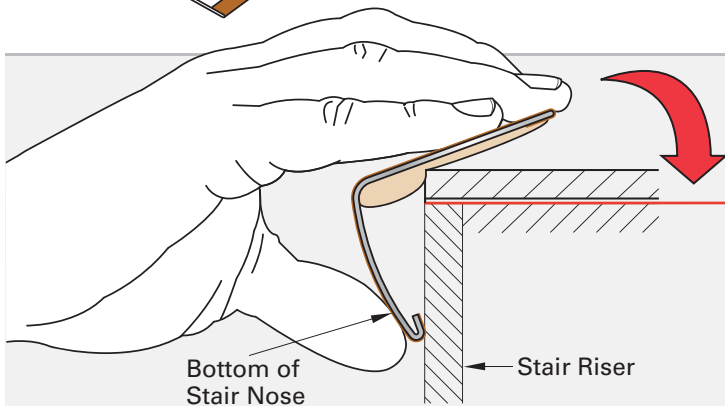
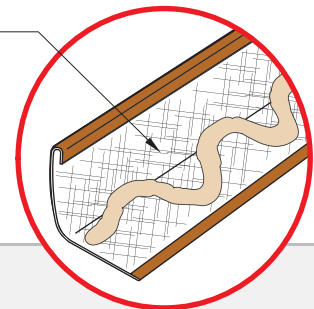
Turn VersaEdge over and roughen the inside surface of the VersaEdge to increase bond by means of 60 grit sandpaper, sanding sponge, or a metal brush.



Step 3

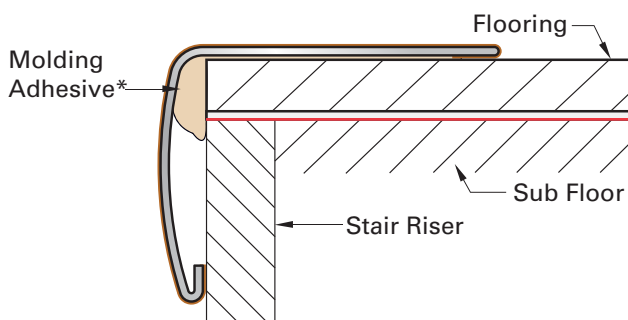
Next, apply a generous bead of **Versatrim's Molding Adhesive*** along the entire inside corner.

Underside of molding generously covered with Molding Adhesive*



Step 4

Touch the bottom of molding to the stair riser and carefully roll the stair nose in place. Make any final adjustments before you push the molding all the way down. Once it's in the final position, press down firmly with your hands and make your way down the entire stair nose. It may take 2 or 3 passes to set it firmly in place.



Step 5

Let the Molding Adhesive* cure for at least 4 hours before any walking on it. For exposure to full traffic, wait 24 to 48 hours.

NOTE: Complete cure takes 48 hours.

* For more information, go to: versatrim.com/molding-adhesive

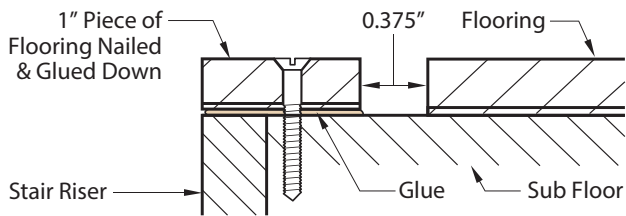


VersaEdge Extra Tall Stair Nose

Installation on flooring with an overall thickness of up to 19 mm (0.75").

"FLOATING" INSTALLATION

Flooring with an overall thickness of up to 19 mm (0.75")



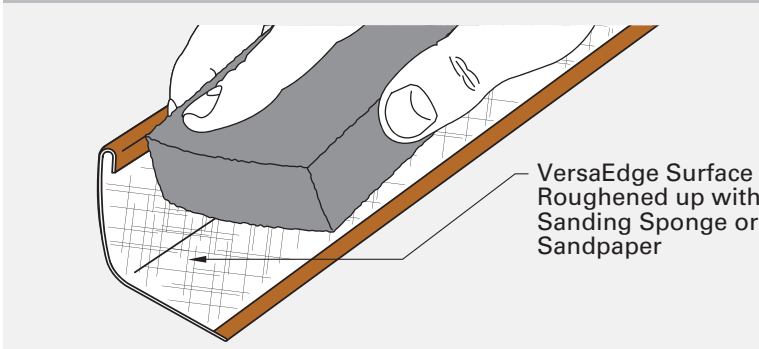
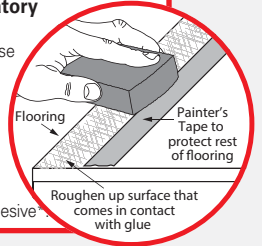
Step 1

Install the riser flush to the stair. Cut a 1" wide strip of your floor. Drill, counter-sink, screw and glue it flush to the stair riser. Install flooring 0.375" from the glued down 1" strip. **DO NOT glue flooring down.** Clean flooring and molding as directed below:

CLEANING PREPARATION FOR BOTH SURFACES

Preparing the floor & molding as outlined is mandatory to achieve the required bonding strength

1. Use a damp cloth (water only) to clean both surfaces of loose particles or surface films.
2. Roughen the surfaces with sandpaper (100-150 grit), sanding sponge or metal brush. For flooring, only roughen up area that will be covered (1.25" to 1.5").
3. Degrease both surfaces to remove all traces of oil, grease, dust, and fingerprints by using a solvent such as methyl ethyl ketone (MEK), acetone or isopropyl alcohol.
4. Let both surfaces dry thoroughly before applying Molding Adhesive.



Step 2

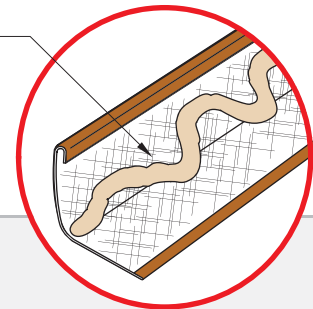
Turn VersaEdge after following the cleaning preparation above.

Step 3

Next, apply a generous bead of **Versatrim's Molding Adhesive*** along the entire inside corner.

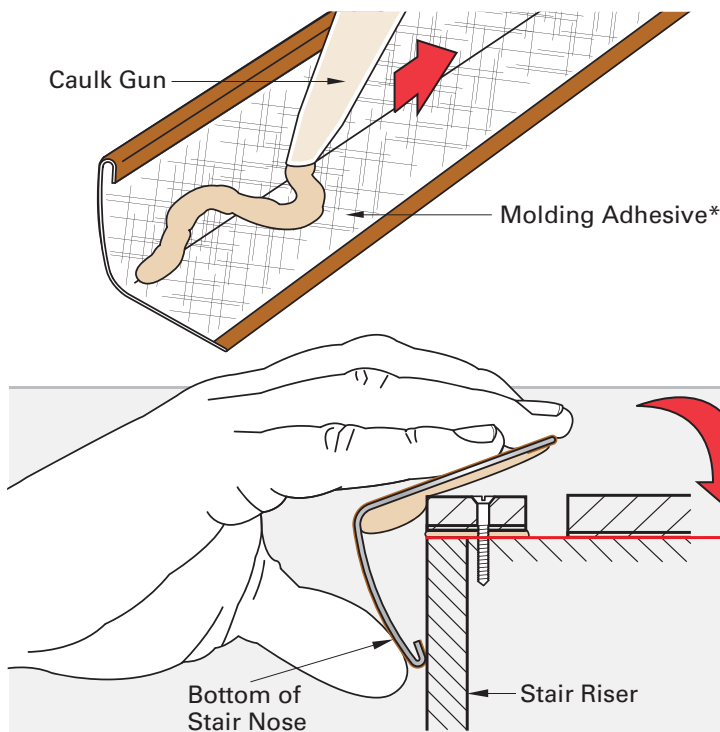
Be sure to NOT put adhesive towards the front of the molding.

Underside of molding generously covered with Molding Adhesive*



Step 4

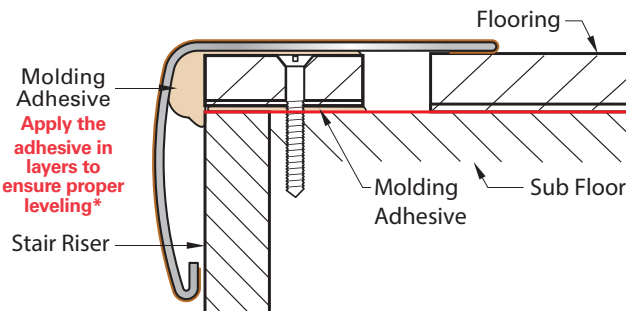
Touch the bottom of molding to the stair riser and carefully roll the stair nose in place. Make any final adjustments before you push the molding all the way down. Once it's in the final position, press down firmly with your hands and make your way down the entire stair nose. It may take 2 or 3 passes to set it firmly in place.



Step 5

Let the Molding Adhesive* cure for at least 4 hours before any walking on it. For exposure to full traffic, wait 24 to 48 hours.

NOTE: Complete cure takes 48 hours.



**RECOMMENDED
BLADES AND
ADHESIVE**

**Carbide Tipped
Cross-Cutting
Blade**



**Versatrim's
Molding
Adhesive***



VersaEdge Extra Tall Stair Nose

Installation on **2 mm** LVT flooring

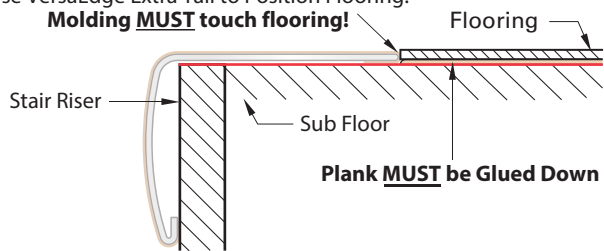
Flooring with an overall thickness of

2
mm

“Flush Lock-Down” Installation

Use VersaEdge Extra Tall to Position Flooring.

Molding MUST touch flooring!



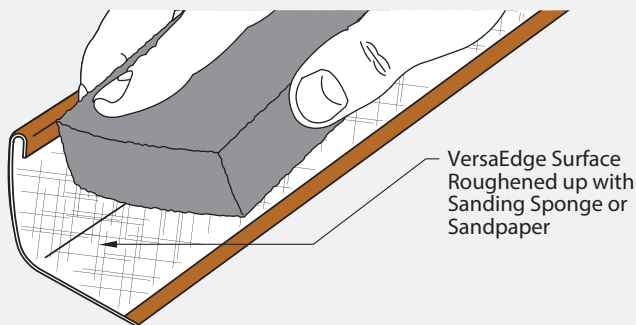
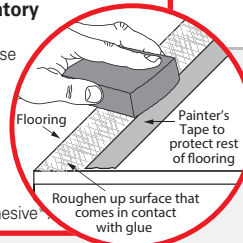
Step 1

Install the riser flush to the stair. Use VersaEdge to determine where to start your flooring. VersaEdge must fit snugly next to plank. Remove VersaEdge and **glue the flooring plank down**. Clean flooring and molding as directed below:

CLEANING PREPARATION FOR BOTH SURFACES

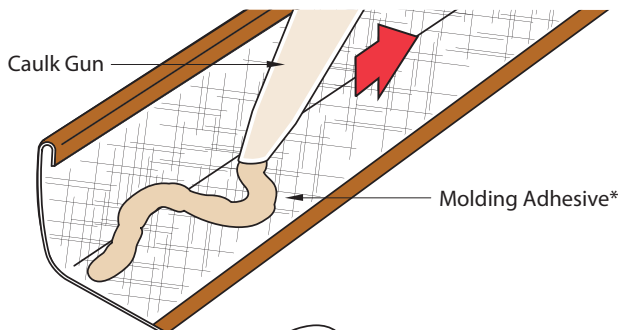
Preparing the floor & molding as outlined is mandatory to achieve the required bonding strength

1. Use a damp cloth (water only) to clean both surfaces of loose particles or surface films.
2. Roughen the surfaces with sandpaper (100-150 grit), sanding sponge or metal brush. For flooring, only roughen up area that will be covered (1.25" to 1.5").
3. Degrease both surfaces to remove all traces of oil, grease, dust, and fingerprints by using a solvent such as methyl ethyl ketone (MEK), acetone or isopropyl alcohol.
4. Let both surfaces dry thoroughly before applying Molding Adhesive



Step 2

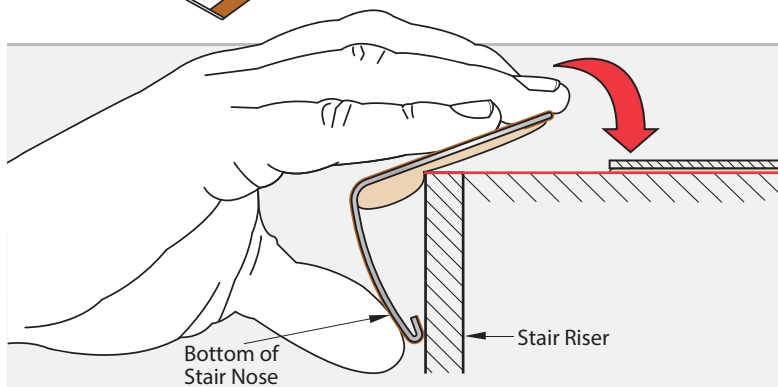
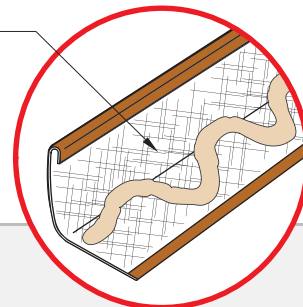
Turn VersaEdge over and roughen the inside surface of the VersaEdge to increase bond by means of 60 grit sandpaper, sanding sponge, or a metal brush.



Step 3

Next, apply a generous bead of a **Versatrim's Molding Adhesive*** along the entire inside corner.

Underside of molding generously covered with Molding Adhesive*



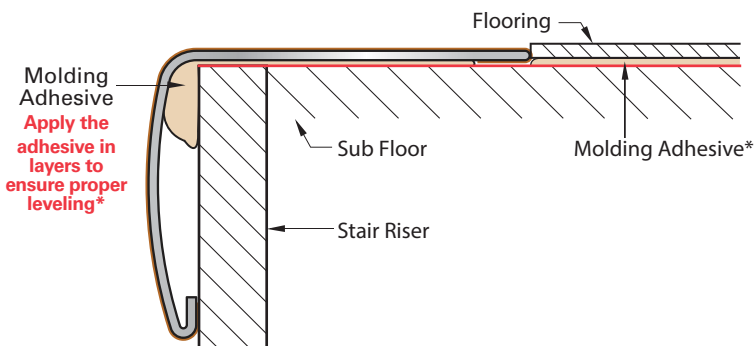
Step 4

Touch the bottom of molding to the stair riser and carefully roll the stair nose in place. Make any final adjustments before you push the molding all the way down. Once it's in the final position, press down firmly with your hands and make your way down the entire stair nose. It may take 2 or 3 passes to set it firmly in place.

Step 5

Allow at least 24 hours for the Adhesive* to form a bond. You should always start at top of stairs and work your way down to avoid contact with the installed moldings until cured.

NOTE: Complete cure takes 48-72 hours.



**RECOMMENDED
BLADES AND
ADHESIVE**

**Carbide Tipped
Cross-Cutting
Blade**



**Versatrim's
Molding
Adhesive***



*Versatrim adhesive is the only molding adhesive you'll need for all flooring trims and moldings. With our advanced anti-shrink formula, you can apply our adhesive in layers to ensure proper leveling in all job applications. For more information, go to: versatrim.com/molding-adhesive.

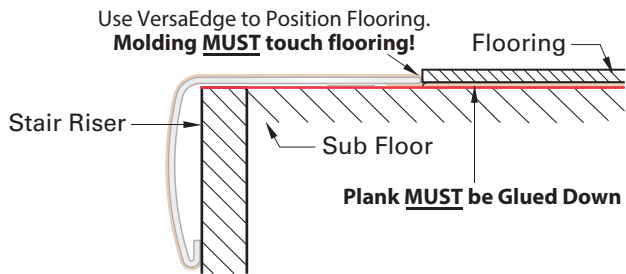
VersaEdge Extra Tall Stair Nose

Installation on **3 mm LVT flooring**

"Flush Lock-Down" Installation

Flooring with an overall thickness of

3 mm



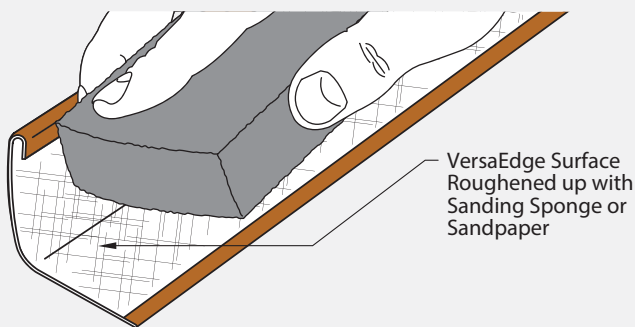
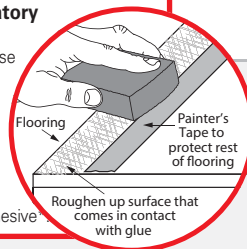
Step 1

Install the riser flush to the stair. Use VersaEdge to determine where to start your flooring. VersaEdge must fit snugly next to plank. Remove VersaEdge and **glue the flooring plank down**. Clean flooring and molding as directed below:

CLEANING PREPARATION FOR BOTH SURFACES

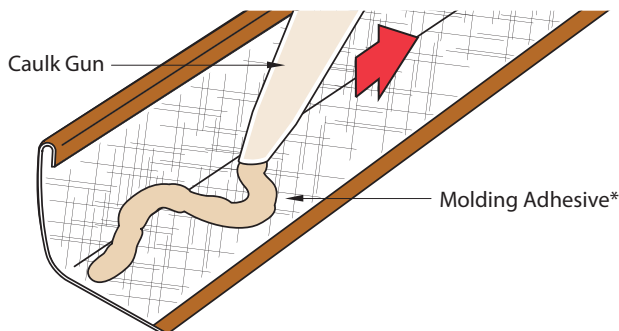
Preparing the floor & molding as outlined is mandatory to achieve the required bonding strength

1. Use a damp cloth (water only) to clean both surfaces of loose particles or surface films.
2. Roughen the surfaces with sandpaper (100-150 grit), sanding sponge or metal brush. For flooring, only roughen up area that will be covered (1.25" to 1.5").
3. Degrease both surfaces to remove all traces of oil, grease, dust, and fingerprints by using a solvent such as methyl ethyl ketone (MEK), acetone or isopropyl alcohol.
4. Let both surfaces dry thoroughly before applying Molding Adhesive.



Step 2

Turn VersaEdge over and roughen the inside surface of the VersaEdge to increase bond by means of 60 grit sandpaper, sanding sponge, or a metal brush.

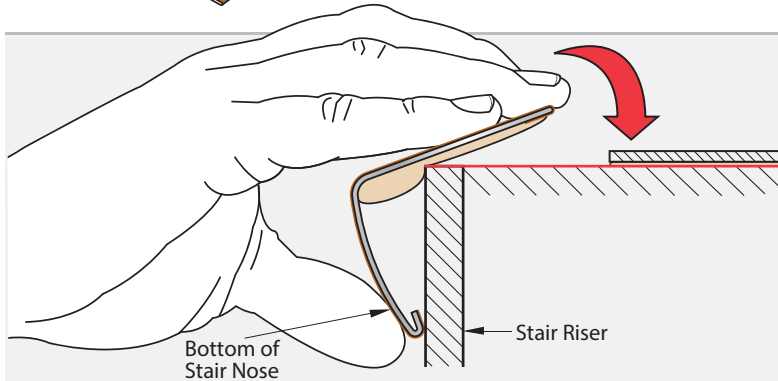
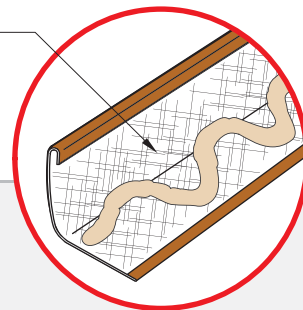


Step 3

Next, apply a generous bead of a **Versatrim's Molding Adhesive*** along the entire inside corner.

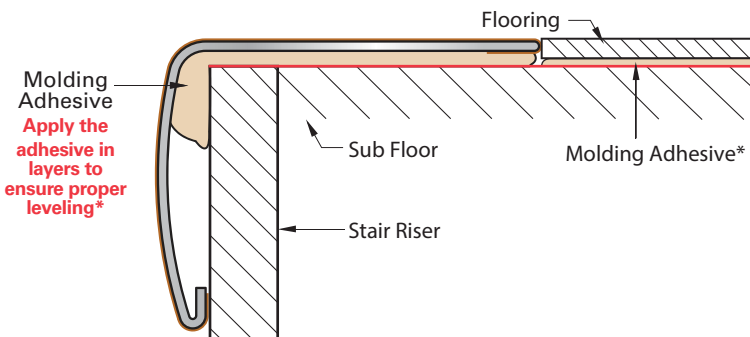
Reveal edge of plank may show when VersaEdge is installed. To compensate, apply a little more adhesive to the molding.

Underside of molding generously covered with Molding Adhesive*



Step 4

Touch the bottom of molding to the stair riser and carefully roll the stair nose in place. Make any final adjustments before you push the molding all the way down. Once it's in the final position, press down firmly with your hands and make your way down the entire stair nose. It may take 2 or 3 passes to set it firmly in place.



Step 5

Allow at least 24 hours for the Adhesive* to form a bond. You should always start at top of stairs and work your way down to avoid contact with the installed moldings until cured.

NOTE: Complete cure takes 48-72 hours.

**RECOMMENDED
BLADES AND
ADHESIVE**

**Carbide Tipped
Cross-Cutting
Blade**



**Versatrim's
Molding
Adhesive***



*Versatrim adhesive is the only molding adhesive you'll need for all flooring trims and moldings. With our advanced anti-shrink formula, you can apply our adhesive in layers to ensure proper leveling in all job applications. For more information, go to: versatrim.com/molding-adhesive.

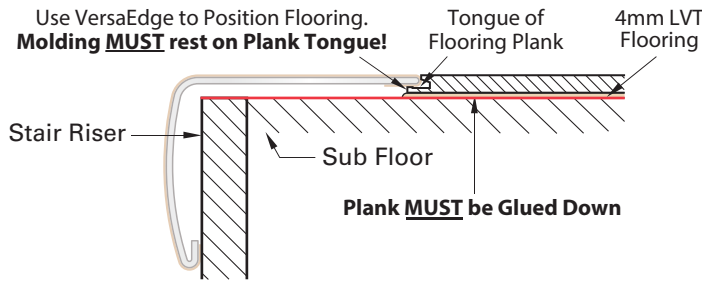
VersaEdge Extra Tall Stair Nose

Installation on **4 mm LVT flooring**

“Flush Lock-Down” Installation

Flooring with an overall thickness of

4 mm



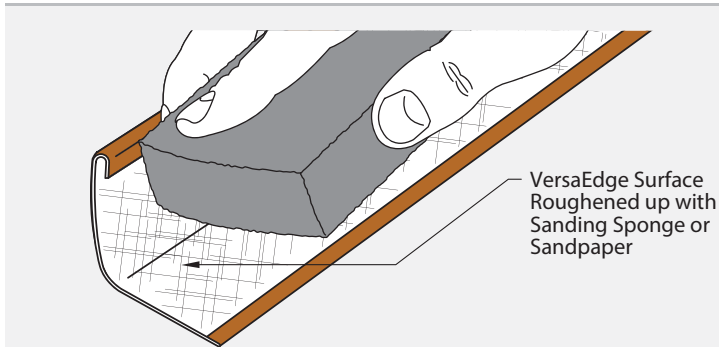
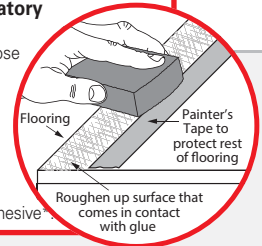
Step 1

Install the riser flush to the stair. Use VersaEdge to determine where to start your flooring. **Tongue side of flooring plank MUST face VersaEdge** so VersaEdge can fit snugly onto Tongue. Remove VersaEdge and **glue the flooring plank down**. Clean flooring and molding as directed below:

CLEANING PREPARATION FOR BOTH SURFACES

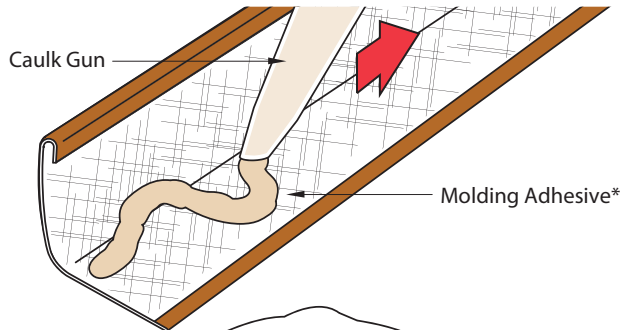
Preparing the floor & molding as outlined is mandatory to achieve the required bonding strength

1. Use a damp cloth (water only) to clean both surfaces of loose particles or surface films.
2. Roughen the surfaces with sandpaper (100-150 grit), sanding sponge or metal brush. For flooring, only roughen up area that will be covered (1.25" to 1.5").
3. Degrease both surfaces to remove all traces of oil, grease, dust, and fingerprints by using a solvent such as methyl ethyl ketone (MEK), acetone or isopropyl alcohol.
4. Let both surfaces dry thoroughly before applying Molding Adhesive.



Step 2

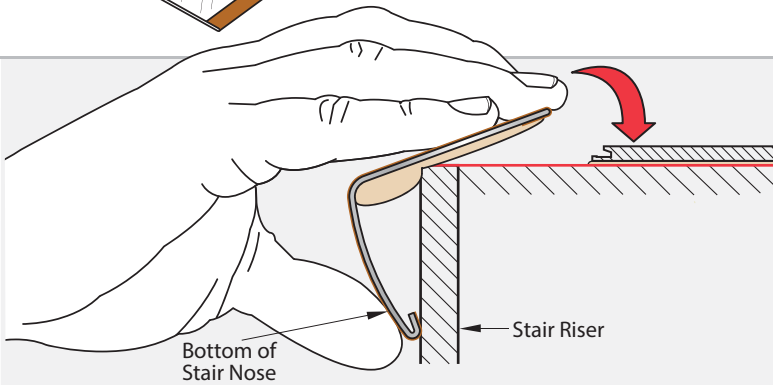
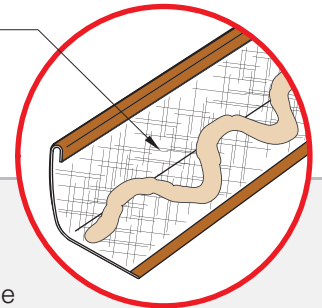
Turn VersaEdge over and roughen the inside surface of the VersaEdge to increase bond by means of 60 grit sandpaper, sanding sponge, or a metal brush.



Step 3

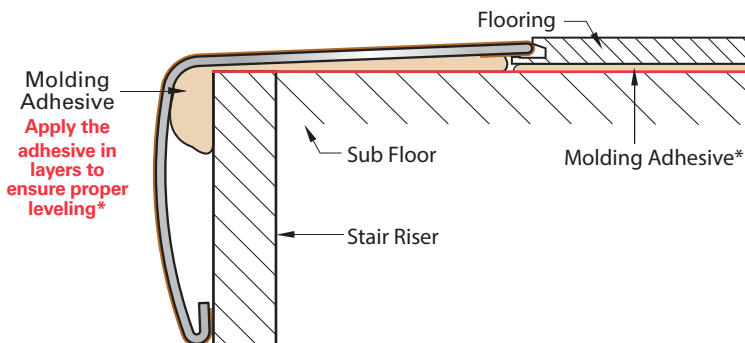
Next, apply a generous bead of a **Versatrim's Molding Adhesive*** along the entire inside corner. Reveal edge of plank may show when VersaEdge is installed. To compensate, apply a little more adhesive to the molding.

Underside of molding generously covered with Molding Adhesive*



Step 4

Touch the bottom of molding to the stair riser and carefully roll the stair nose in place. Make any final adjustments before you push the molding all the way down. Once it's in the final position, press down firmly with your hands and make your way down the entire stair nose. It may take 2 or 3 passes to set it firmly in place.



Step 5

Allow at least 24 hours for the Adhesive* to form a bond. You should always start at top of stairs and work your way down to avoid contact with the installed moldings until cured.

NOTE: Complete cure takes 48-72 hours.

RECOMMENDED BLADES AND ADHESIVE

Carbide Tipped Cross-Cutting Blade



Versatrim's Molding Adhesive*



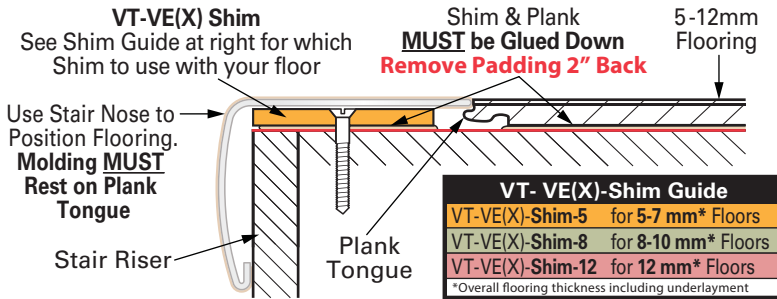
*Versatrim adhesive is the only molding adhesive you'll need for all flooring trims and moldings. With our advanced anti-shrink formula, you can apply our adhesive in layers to ensure proper leveling in all job applications. For more information, go to: versatrim.com/molding-adhesive.

VersaEdge Extra Tall Stair Nose

Flush "Lock-Down" Installation

Flooring with an overall thickness of

5-12
mm



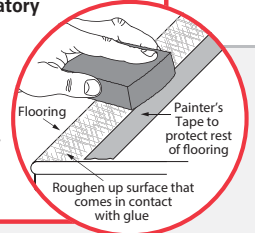
Step 1

Install the riser flush to the stair. Use VersaEdge & shim to determine where to start your flooring. **Tongue side of flooring plank MUST face VersaEdge** so VersaEdge can fit snugly onto Tongue. Remove VersaEdge and **glue the flooring plank & shim down. Remove padding 2" back** from plank before you glue it down. Clean flooring & molding:

CLEANING PREPARATION FOR BOTH SURFACES

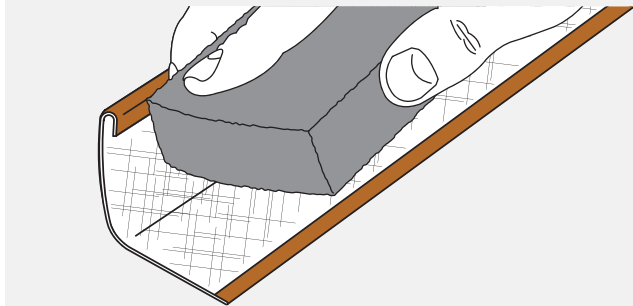
Preparing the floor & molding as outlined is mandatory to achieve the required bonding strength

1. Use a damp cloth (water only) to clean both surfaces of loose particles or surface films.
2. Roughen the surfaces with sandpaper (100-150 grit), sanding sponge or metal brush. For flooring, only roughen up area that will be covered (1.25" to 1.5").
3. Degrease both surfaces to remove all traces of oil, grease, dust, and fingerprints by using a light solvent such as isopropyl alcohol (Refer to the manufacturer's recommendations for additional safe cleaning agents).
4. Let both surfaces dry thoroughly before applying adhesive.



Step 2

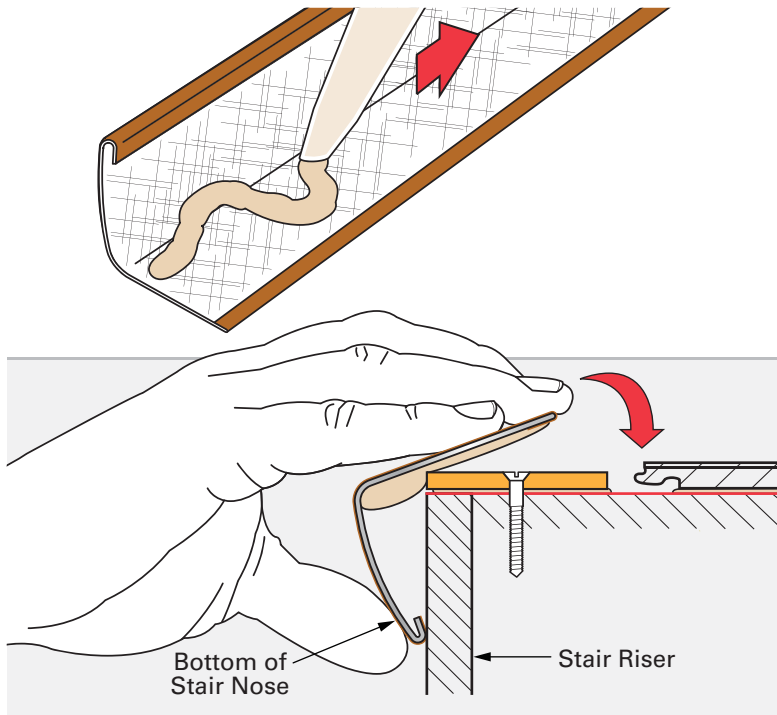
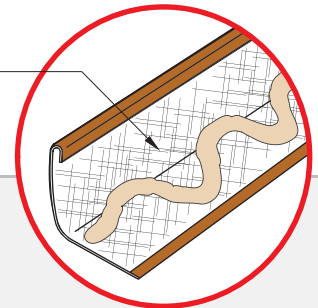
Turn VersaEdge over and roughen the inside surface of the VersaEdge to increase bond by means of 60 grit sandpaper, sanding sponge, or a metal brush.



Step 3

Next, apply a generous bead of a **Versatrim's Molding Adhesive*** along the entire inside corner. Reveal edge of plank may show when VersaEdge is installed. To compensate, apply a little more adhesive to the molding.

Underside of molding generously covered with Molding Adhesive*



Step 4

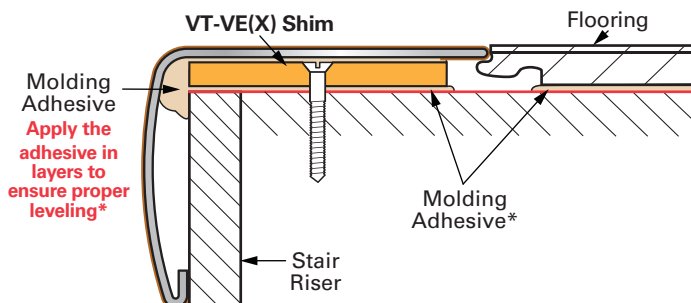
Touch the bottom of molding to the stair riser and carefully roll the stair nose in place. Make any final adjustments before you push the molding all the way down. Once it's in the final position, press down firmly with your hands and make your way down the entire stair nose. It may take 2 or 3 passes to set it firmly in place.

Step 5

Allow at least 24 hours for the Adhesive* to form a bond.

You should always start at top of stairs and work your way down to avoid contact with the installed moldings until cured.

NOTE: Complete cure takes 48-72 hours.



RECOMMENDED
BLADES AND
ADHESIVE

Carbide Tipped
Cross-Cutting
Blade



Versatrim's
Molding
Adhesive*

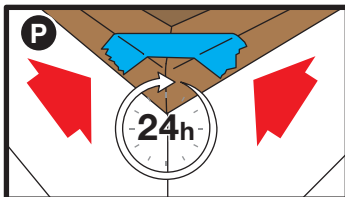
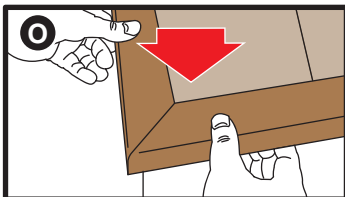
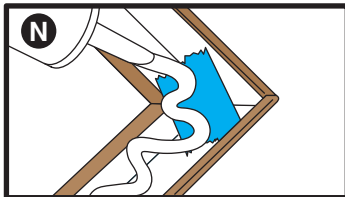
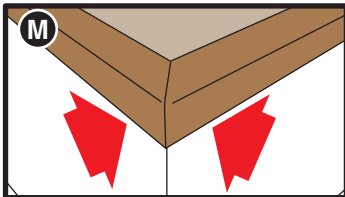
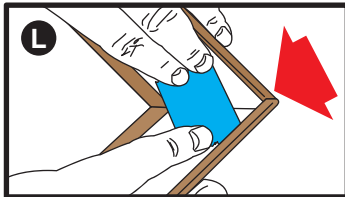
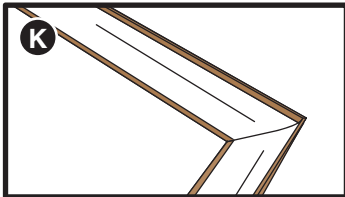
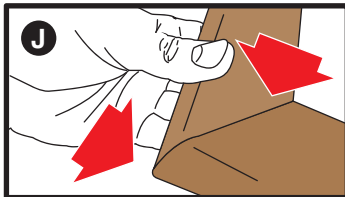
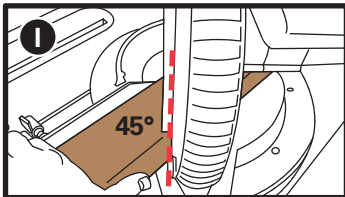
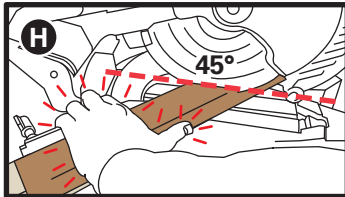
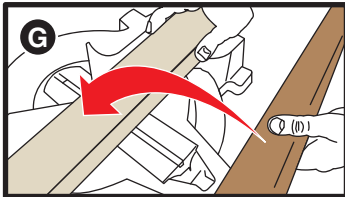
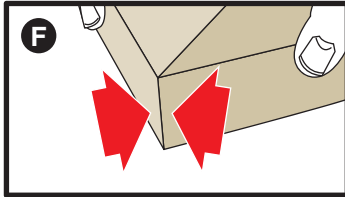
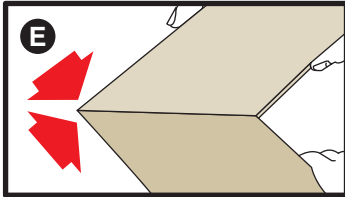
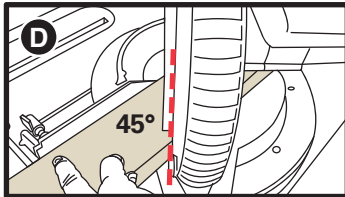
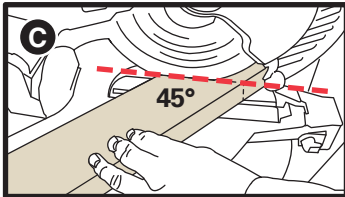
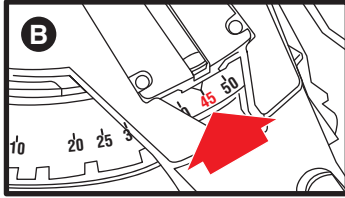
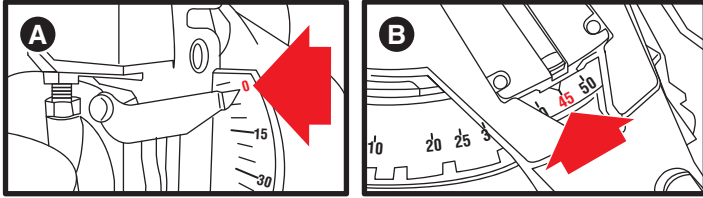


*Versatrim adhesive is the only molding adhesive you'll need for all flooring trims and moldings. With our advanced anti-shrink formula, you can apply our adhesive in layers to ensure proper leveling in all job applications. For more information, go to: versatrim.com/molding-adhesive.

VersaEdge Extra Tall Stair Nose

MITER CUT INSTALLATION

IMPORTANT: Make sure to use safety goggles and thick gloves while using saw and handling the blade



We recommend using a compound miter saw fitted with a carbide tipped cross blade (60 or 80 teeth, ATB) for cutting the aluminum VersaEdge Extra Tall molding.

Use the 2x4 miter sample to see if your stair is a true 90 degree corner, often they are not, and you will have to adjust your miter cut by increasing or decreasing your angle accordingly, just make sure you are cutting both pieces with the exact same angle, otherwise your cuts will not line up!!!

STEP 1 - MAKE TEST CUTS ON SCRAP 2x4

IMPORTANT: Make sure the bevel angle is set to ZERO (A).

We highly recommend you do a test cut on 2 scrap pieces of 2x4 to make sure your cuts line up. Set the miter angle to 45 degrees for the first cut (B). Cut the 2x4 (C).

Then change angle of miter cut to 45 degrees in the other direction (D). Cut the other piece of 2x4.

Line up ends of the 2x4s to form a corner (E). Check the pieces to see if they line up correctly with **no gap** on the top or front view (F).

STEP 2 - CUT YOUR VERSAEDGE EXTRA TALL (VEX)

IMPORTANT: Use a scrap 2x4 piece to set VEX on while you make the cuts (G). This will keep the VEX level while you cut.

Set the miter angle to 45 degrees. Make your cut (H).

IMPORTANT: Hold the molding extremely tight, otherwise it will pull in the direction of the blade and your cut will be off

Change miter angle to 45 degrees in the other direction (I). Again, **make sure you hold the molding extremely tight. Don't let it move while you make the cut.** Cut the other piece of VEX.

Check the 2 molding pieces to see if they line up correctly with **no gap** on the top or front view (J).

STEP 3 - APPLYING VEX TO THE STAIRS

After wiping the VEX clean from debris, turn the moldings over (K).

Line up the ends of the moldings to form a corner. Place a piece of painter's tape between them to hold them together so you can test the fit (L).

Test the fit on your stairway. Make sure there is no gap between the moldings (M).

After you test the fit, run a thick line of **Versatrim's Molding Adhesive*** along the inside of each molding (N).

Put the molding in place, pressing down firmly to make sure it is in contact with the floor or stair tread (O). Make sure the edge is square.

While pressing both ends firmly together, stretch a piece of painter's tape tightly across the corner edge to keep the moldings from separating while the adhesive cures (P). Let the adhesive cure for at least 4 hours before any walking on it. **For exposure to full traffic, wait 24-48 hours. NOTE: Complete cure takes 48 hrs.**

RECOMMENDED
BLADES
AND
ADHESIVE

Carbide Tipped
Cross-Cutting
Blade



Versatrim's
Molding
Adhesive*



* For more information, go to: versatrim.com/molding-adhesive