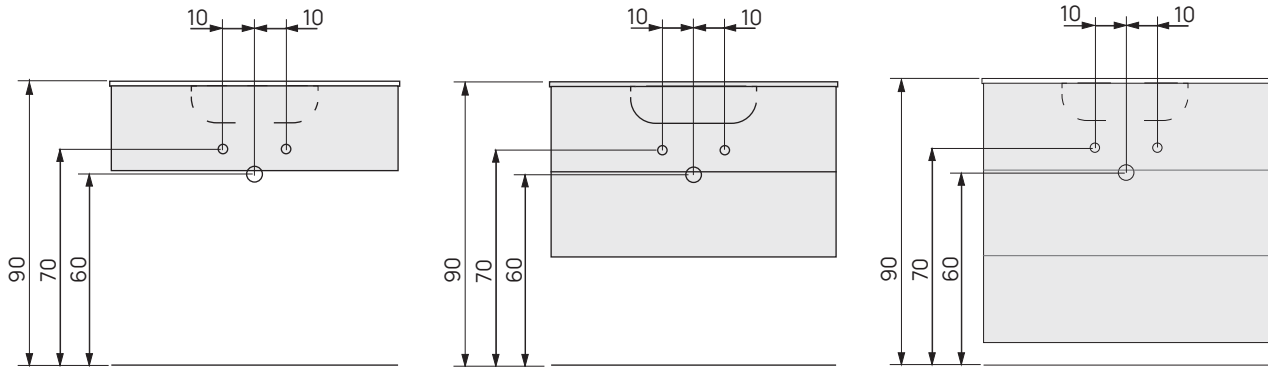


INSTALLATION MANUAL

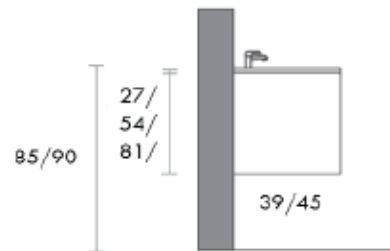
- 01 Technical installation dimensions
- 02 Decospace system installation
- 03 Installation of wall hung vanity
- 04 Installation of wall mounted countertops / skirt
- 05 Adjustment and regulation of Push or soft close doors
- 06 Adjustment of Hettich drawer
- 07 Installation of Columns / Cabinets / Camerinos
- 08 Installation of mirrors and mirror light
- 09 Maintenance and care

01 Technical installation dimensions



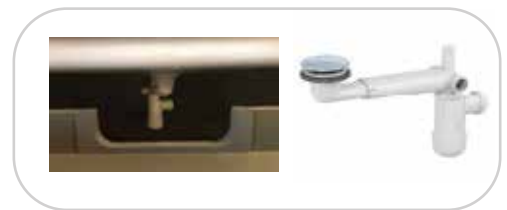
Vanity with a height of 27 and 35cm does not support the Decospace System.

Recommended technical dimensions for the installation of suspended furniture.

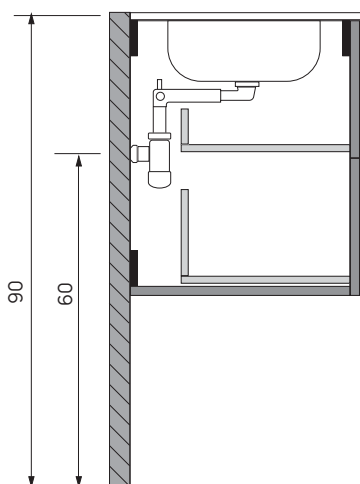


02 Decospace system installation

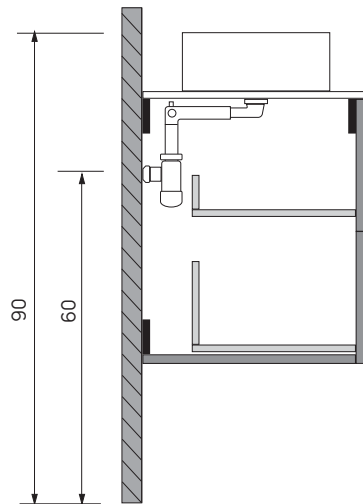
Your vanity is equipped with the Decospace system in the Atelier Range. Extra in the Play range.



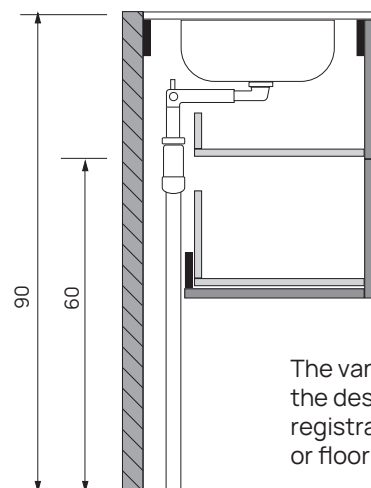
With integrated countertop



With sink countertop

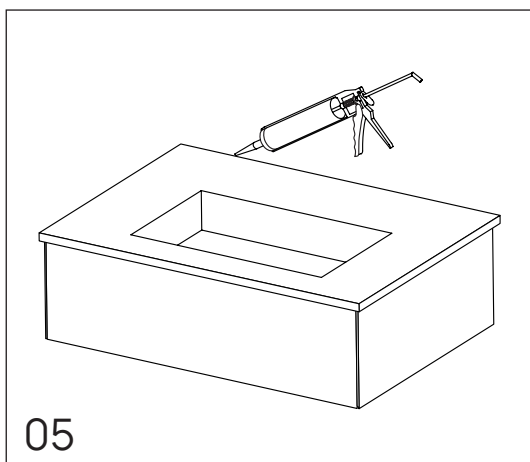
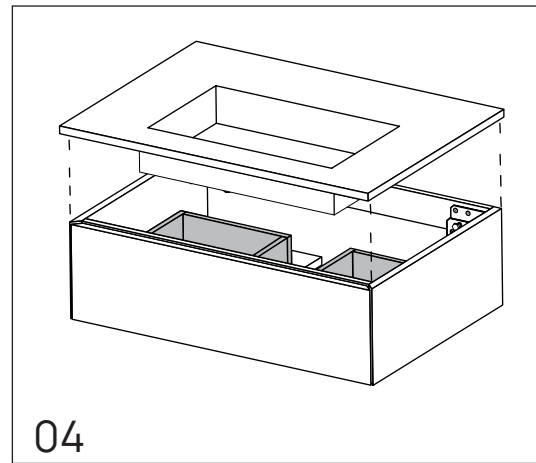
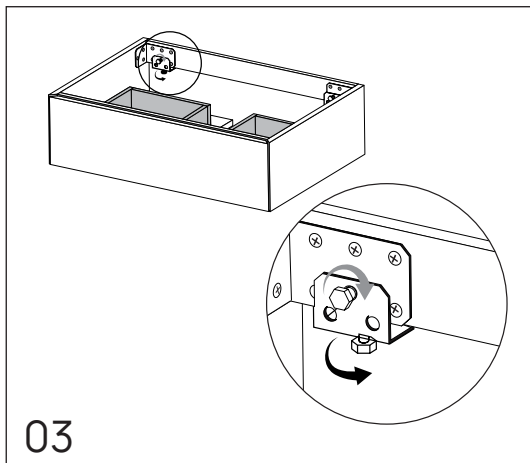
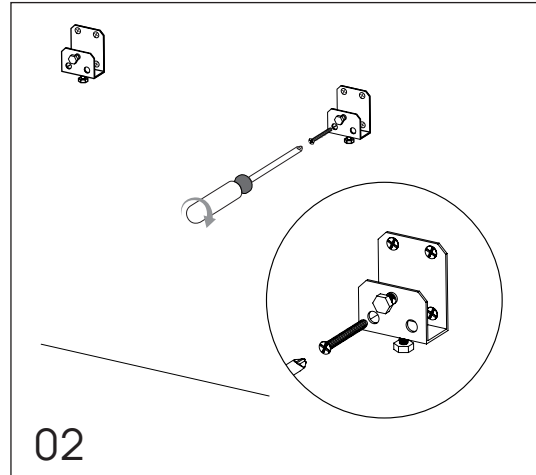
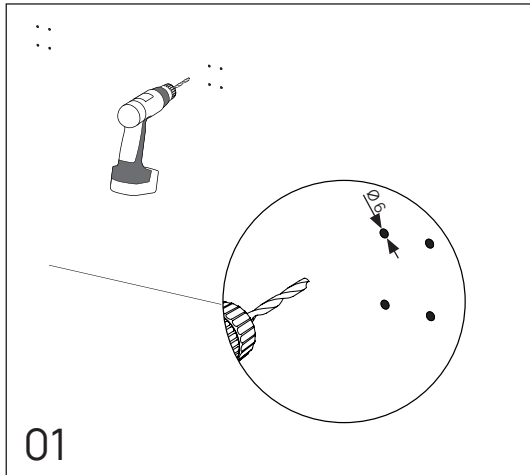


With sanitary registration



The vanities carries the desired sanitary registration for the wall or floor location.

03 Installation of wall hung vanity



01 Drill holes in the wall to install the Decofix System in the next step.

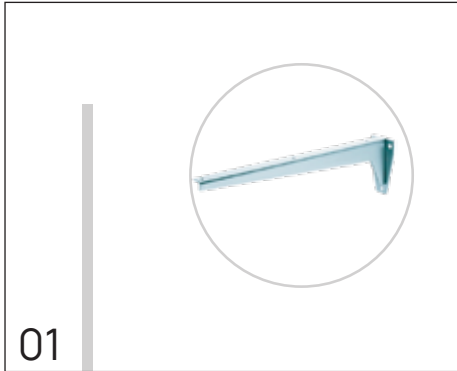
02 Screw the Decofix System to the wall.

03 Adjust the position screwing the screws.

04 Put the worktop on the main body.

05 Put a layer of silicone where worktop and wall join.

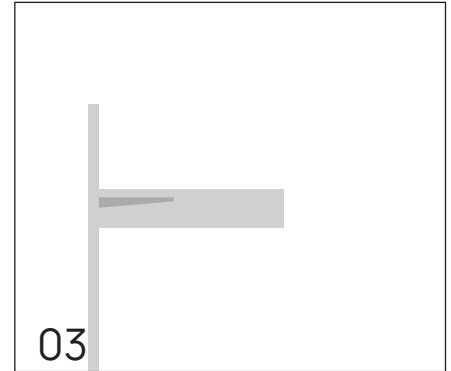
04 Installation of wall mounted countertops / skirt



Place the brackets on the wall at a height of 88cm. (for a total height of the countertop of 90cm).

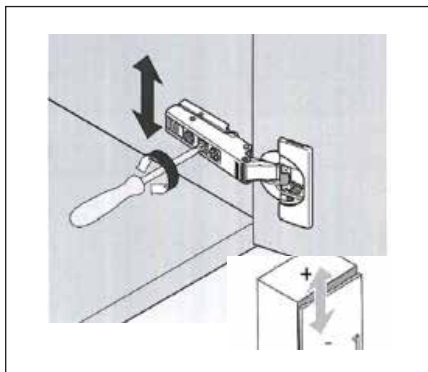


Place the countertop on the supports and fix it with a silicone dot. In the case of wooden countertops, screw directly.

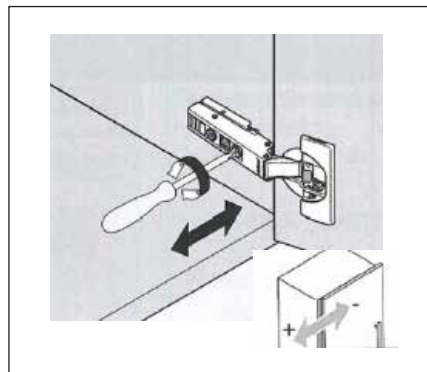


Seal the joint between the countertop and the wall with silicone.

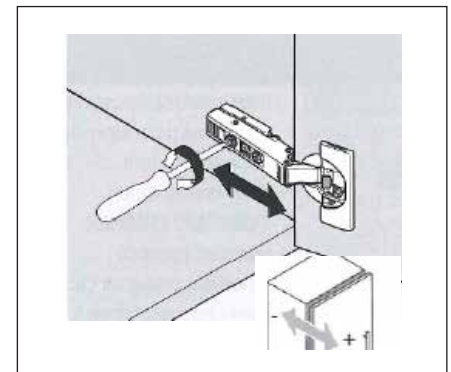
05 Adjustment and regulation of Push or soft close doors



Height adjustment



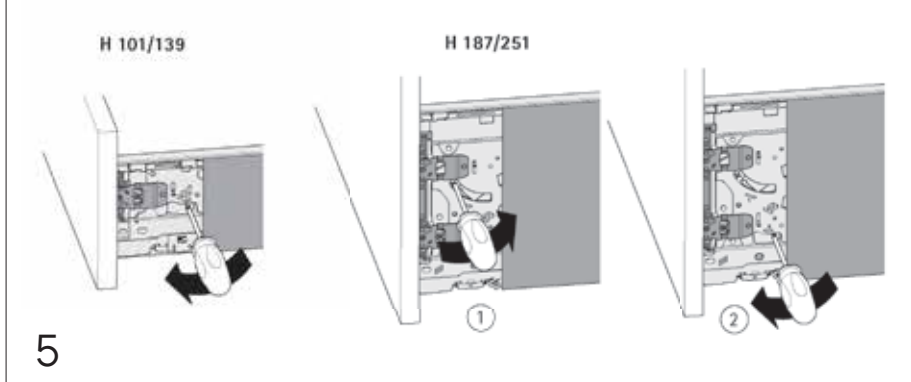
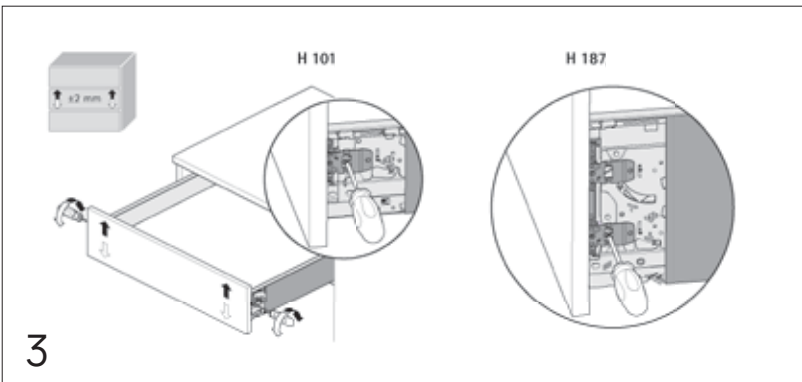
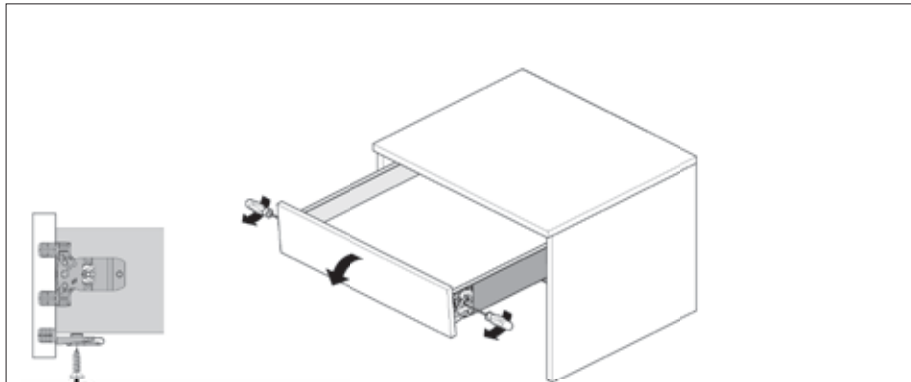
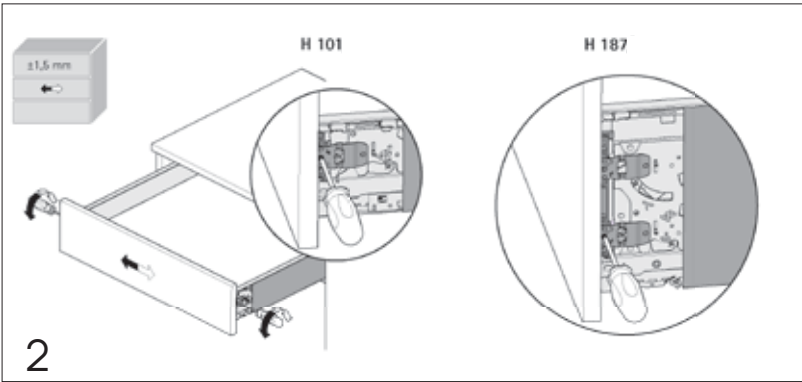
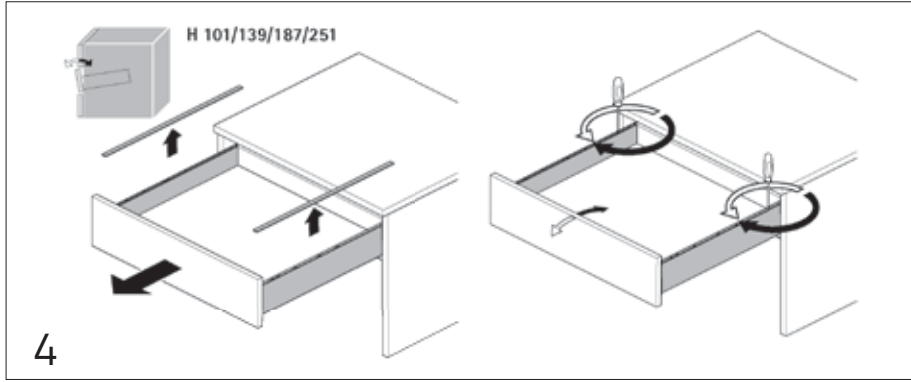
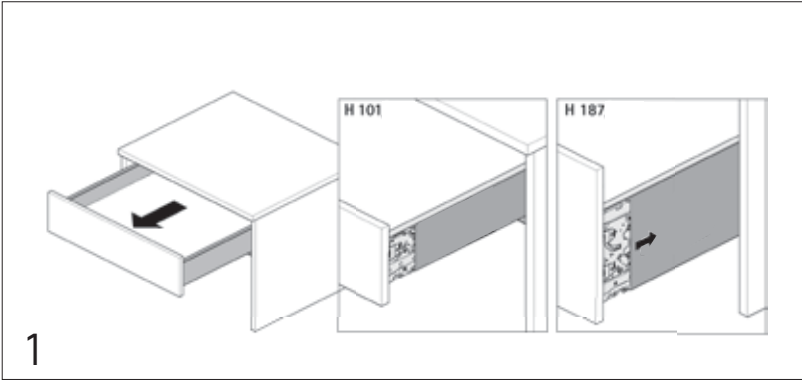
Side adjustment



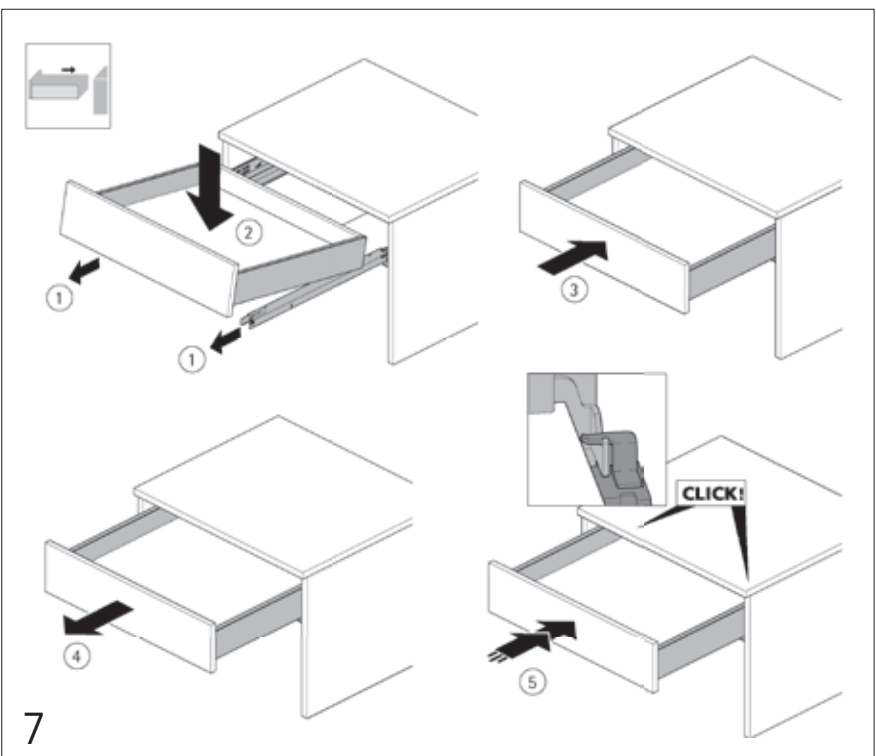
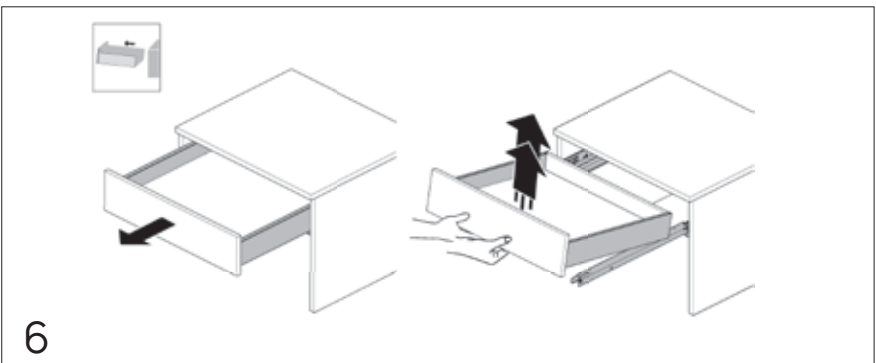
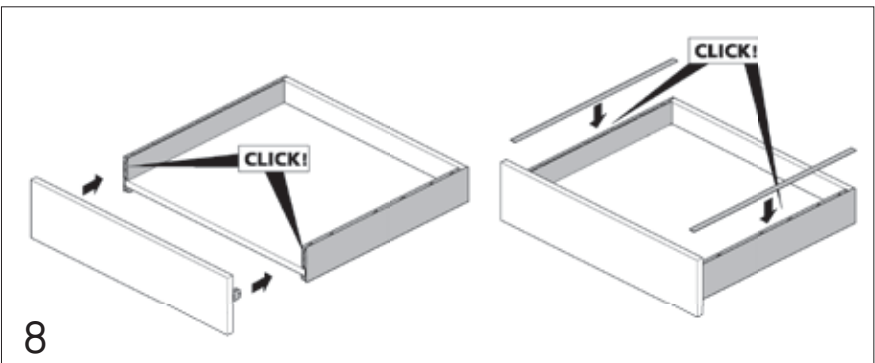
Depth adjustment

06 Adjustment of Hettich drawer - Avantech you

06 Adjustment of Hettich drawer - Avantech you

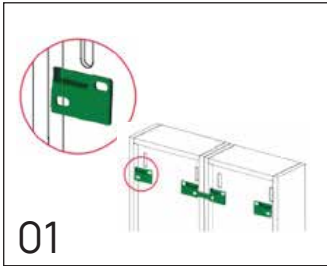


06 Adjustment of Hettich drawer - Avantech you



06 Adjustment of Hettich drawer - Avantech you

07 Installation of Columns / Cabinets / Camerinos

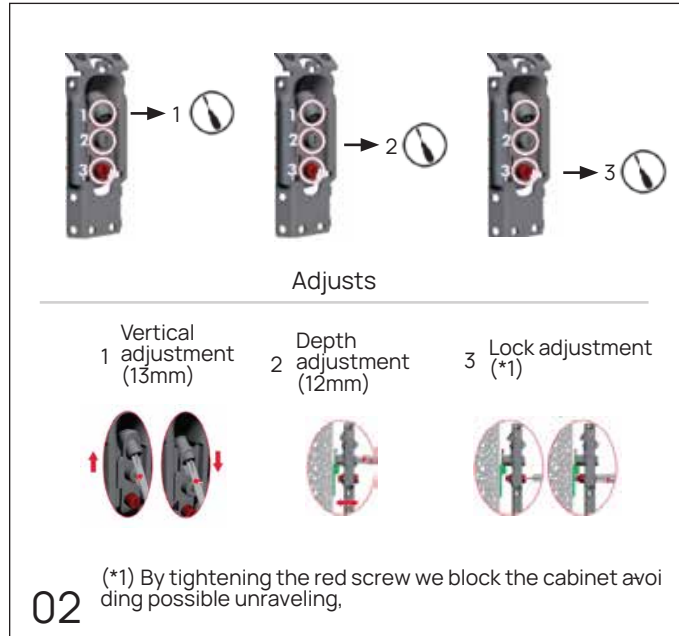


01

Screw plates.

Screw the plates into the wall at a height of 8cm. lower than the desired height for the furniture installation.

The width between the plates must be equal to the inside of the cabinet hull on the rear.



02

Adjusts

1 Vertical adjustment (13mm)

2 Depth adjustment (12mm)

3 Lock adjustment (*1)

(*1) By tightening the red screw we block the cabinet avoiding possible unraveling.



03

Insert the trim.

08 Installation of mirrors and mirror light

Each mirror and wall light carries the installation manual inside its packaging.

The lighting components, bulbs and transformers are consumables and are exempt from warranty.



09 Maintenance and care

Vanity / lacquer

To keep clean the lacquered surface it is recommended to use a soft cotton cloth moistened with water. For a thorough cleaning, use solvent free glass cleaners and then dry it with a soft cloth

Countertops / marble

To clean marble parts it is only needed to use neutral pH detergent. Avoid using glass cleaners, generic detergents or any other product not specifically labeled to be used on marble surfaces.

Metallic parts

It is strongly recommended to begin using a damp cloth and then dry it carefully with a soft cloth.

Mirrors

Use glass cleaner with a soft cloth.

Lighting

Cleaning with a soft cloth.