

VANITY

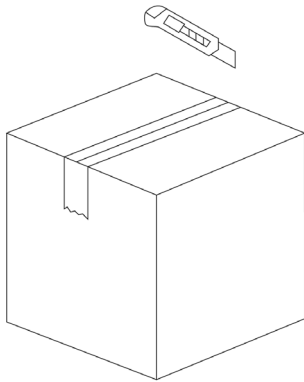
INSTALLATION GUIDE

UNPACKING THE VANITY

To avoid scratches, scuffs, and other damages, do not assemble your vanity directly on the floor. Place a sheet of cardboard or another protective surface on the floor, and assemble your vanity on top of it. Always protect all surfaces from sharp objects, high heat sources, direct prolonged sunlight, and harsh chemicals. Professional installation is recommended.

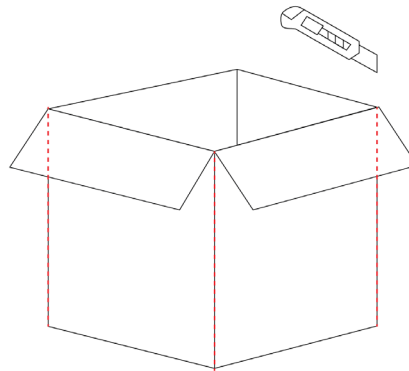
01

Open the top of the box and remove any loose items.



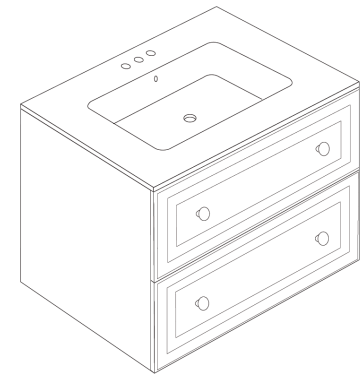
02

If there is proper packing on the corners cut down the edges. This will allow you to access the vanity.



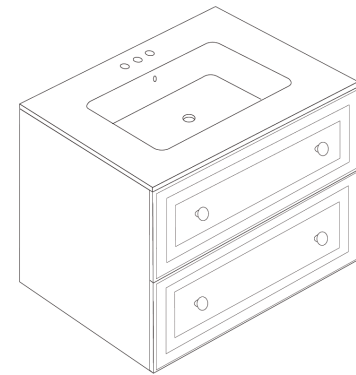
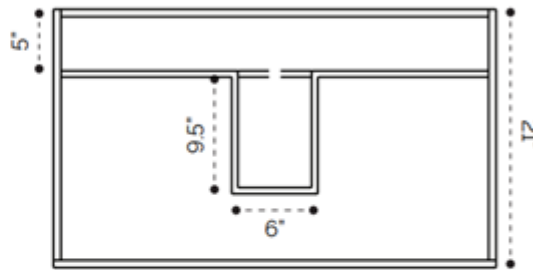
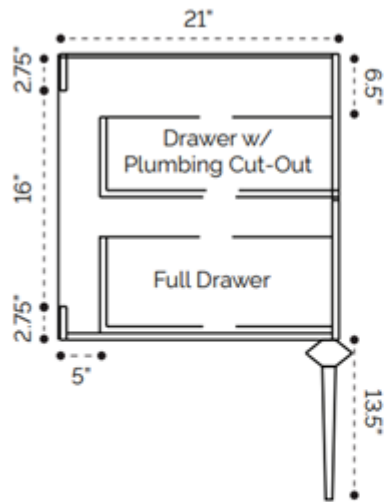
03

Check the vanity for any shipping damage. Note that the vanity top may have been shipped separately.



LOCATING YOUR PLUMBING CUTOUT

Review the dimensions and plumbing cutout of your Alma vanity to determine the necessary plumbing layout and blocking height.



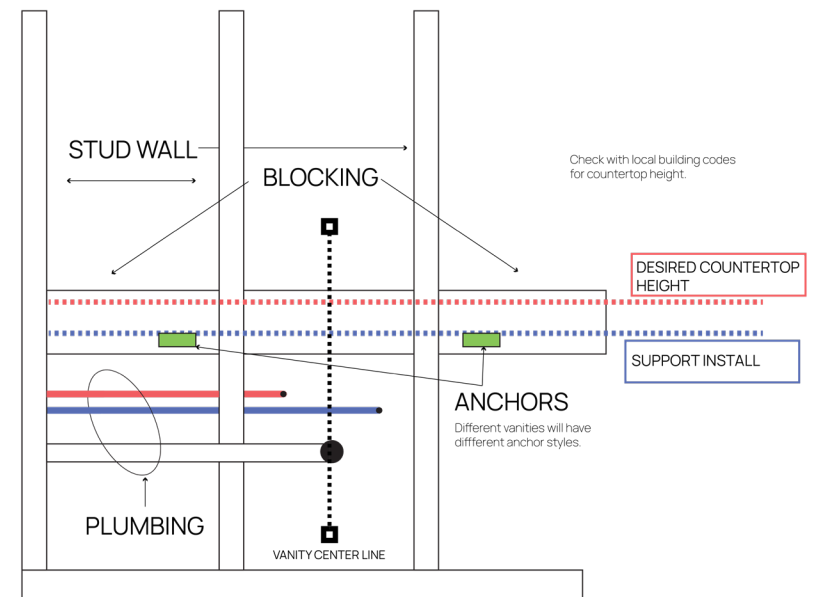
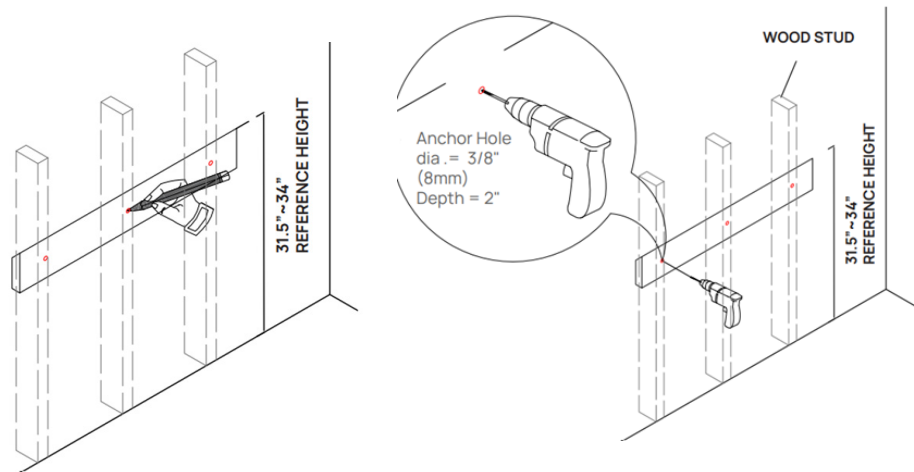
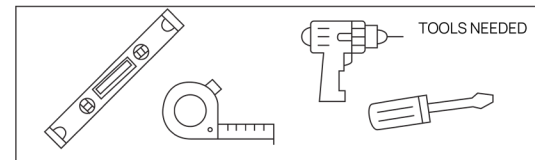
* Note: Legs are merely decorative and installation is optional.

PREPARING THE WALL FOR A FLOATING VANITY INSTALLATION

The information below may differ depending on the type of vanity that you have received.

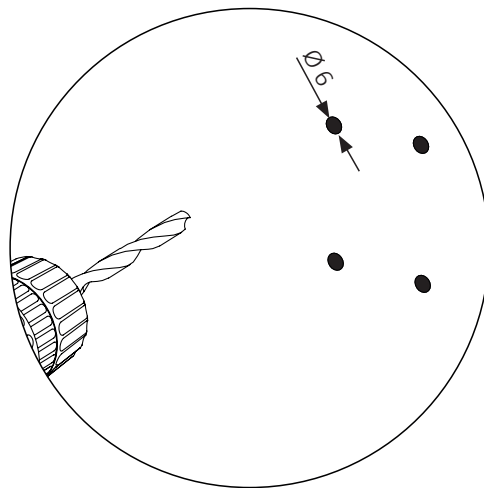
Determine the desired overall hanging height/top of counter height.

Ensure that there is proper support in the wall to accommodate the supplied hanging mechanism.



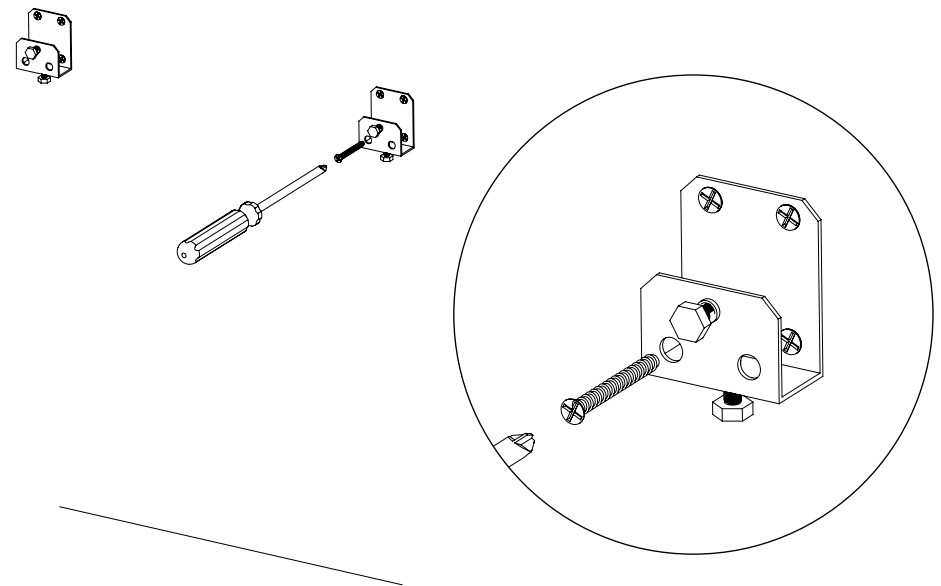
INSTALLING WALL BRACKETS

01



- Drill holes in the wall to install the Decofix System in the next step.

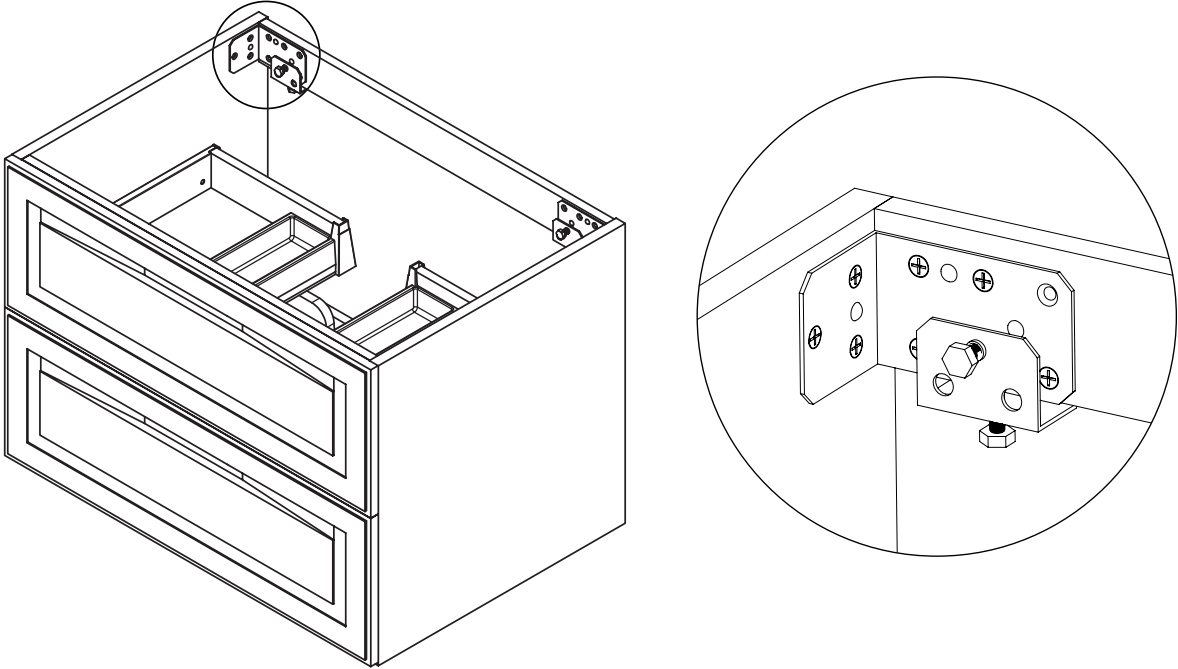
02



- Screw the Decofix System to the wall.

INSTALLING WALL BRACKETS

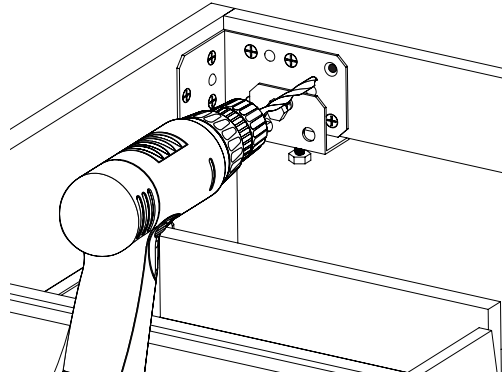
03



- Adjust the position screwing the screws.

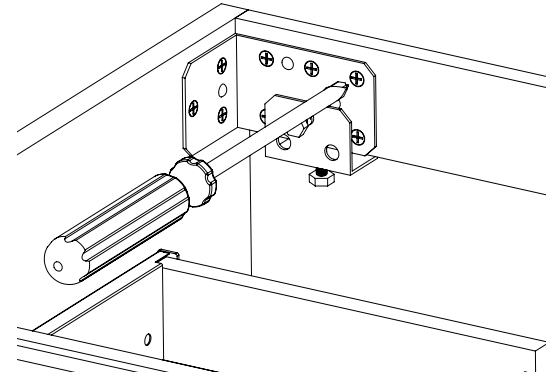
INSTALLING WALL BRACKETS

04



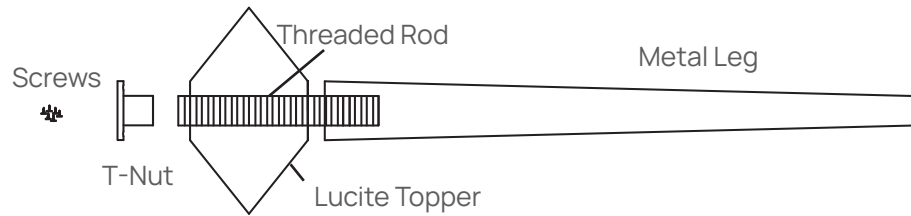
- Drill an extra hole using the Decofix System as a guide to bring major strength to the union.

05

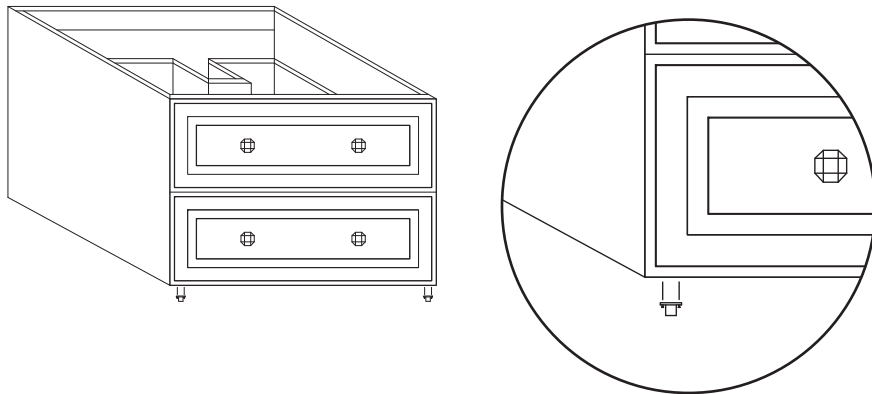


- Screw the main body to the wall in order to bring more security to the installation.

LEG INSTALLATION (OPTIONAL)

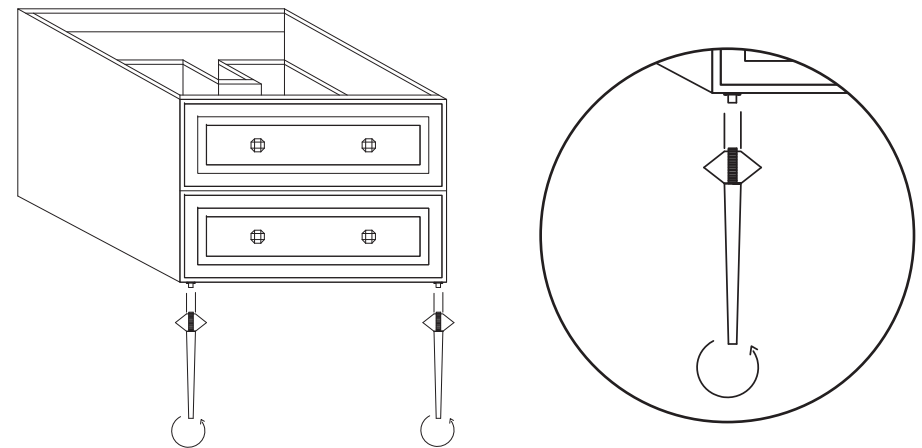


STEP 1



- Remove T-nut from assembled leg in box.
- Attach T-nut to the base of the vanity as shown.

STEP 2



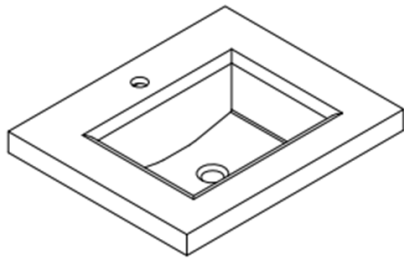
- Attach the assembled leg to the t-nut.
- To tighten, hold the lucite topper in place & rotate the leg.
- Installation complete.

* Legs are decorative only and do not offer any free standing support. Vanity must be properly mounted to the wall as shown in this guide.

INSTALLING YOUR COUNTERTOP

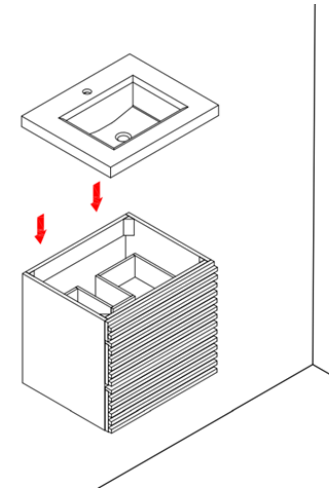
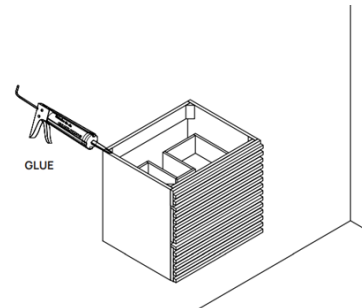
01

Check your top to make sure that it meets your expected quality.



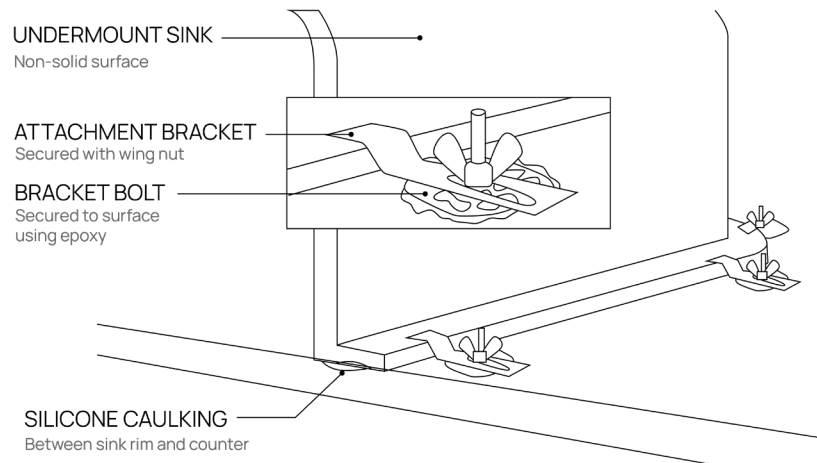
02

Secure top. For undermount sinks- Attach the clips (if provided) and secure the sink to the counter. NOTE some tops will ONLY use a silicone as the adhesive.



03

Apply silicone to the vanity and apply counter.



04

Attach anchors if applicable.

